

# HDMI CONNECTOR FEMALE

| REV. | BCN NO. | MODIFY MATTER         | DATE | APPROVED |
|------|---------|-----------------------|------|----------|
| A    |         | RELEASE TO PRODUCTION |      |          |

### SPECIFICATIONS:

- ELECTRICAL CHARACTERISTICS
  - CURRENT RATING: 0.5 AMP
  - VOLTAGE RATING: 40 V
  - CONTACT RESISTANCE: 30MILLIOHMS MAX
  - INSULATION RESISTANCE: 100M MIN. @ 500V DC
  - DIELECTRIC WITHSTANDING VOLTAGE: 500V AC FOR 1 MINUTE
- MECHANICAL CHARACTERISTICS:
  - INSERTION FORCE : 4.5KGF MAX.
  - WITHDRAWING FORCE : 1KGF ~ 4KGF.
- LIFE TEST: 10000 CYCLES
- OPERATING TEMPERATURE: -45°C TO +105°C
- PART NO. DESCRIPTION:
- P/N

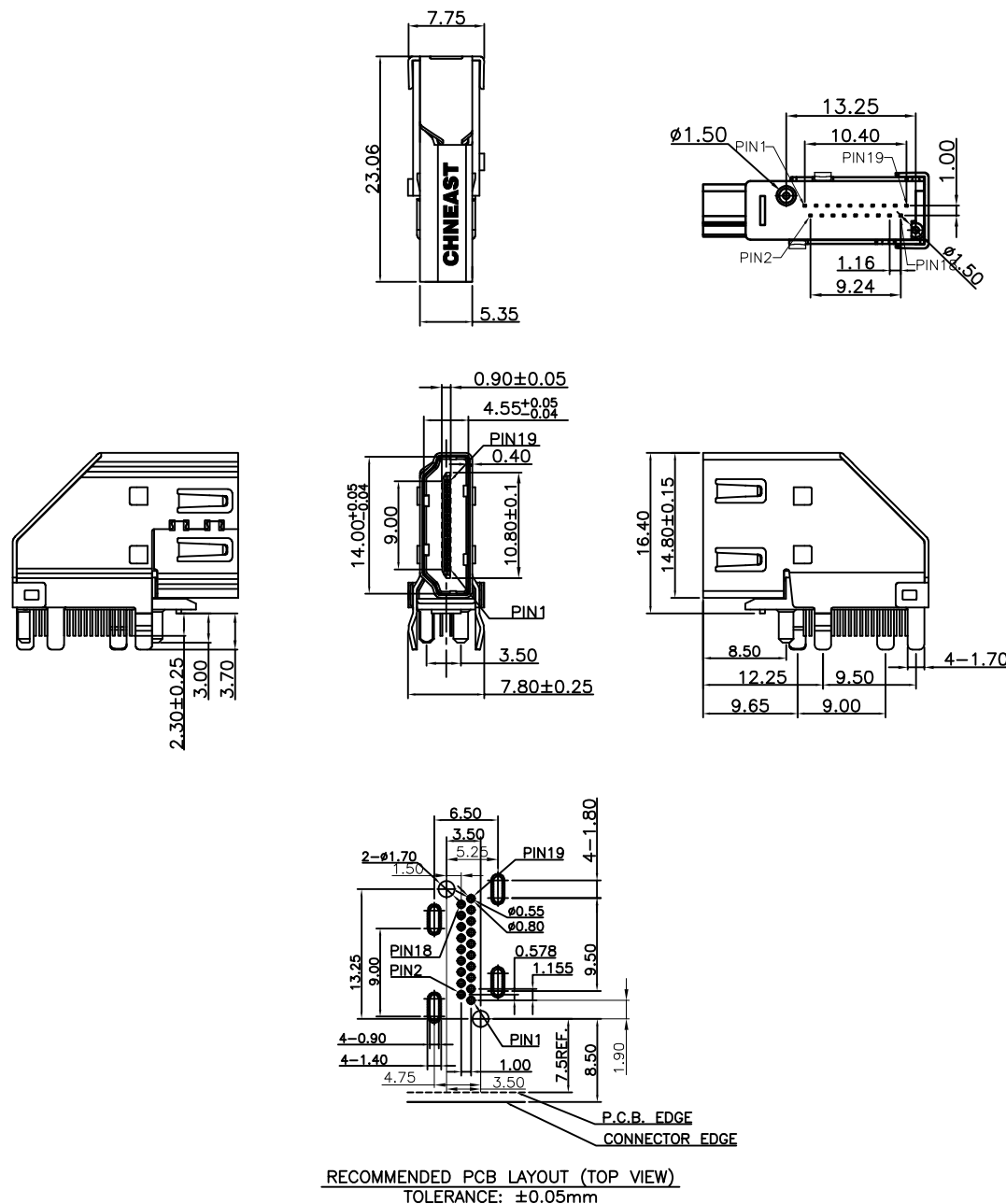
EAST-HD6630X0002

### TERMINAL PLATING CODE:

- A: CONTACT AREA: GOLD FLASH  
SOLDER AREA: MATTE TIN 100u"
- B: CONTACT AREA: 5u" GOLD  
SOLDER AREA: MATTE TIN 100u"
- 1: CONTACT AREA: GOLD FLASH  
SOLDER AREA: GOLD FLASH

|    |           |     |   |
|----|-----------|-----|---|
| C  | SHELL     | 1   | C2680R-H Ni 50u" T=0.4mm PLATING ALL OVER |
| B  | TERMINAL  | 19  | C2680R-H,T=0.2±0.02mm                     |
| A  | HOUSING   | 1   | LCP E130i UL94V-0 BLACK                   |
| NO | PART NAME | QTY | MATERIAL PLATING & COLOR                  |

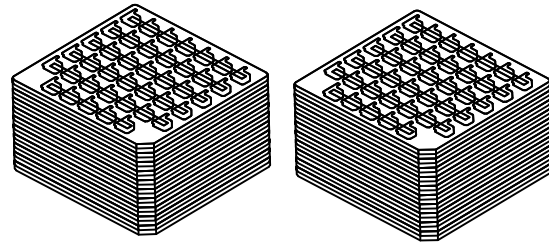
|   |  |               |  |  |            |
|---|--|---------------|--|--|------------|
| TOLERANCES UNLESS OTHERWISE SPECIFIED:<br>X. —<br>X.X ± 0.38<br>X.XX ± 0.25<br>X.XXX ± 0.10<br>Angle ± 1° |  | COSTOMER COPY |  | <b>深圳市东方御业科技有限公司</b><br>WWW.DFYCONN.COM TEL:0755-27155560  |            |
| DRAWN: CHENLEI  |  | 2017/09/10    |  | TITIAL: HDMI 侧插铜壳镀镍两K脚两直脚 两K脚边距7.80 针长2.3,端子半金雾锡1u" (RoHS) |            |
| CHECKED: CHENLEI  |  | 2017/09/10    |  | PART NO: EAST-HD6630X0002                                  |            |
| APPROVED: QINKAIXING  |  | 2017/09/10    |  | UNIT: mm   | SCALE: N/A |
|   |  |               |  | SHEET: 1:1   | REV.       |



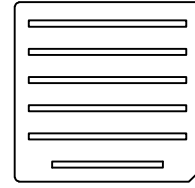
THESE DRAWING AND SPECIFICATION ARE THE PROPERTY OF Shenzhen Dongfangyue ELECTRONIC CO., LTD., SHALL NOT BE REPRODUCED.

| REV. | BCN NO. | MODIFY MATTER         | DATE | APPROVED |
|------|---------|-----------------------|------|----------|
| A    |         | RELEASE TO PRODUCTION |      |          |

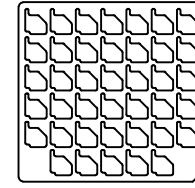
每20盒用PE模缠绕  
包扎紧



左右各800PCS  
共计：1600PCS

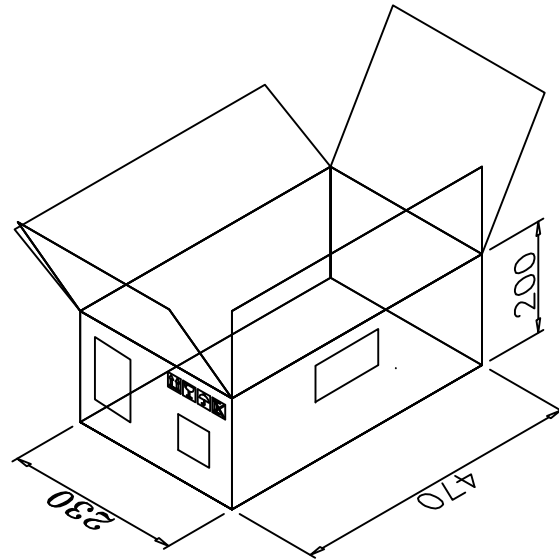
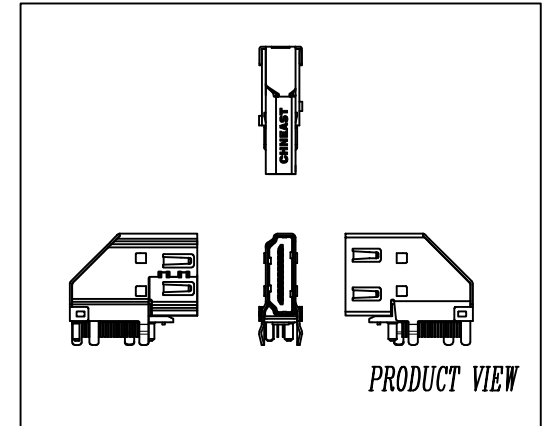
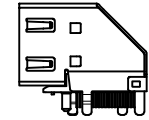


UP COVER



BOTTOM COVER

40PCS/TRAY



NOTE:

- 1.PACKING:40PCS/TRAY,1600PCS/CARTON.
- 2.CARTON SIZE: 470\*230\*200mm

|  |  |            |   |
|--|--|------------|---|
| TOLERANCES UNLESS OTHERWISE SPECIFIED:<br>X. —<br>X. X ± 0.38<br>X. XX ± 0.25<br>X. XXX ± 0.10<br>Angle ± 1° | COSTOMER COPY<br><b>深圳市东方御业科技有限公司</b><br>WWW.DFYCONN.COM TEL:0755-27155560 |            |   |
|  | DRAWN:<br>CHENLEI  | 2017/09/10 | TITIAL:<br>HDMI 侧插铜壳镀镍两K脚两直脚 两K脚边距7.80<br>针长2.3, 端子半金雾锡1u" (RoHS) |
|  | CHECKED:<br>CHENLEI  | 2017/09/10 | PART NO:  |
|  | APPROVED:<br>QINKAIXING  | 2017/09/10 | UNIT: mm<br>SCALE: N/A SHEEL: 1:1 REV.                            |

THESE DRAWING AND SPECIFICATION ARE THE PROPERTY OF Shenzhen Dongfangyue ELECTRONIC CO., LTD. SHALL NOT BE REPRODUCED.