

REV.	ECN NO.	MODIFY MATTER	DATE	APPROVED
A		RELEASE TO PRODUCTION		

NOTE:

1. Material:

Housing: Thermoplastics, UL94V-0 (ROHS, HF)
 Contact: Phosphor Bronze C5191-EH/C2680-EH, T=0.25mm
 Shell: COPPER ALLOY T=0.30mm

2. FINISH:

Contact: 15u" Gold Plated on Contact Area,
 80u" Min. Tin Plated on Solder Area
 50u" Min. Nickel Underplating Over All.
 Shell: 50u" Min. Nickel Underplating Over All.

3. Specification:

3.1: Rating:

Rated voltage 500V AC/DC. Rated current: 2 A Max.

3.2: Electrical:

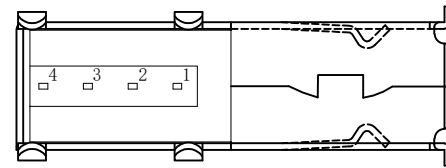
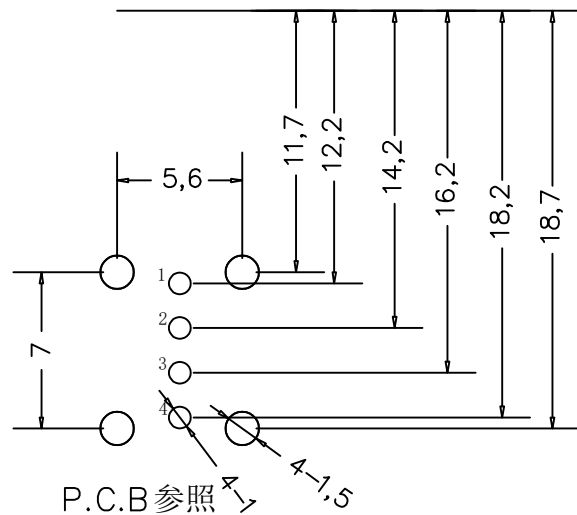
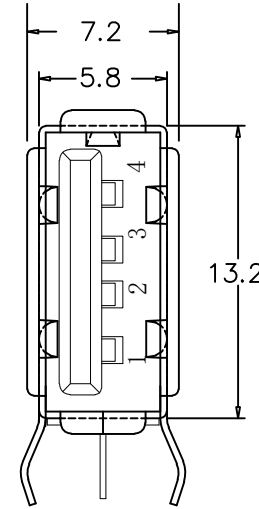
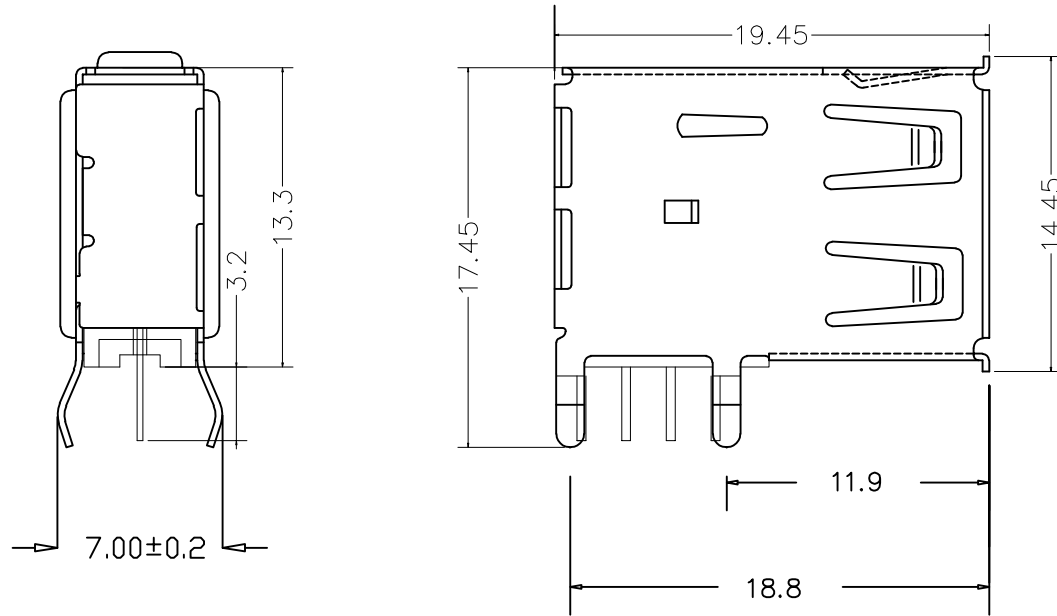
Insulation Resistance (EIA-364-21):
 1000MΩ Min. at 500V/DC for 1Minute.

Contact Resistance (EIA-364-23):
 30 mΩ Max. at 20mV Max, 50mA

Dielectric Withstanding Voltage (EIA-364-20):

No discharge, flashover or breakdown at 500V/AC 1Minute

4. Plug extraction force shall be between 1.0kgf and 2.00kgf



EAST-USB2A1X0PX1R

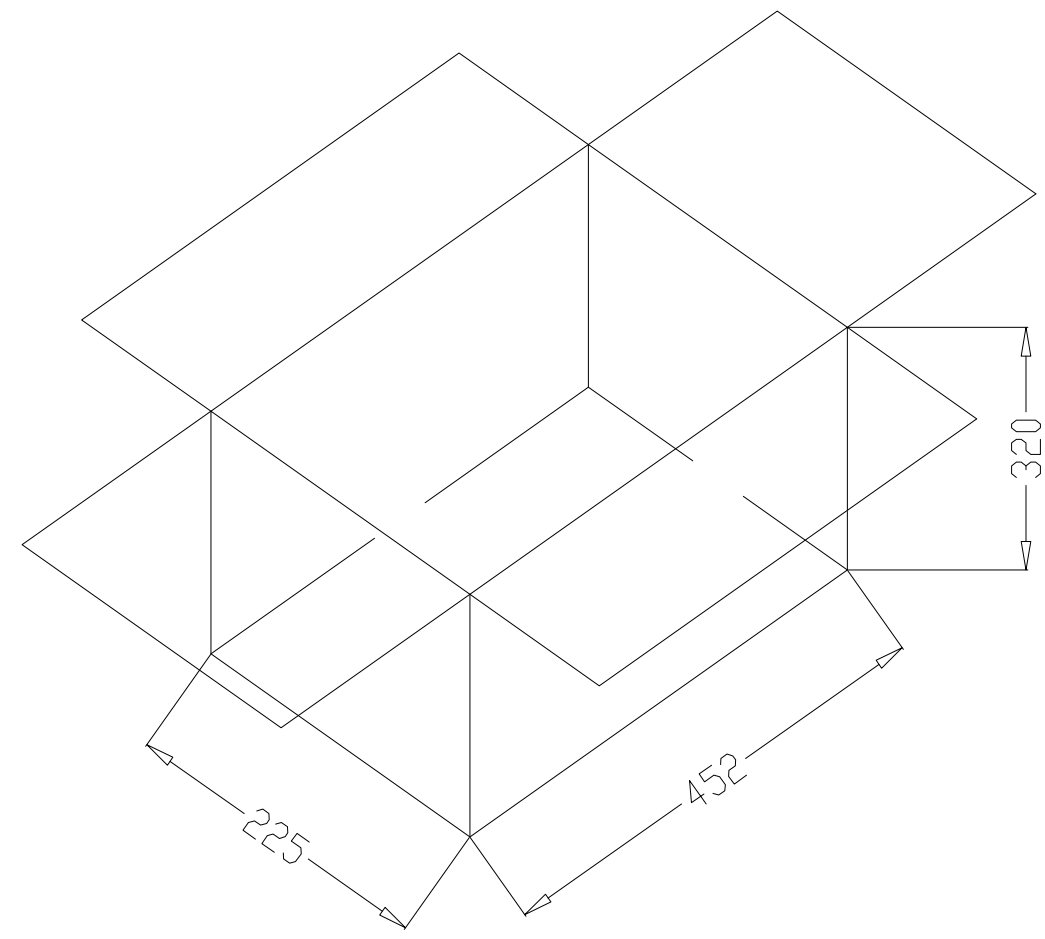
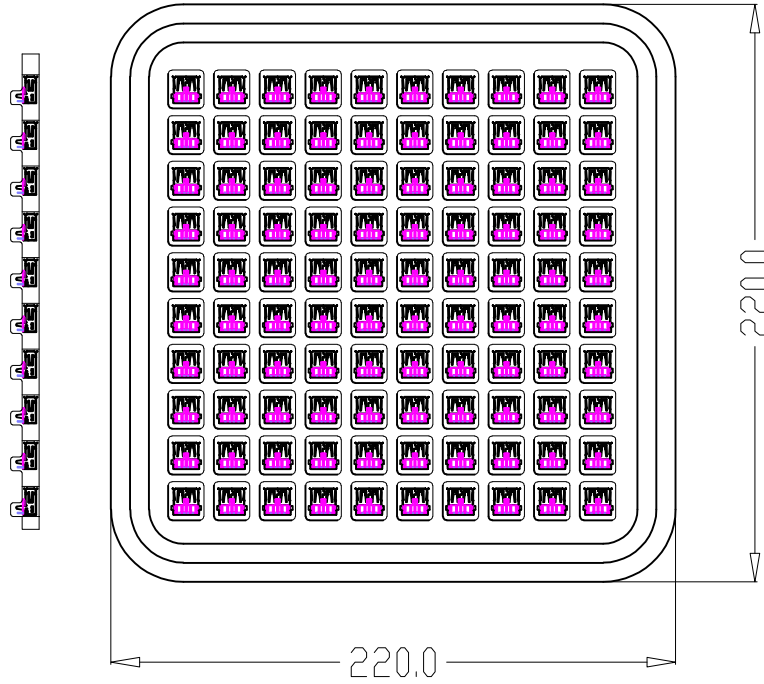
1: 铁壳镀镍
 5: 铜壳镀镍

1: 吸塑盒
 B: 黑色
 W: 白色
 P: PBT
 L: LCP

www.dfyyconn.com

TOLERANCES UNLESS OTHERWISE SPECIFIED: X. --- X.X ± 0.38 X.XX ± 0.25 X.XXX ± 0.10 Angle ±1°	COSTOMER COPY	深圳市东方御业科技有限公司 WWW.DFYCONN.COM TEL:0755-27155560		
	DRAWN: CHENLEI	2017/09/10	TITAL: USB A/F 侧立长方体有卷边 (RoHS)	
THESE DRAWING AND SPECIFICATION ARE THE PROPERTY OF Shenzhen Dongfangyuye ELECTRONIC CO., LTD.. SHALL NOT BE REPRODUCED.	CHECKED: CHENLEI	2017/09/10	PART NO: EAST-USB2A1X0PX1R	
	APPROVED: QINKAIXING	2017/09/10	UNIT: mm	SCALE: N/A SHEEL: 1:1 REV.

REV.	ECN NO.	MODIFY MATTER	DATE	APPROVED
A		RELEASE TO PRODUCTION		



- 1, 包装盒为PVC透明吸塑盒
- 2, 每盒包装数量为100PCS
- 3, 每箱包装数量为4000PCS

TOLERANCES UNLESS OTHERWISE SPECIFIED: X. --- X.X ± 0.38 X.XX ± 0.25 X.XXX ± 0.10 Angle ±1°	COSTOMER COPY		深圳市东方御业科技有限公司 WWW.DFYCONN.COM TEL:0755-27155560		
	DRAWN: CHENLEI	2017/09/10	TITIAL: USB-AF单层包装图 (RoHS)		
THESE DRAWING AND SPECIFICATION ARE THE PROPERTY OF Shenzhen Dongfangyuye ELECTRONIC CO., LTD.. SHALL NOT BE REPRODUCED.	CHECKED: CHENLEI	2017/09/10	PART NO:		
	APPROVED: QINKAIXING	2017/09/10	UNIT: mm	SCALE: N/A	SHEEL: 1:1