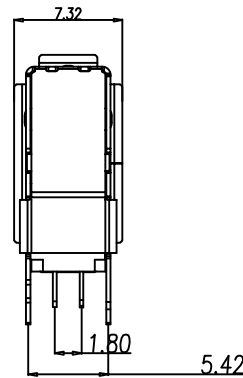
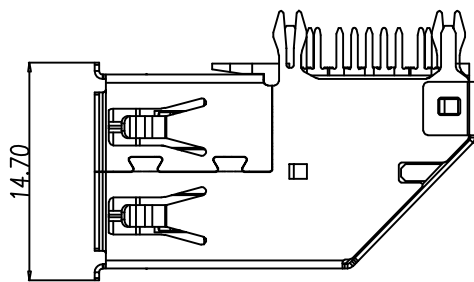
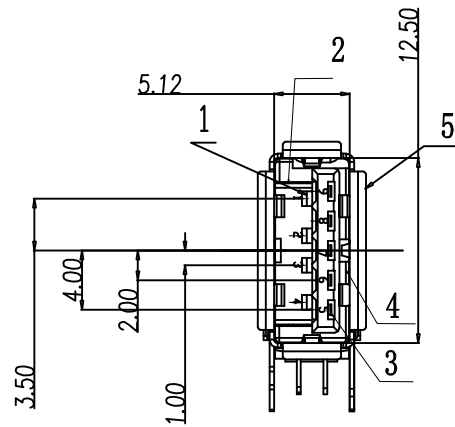
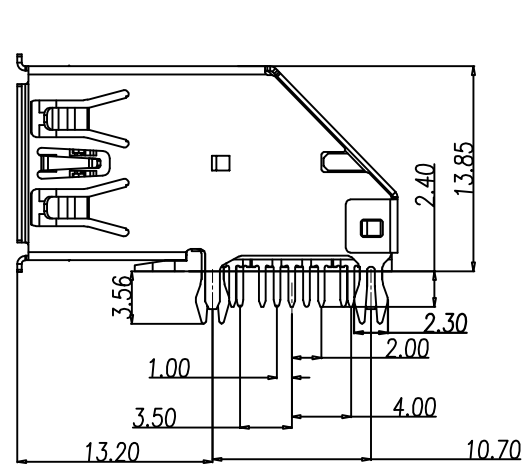
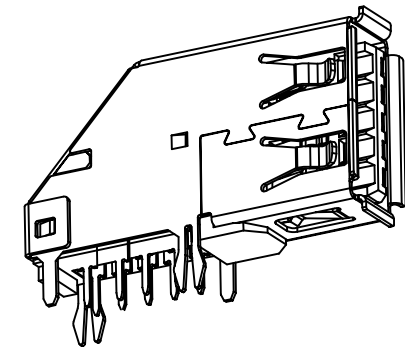


REV.	ECN NO.	MODIFY MATTER	DATE	APPROVED
A		RELEASE TO PRODUCTION		



EAST-U3AB-1L701R

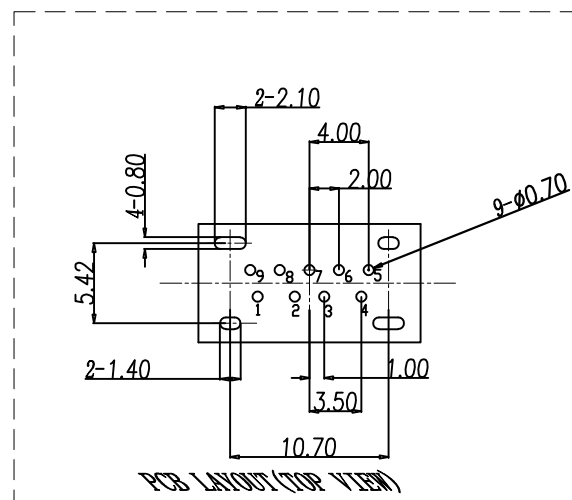
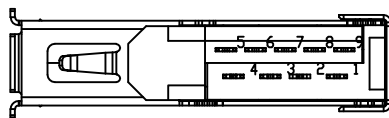
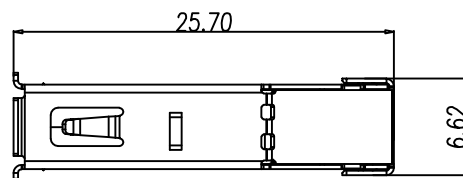
- 1: 铁壳镀镍
- 5: 铜壳镀镍
- B: 不锈钢镀镍
- 1: 半金1u"
- 3: 半金3u"
- 5: 半金5u"
- 7: 半金10u"
- 8: 半金15u"
- A: 半金30u"
- R: RoHS
- 1: 有卷边
- 2: 无卷边
- 1: 黑色
- 7: 蓝色300C
- P: PBT
- L: LCP



SPECIFICATIONS:
 Contact current Rating:
 1.8 Amperes for pin1&pin4.
 0.25 Amperes other contacts
 Dielectric Withstanding Voltage:AC 100V(RMS)
 Insulation resistance:100Megohms Minimum.
 Contact Resistance:
 30mΩ Max for pin1&pin4
 50mΩ Max for other contacts
 Mechanical Characteristics:
 Mating Force:3.5 Newtons.Maximum
 Unmating Force:10 Newtons.Minimum.
 operating Temperature:-55iãto+85iã

Pin Number	Signal Name	Pin Number	Signal Name
1	VBUS	5	SSRX-
2	D-	6	SSRX+
3	D+	7	GND
4	GND	8	SSTX-
Shell	Shield	9	SSRT+

ITEM	PART NAME	Material	Q'TY	REMARK
1	4P Semi-	Housing LCP&PBT	1	Black &Blue UL94V-0
2	manufactured Goods	Contact COPPER ALLOY	4	T=0.20 Plating Gld/Tin
3	5P Semi-	Housing PBT	1	Black &Blue UL94V-0
4	manufactured Goods	Contact COPPER ALLOY	5	T=0.20 Plating Gld/Tin
5	Shell	SUS304-1/2H	1	T=0.25



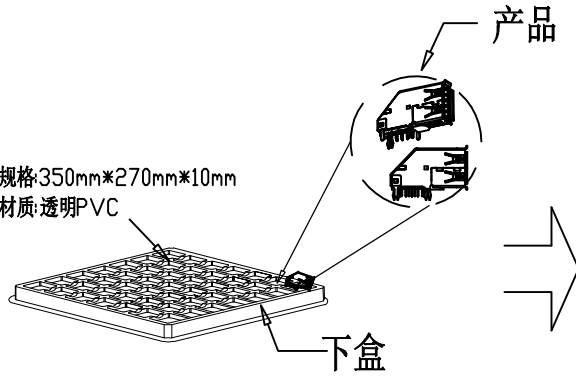
TOLERANCES UNLESS OTHERWISE SPECIFIED:
 X. ---
 X.X ± 0.38
 X.XX ± 0.25
 X.XXX ± 0.20
 Angle ± 3'

COSTOMER COPY		深圳市东方御业科技有限公司 Tel:0755-27155560 WWW.DFYCONN.COM	
DRAWN: Qinkx	2017/09/10	TITL: USB 3.0 AF 侧插90度	
CHECKED: Chenl	2017/09/10	PART NO: EAST-U3AB-1L701R (RoHS)	
APPROVED: Chenl	2017/09/10	UNIT: mm	SCALE: N/A
		SHEEL:	REV.

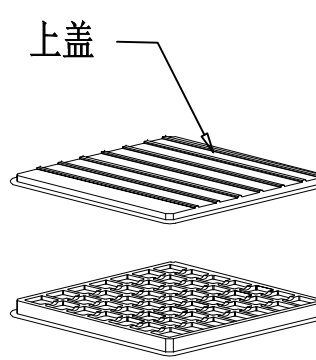
THESE DRAWING AND SPECIFICATION ARE THE PROPERTY OF Shenzhen Dongfangyue ELECTRONIC CO., LTD.. SHALL NOT BE REPRODUCED.

REV.	ECN NO.	MODIFY MATTER	DATE	APPROVED
A		RELEASE TO PRODUCTION		

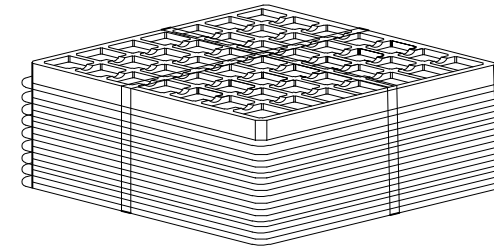
吸塑盒规格:350mm*270mm*10mm
吸塑盒材质:透明PVC



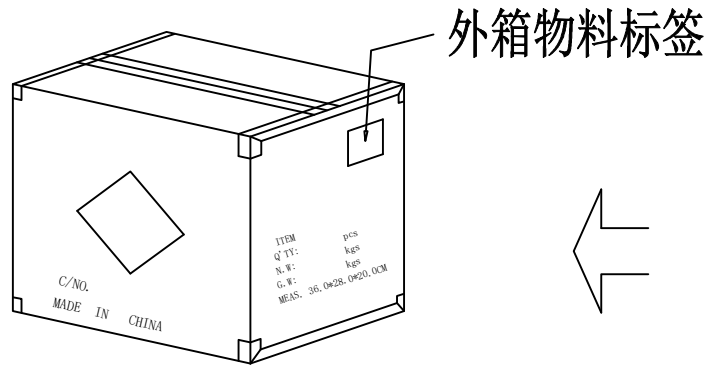
① 吸塑盒(1Set).100Pcs/盒



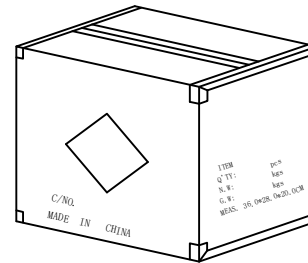
② 盖好上盖



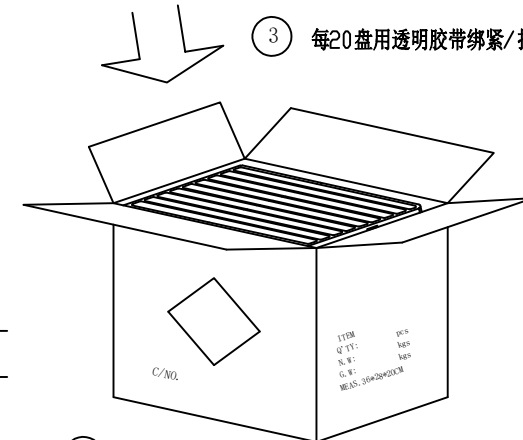
③ 每20盘用透明胶带绑紧/捆



④ 依图示粘贴产品其它标签.

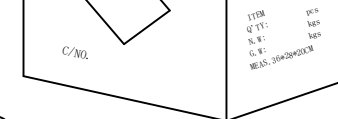
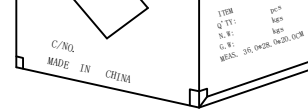
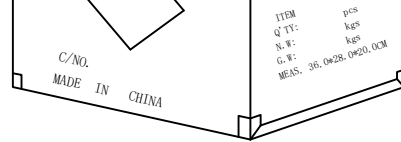


⑤ 外箱用透明胶带封“工”字型.



⑥ 每箱平放1捆产品,若尾数箱在空间处加装填充物.
一箱(2k).
纸箱规格: 36.0*28.0*20.0CM
纸箱材质: K=K

外箱物料标签



备注:
1. PE 真空盒1Set
2. 每盒装成品100Pcs,
3. 每箱装20盒,
4. 外箱尺寸与规格印刷: 详见包材图面;
5. 外箱用透明胶带封“工”字型;
6. 依外箱图示位置粘贴好产品或其它标签
(若客户另有贴标签要求, 则按其定单注明之要求贴)

每箱数量	净重	毛重
2K套/箱		5.05KG

TOLERANCES UNLESS OTHERWISE SPECIFIED: X. --- X.X ± 0.38 X.XX ± 0.25 X.XXX ± 0.20 Angle ± 3°		COSTOMER COPY	深圳市东方御业科技有限公司 Tel:0755-27155560 WWW.DFYCONN.COM	
THESE DRAWING AND SPECIFICATION ARE THE PROPERTY OF Shenzhen Dongfangyue ELECTRONIC CO., LTD.. SHALL NOT BE REPRODUCED.		DRAWN: Qinkx	2017/09/10	TITAL: USB 3.0 AF 侧插90度 包装图 (RoHS)
		CHECKED: Chenl	2017/09/10	PART NO:
		APPROVED: Chenl	2017/09/10	UNIT: mm
			SCALE: N/A	SHEEL: REV.