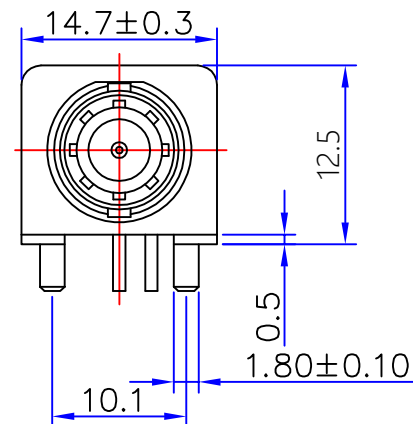
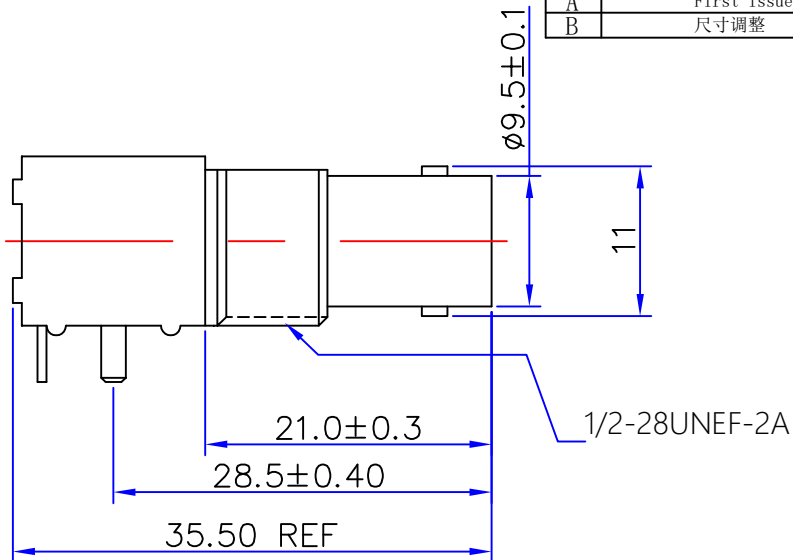
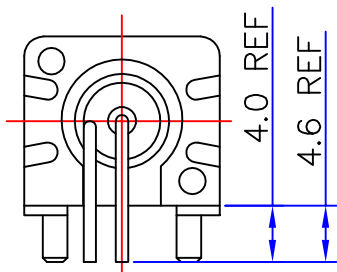




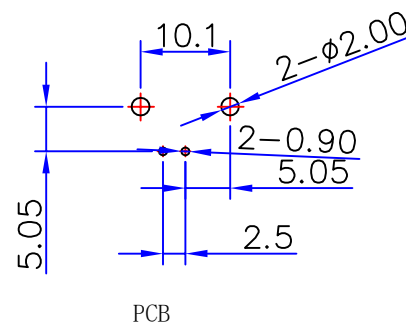
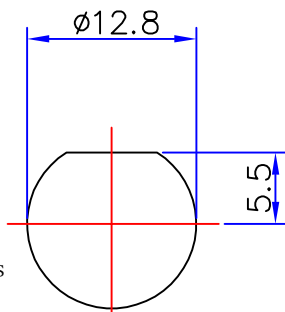
# Kinghelm®

Product NO.		KH-801-0038		
REV	DESCRIPTION	DWN	DATE	APPROVEN
A	First issue	JIM	2012/11/02	John kine
B	尺寸调整	W.cheng	2020/05/05	John kine



## Specifications

Impedance: 50 Ohms  
 Frequency Range: DC~3G  
 VSWR: 1.3MAX  
 Working Voltage: 500V rms @ sea level  
 Insulation Resistance: 5000 Ohms min  
 Temperature Range: -55°C TO +155°C  
 Relative Humidity: ≤95% (40°C ±2°C)  
 Drawings products are in line with ROHS standards



1	Body	Zinc	NI:80-120u"
2	Center contact	Brass	AU:1u"
3	Lead	Iron	AU:1u"
4	Fixed footrest	Iron	NI:80-120u"
5	Insulator	POM	White
6	Fixed mount	PBT	White
7	Washer	Brass	NI:80-120u"
8	Hex nut	Brass	NI:80-120u"
9			
10			
NO	Component Number	Material	Finish

NOTE:  
 DRAWN: 贺骏驹  
 CHECKED: 赖积任  
 APPROVALS: 张松强  
 DATE: 2012/11/10  
 DATE: 12/04.2012

Tolerance	0-6 ±0.20 6-30 ±0.30 30-120 ±0.5 Angular ±2°	深圳市金航标电子有限公司	WWW.BDS666.COM
View		KH-BNC50-3511 0755-83044319	
UNIT	MM	Name: BNC WHITE JACK CONNECTOR (12.5MM)	
SCALE	1:1	SIZE A	Product NO. KH-801-0038
		DateTime 2012/11/02	CAD FILE SHEET: 1 OF 1