



SK3400S

LTE-Band40, RF SAW Filter
Revision 0: December 2015

MSL 3 Device



- Electrical Characteristics
 - Package Dimensions
 - Testing Environment
 - Frequency Characteristics
-

□ Electrical Characteristics

Maximum Ratings

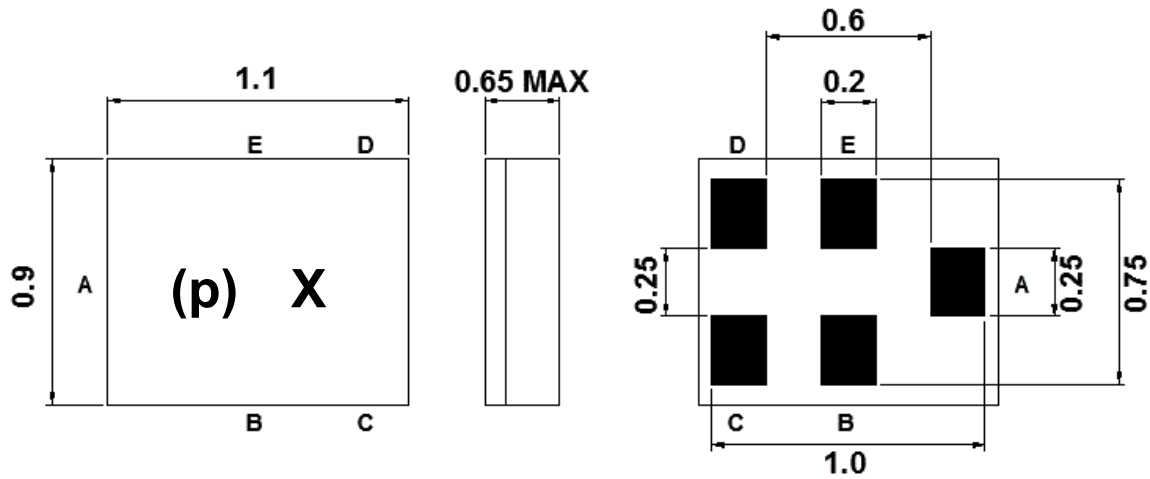
Parameters Description	Unit	Minimum	Typical	Maximum
Operating Temperature Range	°C	-30	-	+85
Storage Temperature Range	°C	-40	-	+85
Maximum DC Voltage	V	-	-	0
Maximum Input Power	dBm	-	-	28
Source Impedance (single ended) ⁽¹⁾	Ω	-	50	-
Load Impedance (single ended) ⁽¹⁾	Ω	-	50	-
Package type & size	C12			
Length x Width	mm ²	-	1.1 x 0.9	-
Height	mm	-	-	0.65

Electrical Specification

Parameters Description	Unit	Minimum	Typical	Maximum
Center Frequency (Fo)	MHz	-	2350.0	-
Max.Insertion Loss within 2300.0~2400.0 MHz	dB	-	1.9	2.8
Amplitude Ripple within 2300.0~2400.0 MHz	dB _{p-p}	-	1.2	2.3
Attenuation:				
10.0 ~ 1574.0 MHz	dB	20	29	-
1574.0 ~ 1577.0 MHz	dB	20	29	-
1577.0 ~ 1680.0 MHz	dB	20	27	-
1845.0 ~ 1880.0 MHz	dB	18	25	-
2110.0 ~ 2170.0 MHz	dB	18	25	-
2240.0 ~ 2285.0 MHz	dB	1.5	7	-
2415.0 ~ 2420.0 MHz	dB	1.5	5	-
2420.0 ~ 2460.0 MHz	dB	3	6	-
2460.0 ~ 2485.0 MHz	dB	30	43	-
2485.0 ~ 2500.0 MHz	dB	30	48	-
2500.0 ~ 3000.0 MHz	dB	20	26	-
4600.0 ~ 4800.0 MHz	dB	20	25	-
4800.0 ~ 6000.0 MHz	dB	18	21	-
VSWR within 2300.0~2400.0 MHz	-	-	1.5	2.0

Notes : (1) With Matching Network .

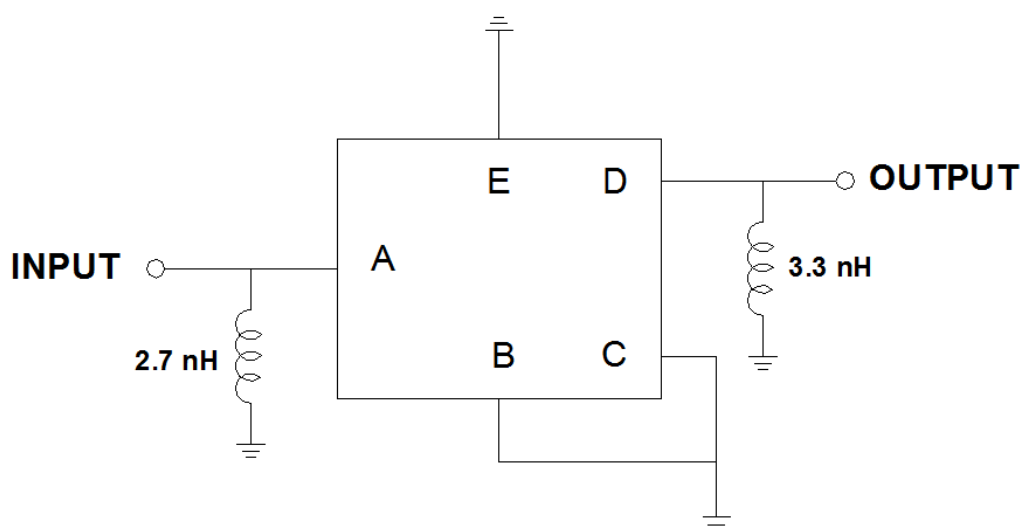
Package Dimensions



Marking Descriptions	
(p)	Series Number
X	Date Code(Year+Month)

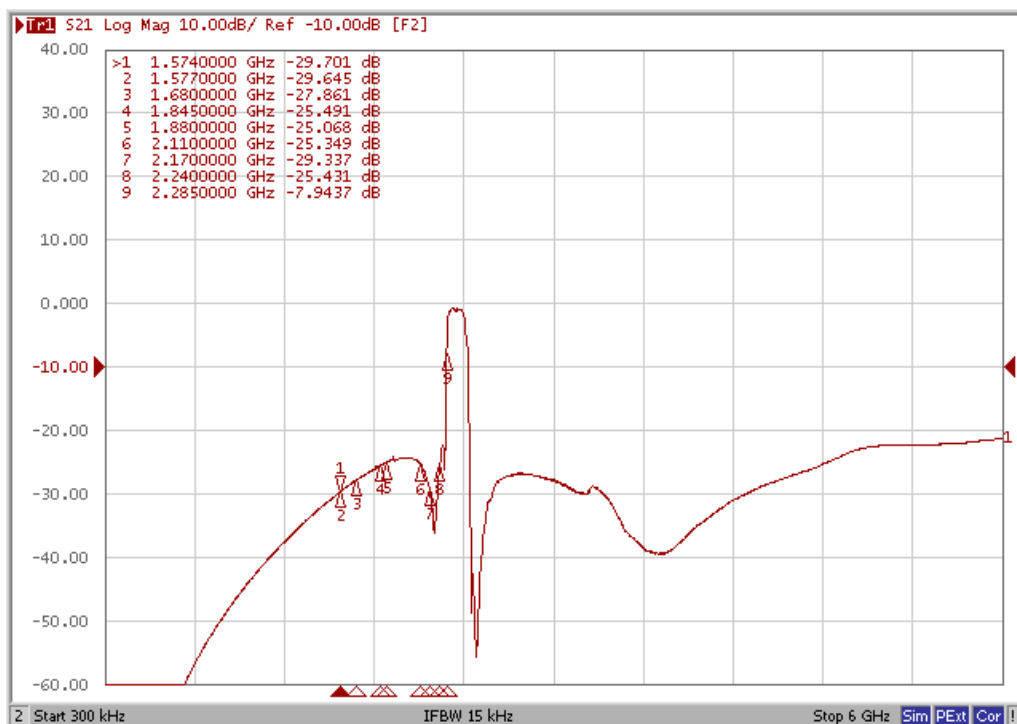
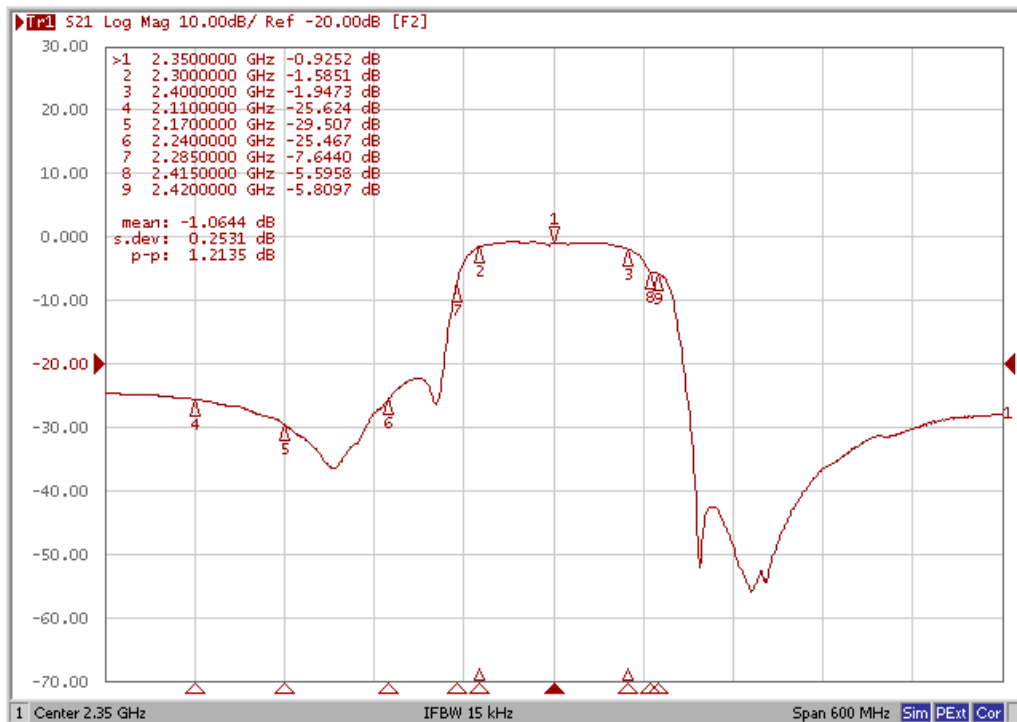
Pin Description	
B, C, E	Ground
A	Input
D	Output

Testing Environment

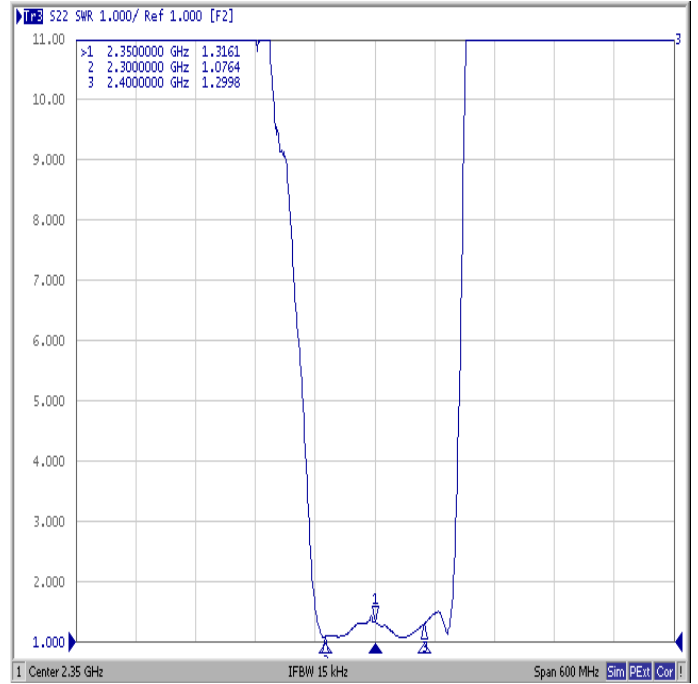
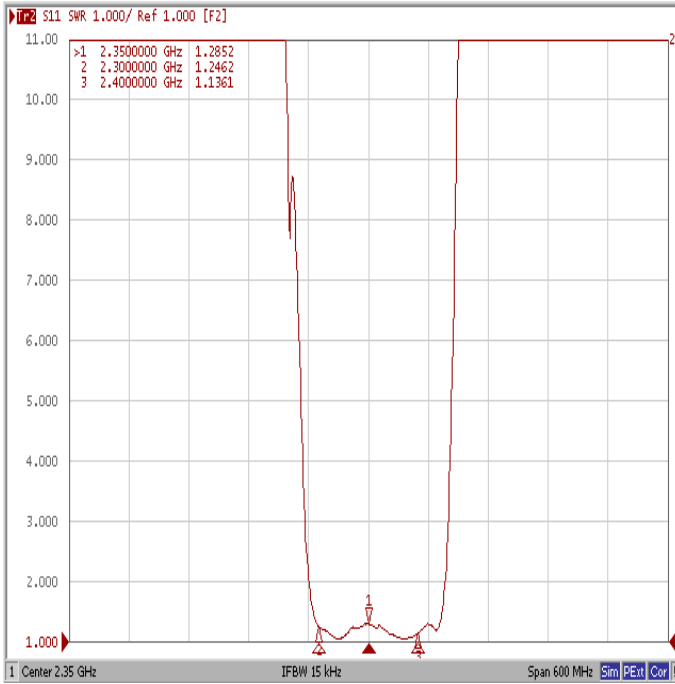


□ Frequency Characteristics

Frequency Response



VSWR



Smith Chart

