

## ZD24C64B

---

### I2C-Compatible (2-wire) Serial EEPROM

### 64-Kbit (8,192 x 8)

### WL-CSP Datasheet

#### Features

---

- Low Voltage Operation
  - $V_{CC} = 1.7V$  to 5.5V
- Internally Organized as 8,192 x 8 (64Kb)
- Additional Write lockable page
- 128-Bit Unique ID for each device<sup>1</sup>
- I<sup>2</sup>C-compatible (2-wire) Serial Interface and high speed
  - 1MHz high speed, 1.7V to 5.5V
- Schmitt Trigger Filtered Inputs for Noise Suppression
- Bidirectional Data Transfer Protocol
- 32-byte Page Write Mode
  - Partial Page Writes Allowed
- Random and Sequential Read Modes
- Self-timed Write Cycle Within 5ms Max
- High Reliability
  - Endurance: 1,000,000 Write Cycles
  - Data Retention: 100 Years
- WL-CSP Features
  - Software Write Protection
  - Configurable Device Address

Note :

1. This feature is available on special order. Please contact Zetta for details.

#### Description

---

The ZD24C64B provides 65,536 bits of serial electrically erasable and programmable read-only memory (EEPROM) organized as 8,192 words of 8 bits each, with 32-byte Identification Page. The device's cascadable feature allows up to 8 devices to share a common 2-wire bus. The device is optimized for use in many industrial and commercial applications where low-power and low-voltage operations are essential.

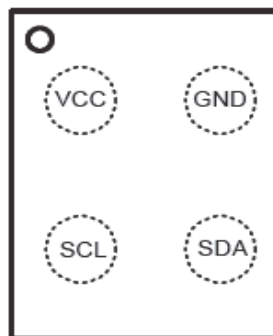
This supplement contains information on the ZD24C64B in WL-CSP package. Please refer to the ZD24C64A datasheet for full specifications.

## 1. Pin Descriptions and Pinouts

Table 1-1.Pin Descriptions

| Pin Symbol      | Pin Name and Functional Description  | Asserted State | Pin Type     |
|-----------------|--|----------------|--------------|
| GND             | <b>Ground:</b> The ground reference for the power supply. GND should be connected to the system ground.  | —              | Power        |
| SDA             | <b>Serial Data:</b> The SDA pin is an open-drain bidirectional input/output pin used to serially transfer data to and from the device.<br>The SDA pin must be pulled-high using an external pull-up resistor (not to exceed 10KΩ in value) and may be wire-ORed with any number of other open-drain or open-collector pins from other devices on the same bus.   | —              | Input/Output |
| SCL             | <b>Serial Clock:</b> The SCL pin is used to provide a clock to the device and to control the flow of data to and from the device. Command and input data present on the SDA pin is always latched in on the rising edge of SCL, while output data on the SDA pin is clocked out on the falling edge of SCL.<br>The SCL pin must either be forced high when the serial bus is idle or pulled-high using an external pull-up resistor. | —              | Input        |
| V <sub>CC</sub> | <b>Device Power Supply:</b> The V <sub>CC</sub> pin is used to supply the source voltage to the device. Operations at invalid V <sub>CC</sub> voltages may produce spurious results and should not be attempted.   | —              | Power        |

### Thin 4-ball WLCSP(CT)



(TOP VIEW)

Ball pitch 400\*400um

## 2. Memory Organization

**ZD24C64B, 64K SERIAL EEPROM:** Internally organized with 256 pages of 32 bytes each, the 64K requires a 13-bit data word address for random word addressing.

**Identification Page :** The ZD24C64B offers 32-byte Identification Page which can be written and (later) permanently locked in Read-only mode. This memory may be used by the system manufacturers to store security and other important information separately from the main memory array.

**128 bits Unique:** The ZD24C64B offers 128-bit Unique ID which can only be read.

**Configurable Device Address:** When power-on, the device will load the device address Configurations automatically. The CDA contains C0/C1/C2/CX four NVM bits. When CX is set to '1b', the device responds to all device address. Otherwise, the device only responds to the same device address as how C2/C1/C0 is set. The CDA factory default value is '0000b' for CT package.

**CDA WREN:** ZD24C64B offers a volatile register to protect CDA from unexpected write operation. Before writing CDA, the 'CDA WREN' register must be previously set to 1. Because the register will be automatically set to 0 after any read or write operation, the following command must be a 'Write CDA' command. The default value of 'CDA WREN' register after power-on is 0b.

| Device ADDR | Page ADDR                           | Byte Number                 |       |   |
|-------------|-------------------------------------|-----------------------------|-------|---|
|             |                                     | 32                          | ..... | 0 |
| 1010        | 0                                   | Data Memory (256P X 32Byte) |       |   |
|             | 1                                   |                             |       |   |
|             | 2                                   |                             |       |   |
|             | .....                               |                             |       |   |
|             | 255                                 |                             |       |   |
| 1011        | xxxx x00x<br>xxxx xxxx <sup>1</sup> | Identification Page(32byte) |       |   |
| 1011        | xxxx x01x<br>xxxx xxxx <sup>2</sup> | 128 Bits Unique ID          |       |   |
| 1011        | xxxx x10x<br>xxxx xxxx <sup>3</sup> | 1 Bit Lock Bit              |       |   |
| 1011        | xx00 0110<br>1100 1010 <sup>4</sup> | Configurable Device Address |       |   |
| 1011        | xx11 1111<br>0011 0101 <sup>5</sup> | CDA WREN                    |       |   |

Note :

1. Address bits ADDR<10:9> must be 00b, ADDR<4:0> define byte address, other bits are don't care.
2. Address bits ADDR<10:9> must be 01b, ADDR<3:0> define byte address, other bits are don't care.

3. Address bits ADDR<10:9> must be 10b, other bits are don't care.
4. Address bits ADDR<13:0> must be 00011011001010b, other bits are don't care.
5. Address bits ADDR<13:0> must be 11111100110101b, other bits are don't care.

### 3. CSP Configurations (CC)

Since there are no A0, A1, A2 and WP pins, ZD24C64B with WL-CSP package provides the CSP Configurations for users to implement Software Write Protection and Configurable Device Address features. When power-on, the device will load CSP Configurations automatically.

### 4. Configurable Device Address (CDA)

When power-on, the device will load the device address Configurations automatically. The CDA contains C0/C1/C2/CX four NVM bits. When CX is set to "1b", the device responds to all device address. Otherwise, the device only responds to the same device address as how C2/C1/C0 is set. The CDA factory default value is "0000b" for CT package.

### 5. CDA WREN

ZD24C64B offers a volatile register to protect CDA from unexpected write operation. Before writing CDA, the "CDA WREN" register must be previously set to 1. Because the register will be automatically set to 0 after any read or write operation, the following command must be a "Write CDA" command. The default value of "CDA WREN" register after power-on is 0b.

### 6. Software Write Protection (SWP)

If precautions are not taken, inadvertent writes may occur during transitions of the host system. ZD24C64B with WL-CSP package has provided SWP feature that will protect the memory against inadvertent writes. When SWP enabled, the memory will be read-only except SWP NVM bit. The SWP feature may be enabled (SWP=1'b) or disabled (SWP=0'b) by the user. The ZD24C64B WL-CSP package is shipped with SWP disabled.

### 7. Device Addressing

#### Data Memory/ Identification Page Access:

As shown in the Table 1 below, only A2/A1/A0 bits in device address were replaced by C2/C1/C0 respectively, the definitions of other bits in device address are the same with ZD24C64A full datasheet.

When CX is set to "0b", the 64K EEPROM uses the three device address bits C2, C1, C0 to allow as many as eight devices on the same bus. These bits must compare to C0/C1/C2 bits in Configurable Device Address. When CX is set to '1b', the device responds to any device address, thus only one device is allowed on each bus.

#### CC Access:

Access to this memory location is obtained by beginning the device address word with a '1011b' (Bh) sequence (refer to Table 1). The behavior of the next three bits (C2, C1 and C0) remains the same as during a standard memory addressing sequence.

The eighth bit of the device address is the read/write operation select bit. A read operation is initiated if this bit is high and a write operation is initiated if this bit is low.

For more details on accessing this special feature, See Write Operations and Read Operations.

**Table 1 . Device Address**

| Access Area              | Bit 7 | Bit 6 | Bit 5 | Bit 4 | Bit 3 | Bit 2 | Bit 1 | Bit 0 |
|--------------------------|-------|-------|-------|-------|-------|-------|-------|-------|
| Data Memory              | 1     | 0     | 1     | 0     | C2    | C1    | C0    | R/W   |
| Identification Page      | 1     | 0     | 1     | 1     | C2    | C1    | C0    | R/W   |
| Identification Page Lock | 1     | 0     | 1     | 1     | C2    | C1    | C0    | R/W   |
| Unique ID Number         | 1     | 0     | 1     | 1     | C2    | C1    | C0    | 1     |
| CSP configurations       | 1     | 0     | 1     | 1     | C2    | C1    | C0    | R/W   |
| CC WREN                  | 1     | 0     | 1     | 1     | C2    | C1    | C0    | 0     |

**Table 2 . First Word Address**

| Access Area              | Bit 7 | Bit 6 | Bit 5 | Bit 4 | Bit 3 | Bit 2 | Bit 1 | Bit 0 |
|--------------------------|-------|-------|-------|-------|-------|-------|-------|-------|
| Data Memory              | X     | X     | X     | A12   | A11   | A10   | A9    | A8    |
| Identification Page      | X     | X     | X     | X     | X     | 0     | 0     | X     |
| Identification Page Lock | X     | X     | X     | X     | X     | 1     | 0     | X     |
| Unique ID Number         | X     | X     | X     | X     | X     | 0     | 1     | X     |
| CSP configurations       | X     | X     | 0     | 0     | 0     | 1     | 1     | 0     |
| CC WREN                  | X     | X     | 1     | 1     | 1     | 1     | 1     | 1     |

Notes:

- 1) X = Don't care bit.

**Table 3 . Second Word Address**

| Access Area              | Bit 7 | Bit 6 | Bit 5 | Bit 4 | Bit 3 | Bit 2 | Bit 1 | Bit 0 |
|--------------------------|-------|-------|-------|-------|-------|-------|-------|-------|
| Data Memory              | A7    | A6    | A5    | A4    | A3    | A2    | A1    | A0    |
| Identification Page      | X     | X     | X     | A4    | A3    | A2    | A1    | A0    |
| Identification Page Lock | X     | X     | X     | X     | X     | X     | X     | X     |
| Unique ID Number         | X     | X     | X     | X     | 0     | 0     | 0     | 0     |
| CSP configurations       | 1     | 1     | 0     | 0     | 1     | 0     | 1     | 0     |
| CC WREN                  | 0     | 0     | 1     | 1     | 0     | 1     | 0     | 1     |

Notes:

- 1) X = Don't care bit.

## 8. Write Operations

### WRITE CC

Before writing CC, a previously 'Write CC WREN' command must be performed. Write CC operation is similar to the byte write but requires use of device address, and specific word address. The word address bits ADDR<13:0> must be '00, 0110, 1100, 1010b' (see Table 2~3.), all other word address bits are don't care. The data byte must be equal to the binary value 'C2C1C0CXxxSWPx' (see Table 4 and Figure 1).

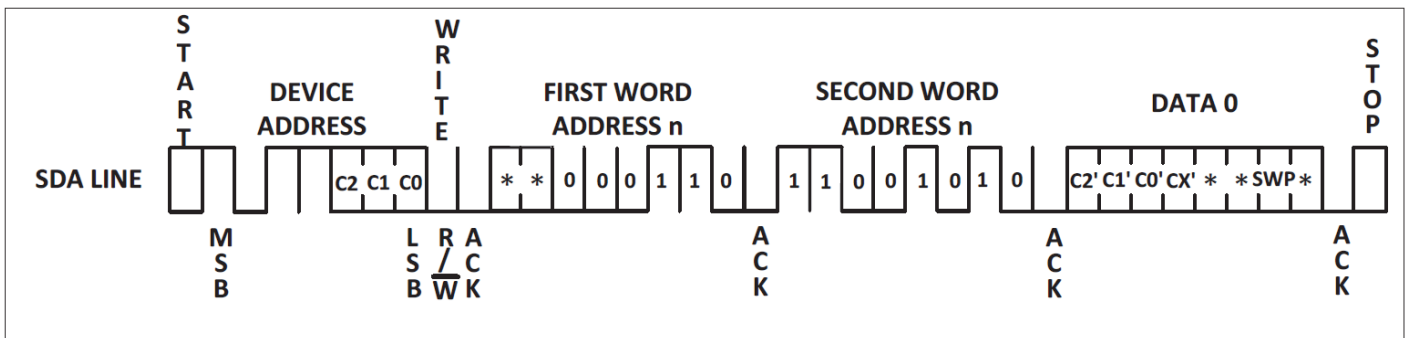
**Table 4 . CDA and SWP Bits**

|       | Bit 7 | Bit 6 | Bit 5 | Bit 4 | Bit 3 | Bit 2 | Bit 1 | Bit 0 |
|-------|-------|-------|-------|-------|-------|-------|-------|-------|
| Write | C2    | C1    | C0    | CX    | X     | X     | SWP   | X     |
| Read  | C2    | C1    | C0    | CX    | X     | X     | SWP   | X     |

Notes:

1)X = Don't care bit.

**Figure 1. Write CC**



C2/C1/C0 replace the traditional device address A2/A1/A0, CDA and SWP Bit defined as Table 4.

The factory default value of CDA is "0000b" for CT package and SWP bit is "0b" (SWP disabled). CDA could be configured when SWP is disabled. If SWP is disabled, CDA and SWP could be re- configured in the same write operations. Once CDA re-configured, the following command with device address bits must be in accordance with the modified CDA, otherwise the device will return to standby state. If SWP is enabled, CDA is protected by SWP. CDA can't be modified even during the SWP disable operation, the value of CDA (C2/C1/C0/ CX) in DATA0 of write CC command sequence is ignored.

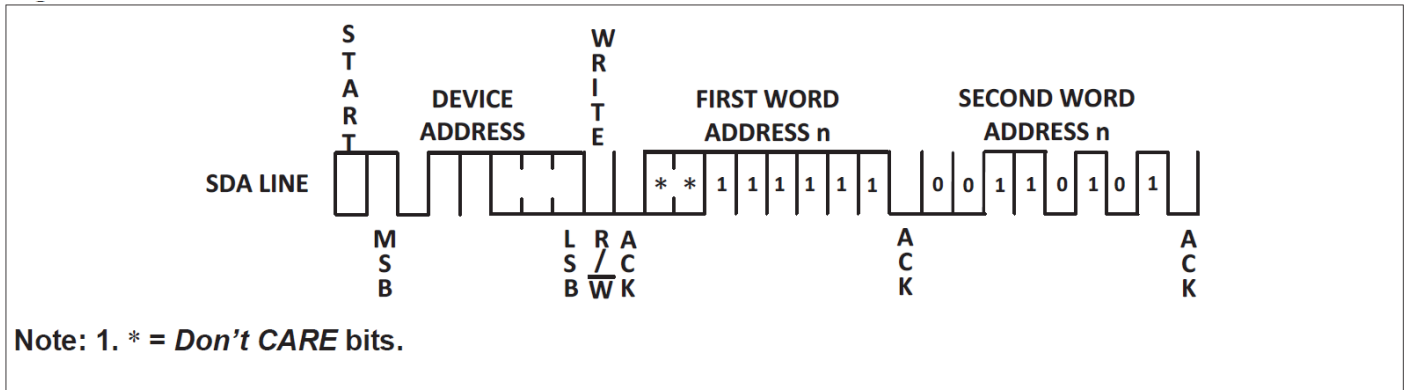
Notes :

- 1) The CDA status could be checked by Ack polling. There will be an Ack when CDA value is the same as C2/C1/C0 in the device addresses of command sequence, otherwise NoAck.
- 2) Write CC operation support Ack polling to check whether the internal write cycle has completed.

**WRITE CDA WREN**

Write the 'CDA WREN' register is similar to the page write but requires use of device address, and the special word address seen in Table 1. The word address bits ADDR<13:0> must be 1111100110101b, all other word address bits are don't care. After the word address bytes, the register will be set and will be cleared after next command. That is, a following WRITE CDA command should be performed. For CDA WREN is a volatile register, no write cycle time or acknowledge polling is needed in this command (see Figure 2).

**Figure 2. Write CC WREN**

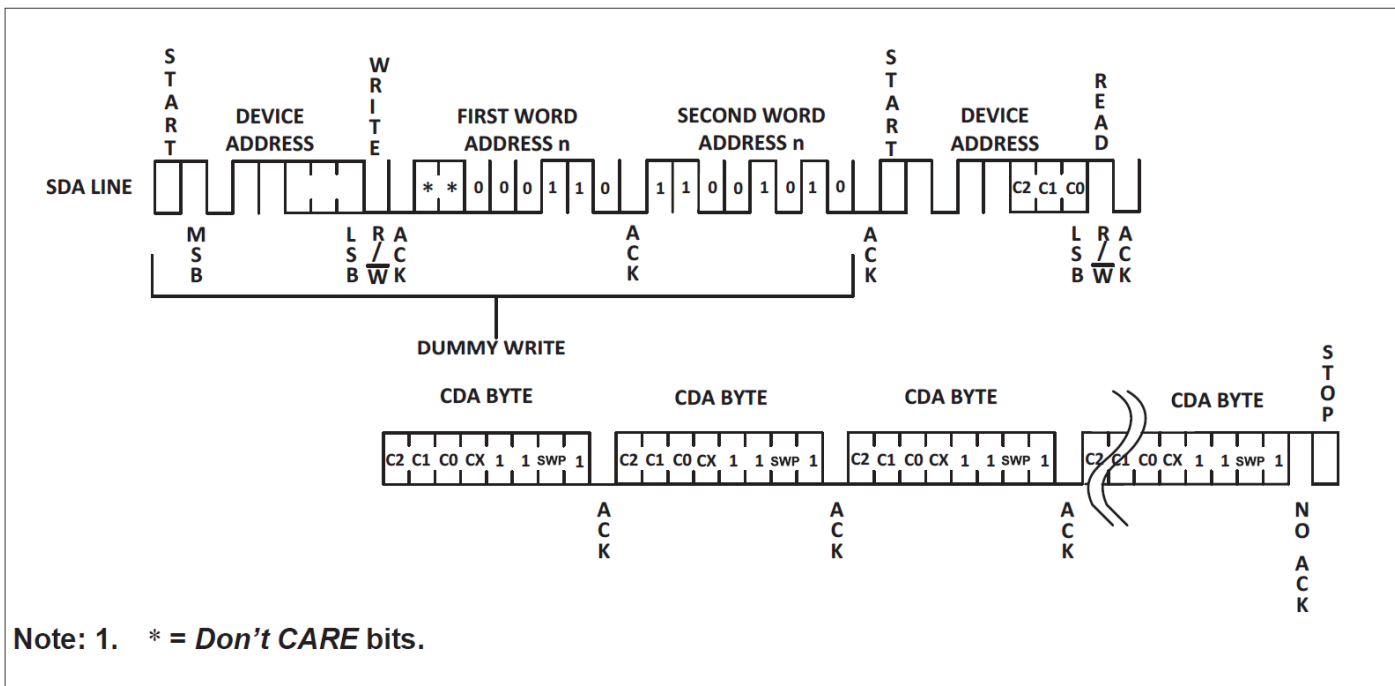


**9. Read Operations**

**READ CC**

Read CC operation is similar to the random read but requires use of device address, a dummy write, and specific word address. The word address bits ADDR<13:0> must be '00, 0110, 1100, 1010b' (see Table2~3), all other word address bits are don't care. The CDA is the BIT7~BIT4 of the byte read on SDA, and SWP is the BIT1, other bits are '1b'. The internal byte address is not automatically incremented, so the same data is shifted out repeatedly until the microcontroller does not respond with a zero but does generate a following stop condition (see Figure 3).

**Figure 3. Read CC**



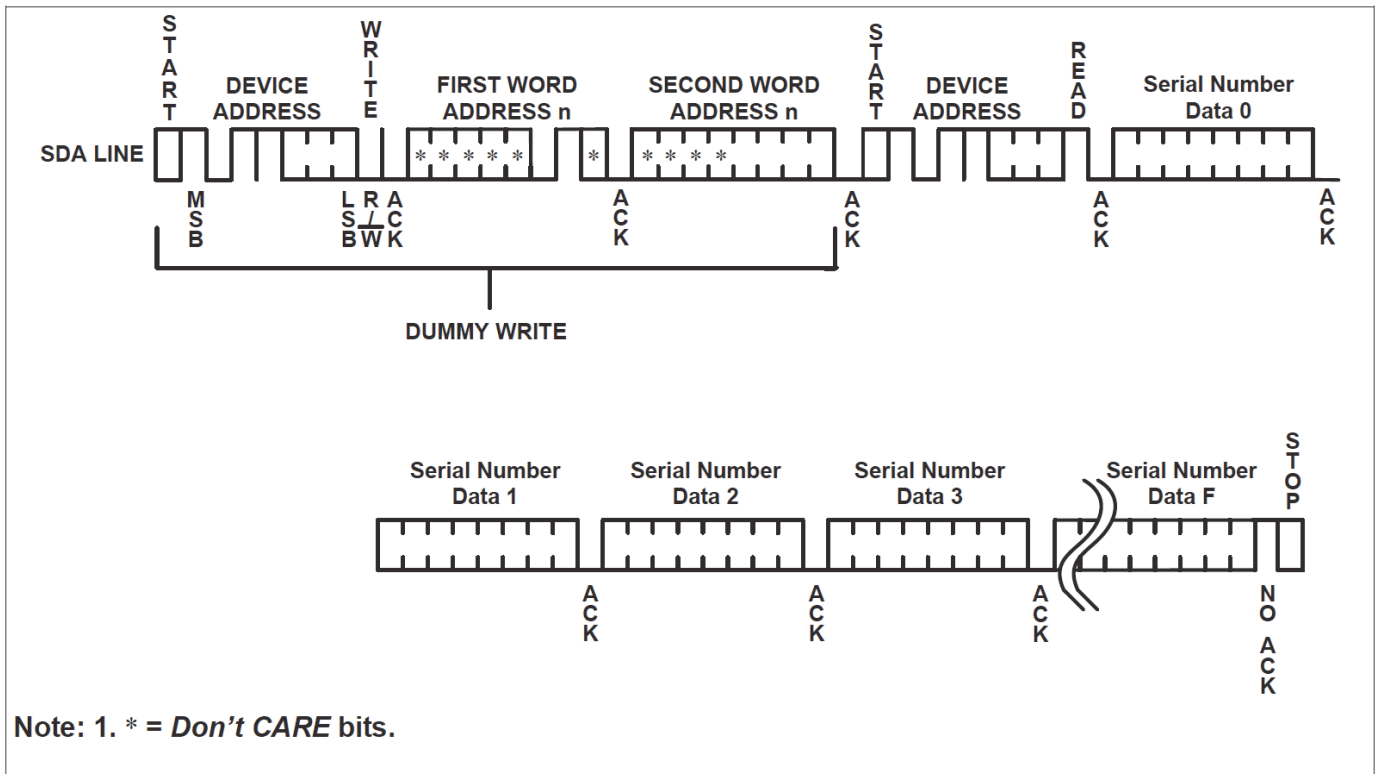
**UNIQUE ID READ:**

Reading the serial number is similar to the sequential read but requires use of the device address, a dummy write, and the use of specific word address seen in Table 1. The higher address bits ADDR<12:4> are don't care except for address bits ADDR<10:9> , which must be equal to '01b'. Lower address bits ADDR<3:0> define the byte address inside the UID. If the application desires to read the first byte of the UID, the lower address bits ADDR<3:0> would need to be '0000b'.

When the end of the 128-bit UID number is reached (16 bytes of data), the data word address will roll-over back to the beginning of the 128-bit UID number. The Unique ID Read operation is terminated when the microcontroller does not respond with a zero (ACK) and instead issues a Stop condition (see Figure 4).



Figure 4. Read Unique ID



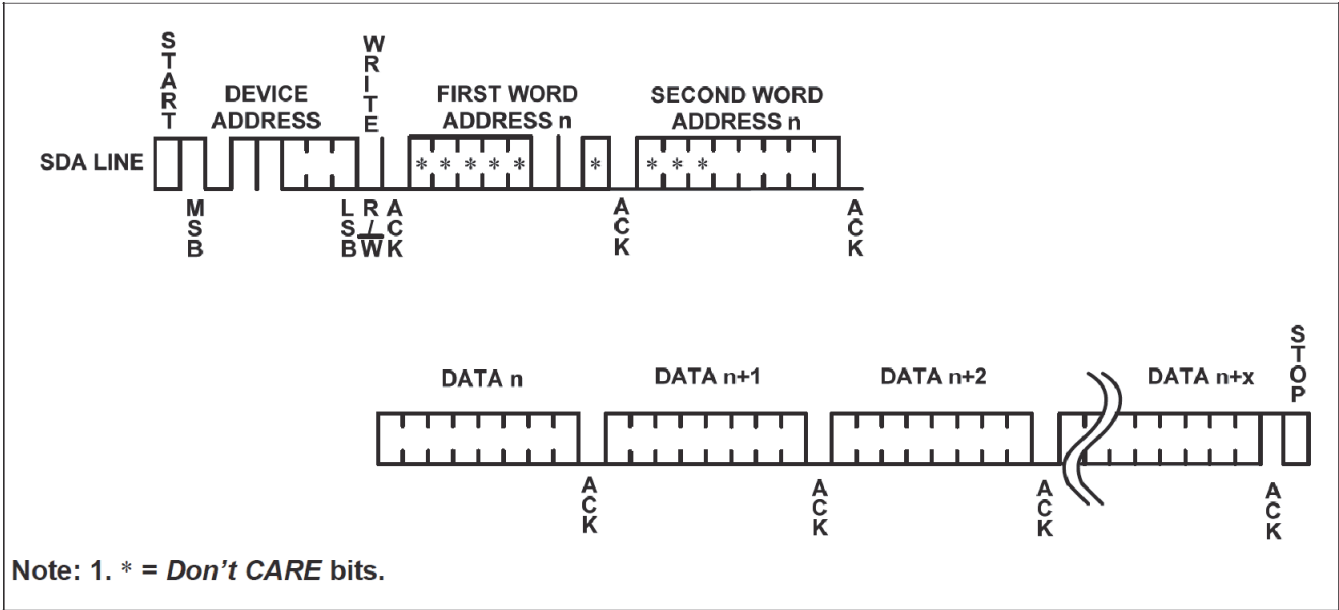
## 10. Identification Page

### Write Identification Page

Write the Identification Page is similar to the page write but requires use of device address, and the special word address seen in Table 1 to Table 3. The higher address bits ADDR<12:5> are don't care except for address bits ADDR<10:9> , which must be equal to '00b'. Lower address bits ADDR<4:0> define the byte address inside the Security Sector (see Figure 5).

If the Identification Page is locked, the data bytes transferred during the Write Security Sector operation are not acknowledged (NoAck).

Figure 5. Write the Identification Page

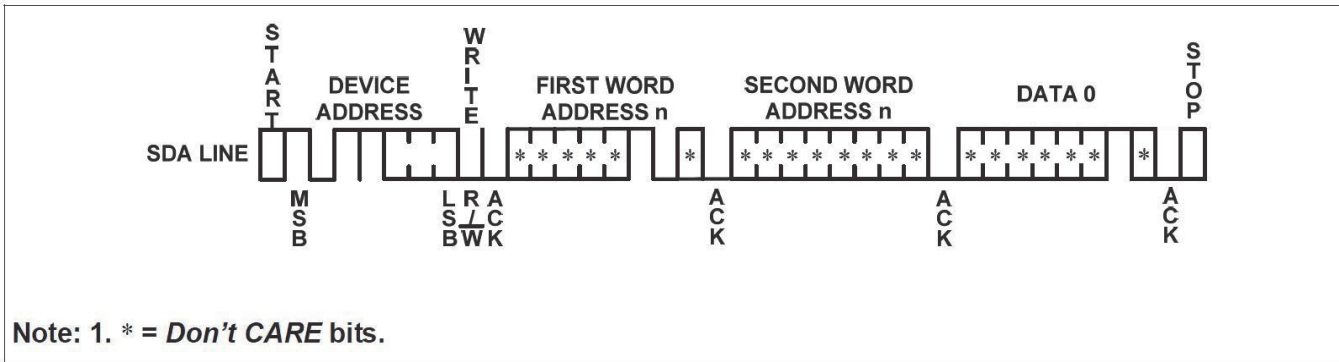


**Identification Page Lock**

Lock the Identification Page is similar to the byte write but requires use of device address, and special word address seen in Table 1 to Table 3. The word address bits ADDR<10:9> must be '10b', all other word address bits are don't care. The data byte must be equal to the binary value xxxx xx1x(see Figure 6).

If the Identification Page is locked, the data bytes transferred during the Identification Page Lock operation are not acknowledged (NoAck).

**Figure 6. Identification Page Lock**



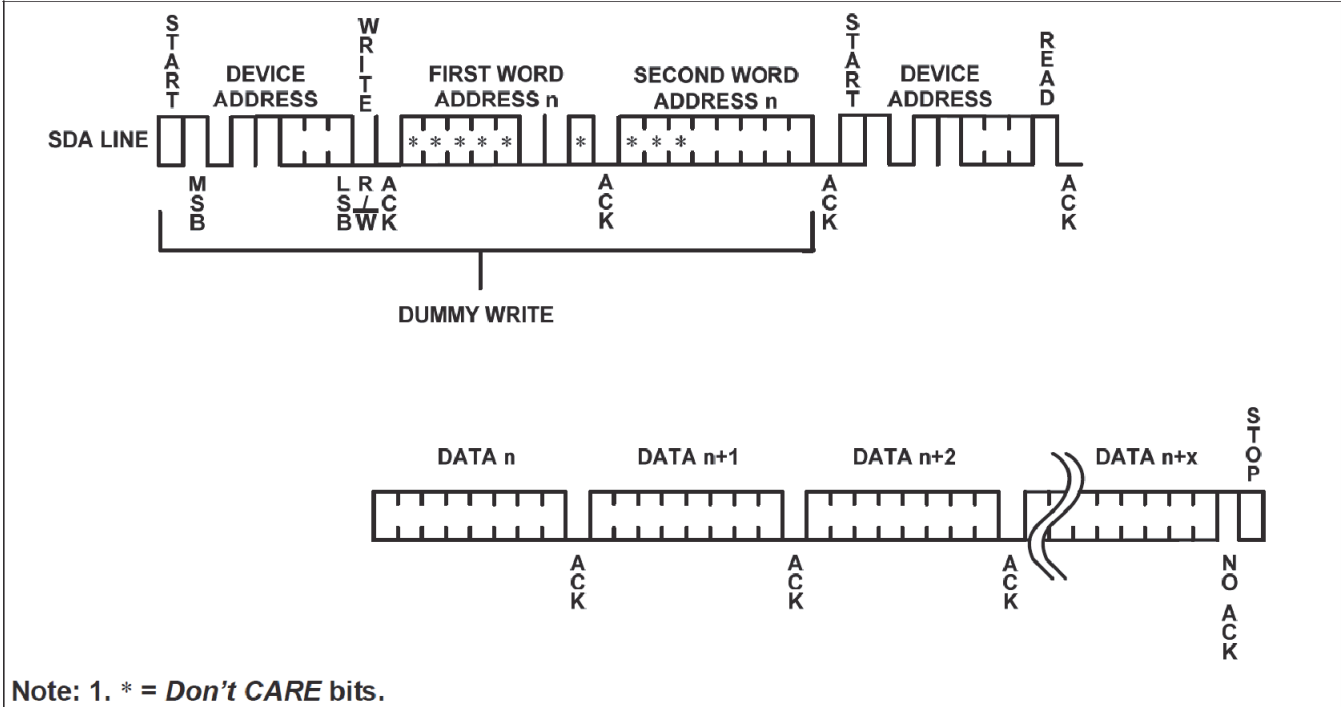
**Read Identification Page**

Read the Identification Page is similar to the random read but requires use of device address, a dummy write, and the use of specific word address seen in Table 2 and Table 3. The higher address bits ADDR<12:5> are don't care

except for address bits ADDR<10:9> , which must be equal to '00b'. The lower address bits ADDR<4:0> define the byte address inside the Identification Page.

The internal byte address is automatically incremented to the next byte address after each byte of data is clocked out. When the last byte (1Fh) is reached, it will roll over to 00h, the first byte of the Security Sector, and continue to increment. (see Figure 7).

Figure 7. Read Identification Page



**Read Lock Status**

There are two ways to check the lock status of the Identification Page.

1. The first way is initiated by an Identification Page Write, the EEPROM will acknowledge if the Security Sector is unlocked, while it will not acknowledge if the Identification Page is locked.

Once the acknowledge bit is read, it is recommended to generate a Start condition followed by a Stop condition, so that:

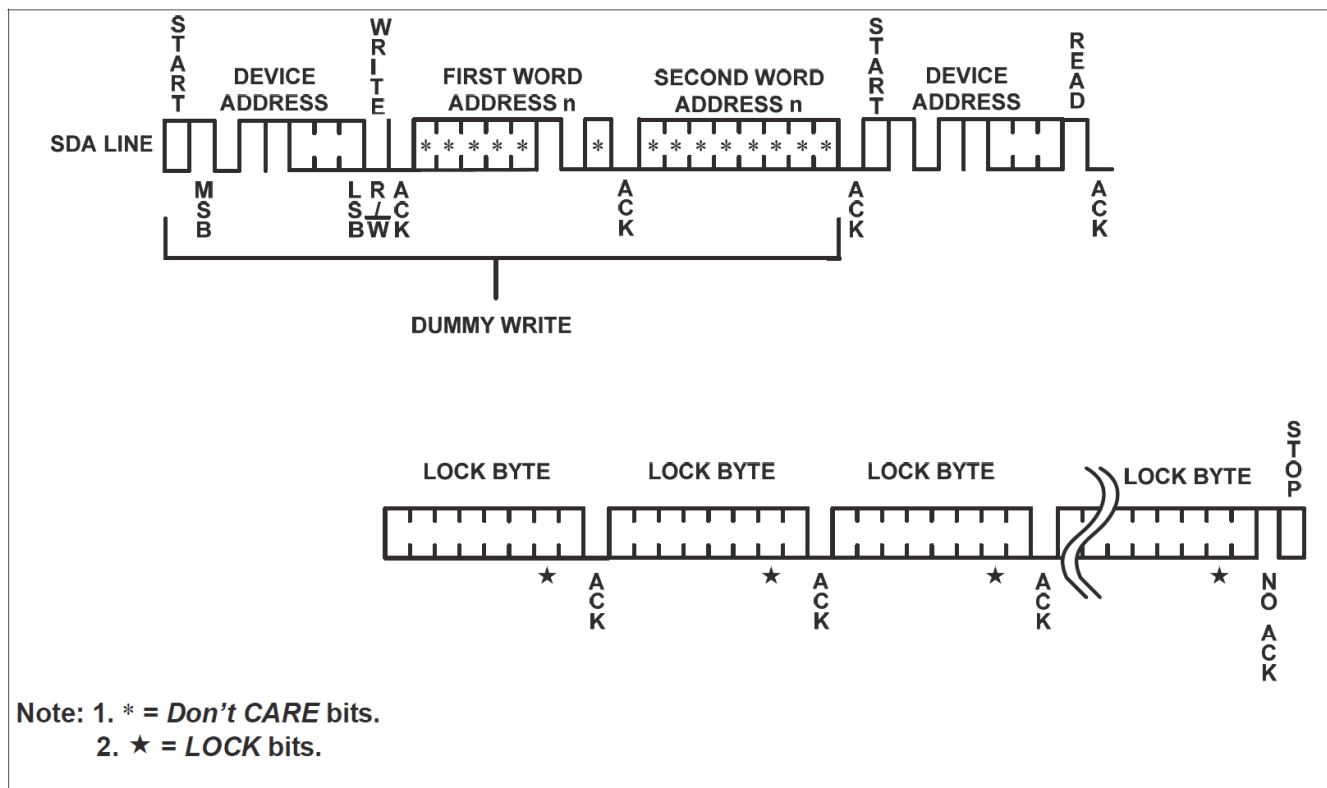
Start: the truncated command is not executed because the Start condition resets the device internal logic

Stop: the device is then set back into Standby mode by the Stop condition.

2. The second way is initiated by a Lock Status Read. Lock Status Read is similar to the random read but requires use of device address seen in Table 1, a dummy write, and the use of specific word address. The address bits ADDR<10:9> must be '10b', all other address bits are Don't Care. The Lock bit is the BIT1 of the byte read on SDA. It is at "1" when the lock is active and at "0" when the lock is not active.

The same data is shifted out repeatedly until the microcontroller does not respond with a zero but does generate a following stop condition (see Figure 8).

Figure 8. Read Lock Status



## 11. Pin Capacitance

| SYMBOL      | PARAMETER          | CONDITIONS               | Max | Units |
|-------------|--------------------|--------------------------|-----|-------|
| $C_{IN}^1$  | Input Capacitance  | $V_{IN} = 0V, f = 1MHz$  | 6   | pF    |
| $C_{OUT}^1$ | Output Capacitance | $V_{OUT} = 0V, f = 1MHz$ | 8   | pF    |

Note: 1. This parameter is characterized and is not 100% tested.

## 12. DC Characteristics

Applicable over recommended operating range from:  $T_A = -40^{\circ}C$  to  $+85^{\circ}C$ ,  $V_{CC} = +1.7V$  to  $+5.5V$ , (unless otherwise noted).

| Symbol                       | Parameter              | Test Condition   | Min                  | Typ  | Max                  | Units |
|------------------------------|------------------------|--|----------------------|------|----------------------|-------|
| V <sub>CC</sub>              | Supply Voltage         |  | 1.7                  |      | 5.5                  | V     |
| I <sub>CC1</sub>             | Supply Current         | V <sub>CC</sub> = 1.8V, Read at 400kHz                         |                      | 0.08 | 0.3                  | mA    |
|                              |                        | V <sub>CC</sub> = 5.5V, Read at 1MHz                           |                      | 0.15 | 0.5                  | mA    |
| I <sub>CC2</sub>             | Supply Current         | V <sub>CC</sub> = 5.0V, Write at 1MHz                          |                      | 0.2  | 1                    | mA    |
| I <sub>SB1</sub>             | Standby Current        | V <sub>CC</sub> = 1.7V, V <sub>IN</sub> = V <sub>CC</sub> /GND |                      | 0.2  | 1                    | uA    |
| I <sub>SB2</sub>             | Standby Current        | V <sub>CC</sub> = 5.5V, V <sub>IN</sub> = V <sub>CC</sub> /GND |                      | 0.5  | 1                    | uA    |
| I <sub>LI</sub>              | Input Leakage Current  | V <sub>IN</sub> = V <sub>CC</sub> or V <sub>SS</sub>           |                      | 0.1  | 3                    | uA    |
| I <sub>LO</sub>              | Output Leakage Current | V <sub>OUT</sub> = V <sub>CC</sub> or V <sub>SS</sub>          |                      | 0.05 | 3                    | uA    |
| V <sub>IL</sub> <sup>1</sup> | Input Low Level        |  | -0.6                 |      | V <sub>CC</sub> x0.3 | V     |
| V <sub>IH</sub> <sup>1</sup> | Input High Level       |  | V <sub>CC</sub> x0.7 |      | V <sub>CC</sub> +0.5 | V     |
| V <sub>OL2</sub>             | Output Low Level       | V <sub>CC</sub> = 5.5V, I <sub>OL</sub> = 2.1mA                |                      |      | 0.4                  | V     |
| V <sub>OL1</sub>             | Output Low Level       | V <sub>CC</sub> = 1.8V, I <sub>OL</sub> = 0.15mA               |                      |      | 0.2                  | V     |

## Notes:

1. This parameter is characterized but is not 100% tested in production.

### 13. AC Characteristics

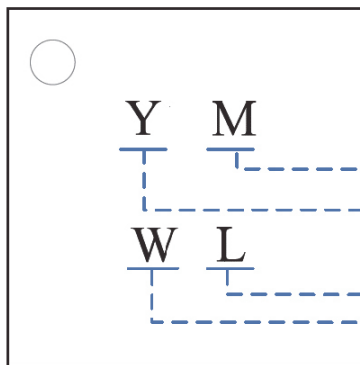
Recommended operating conditions: TA = -40°C to +85°C, V<sub>CC</sub> = +1.7V to +5.5V, C<sub>L</sub> = 100 pF (unless otherwise noted). Test conditions are listed in Note 2.

| Symbol                        | Parameter                            | 400KHz |     | 1MHz |      | Units |
|-------------------------------|--------------------------------------|--------|-----|------|------|-------|
|                               |                                      | Min    | Max | Min  | Max  |       |
| f <sub>SCL</sub>              | Clock Frequency, SCL                 |        | 400 |      | 1000 | KHz   |
| t <sub>LOW</sub>              | Clock Pulse Width Low                | 1300   |     | 500  |      | ns    |
| t <sub>HIGH</sub>             | Clock Pulse Width High               | 600    |     | 400  |      |       |
| t <sub>I</sub> <sup>1</sup>   | Input Filter Spike Suppression       |        | 100 |      | 100  | ns    |
| t <sub>AA</sub>               | Clock Low to Data Out Valid          |        | 900 |      | 450  | ns    |
| t <sub>BUF</sub> <sup>1</sup> | Bus Free Time between Stop and Start | 1300   |     | 500  |      | ns    |
| t <sub>HD.STA</sub>           | Start Condition Hold Time            | 600    |     | 250  |      | ns    |
| t <sub>SU.STA</sub>           | Start Condition Set-up Time          | 600    |     | 250  |      | ns    |
| t <sub>HD.DAT</sub>           | Data In Hold Time                    | 0      |     | 0    |      | ns    |
| t <sub>SU.DAT</sub>           | Data In Set-up Time                  | 100    |     | 100  |      | ns    |
| t <sub>R</sub>                | Inputs Rise Time                     |        | 300 |      | 100  | ns    |

|         |                            |     |     |     |     |    |
|---------|----------------------------|-----|-----|-----|-----|----|
| tF      | Inputs Fall Time           |     | 300 |     | 100 | ns |
| tsu.STO | Stop Condition Set-up Time | 600 |     | 400 |     | ns |
| tDH     | Data Out Hold Time         | 50  |     | 50  |     | ns |
| tWR     | Write Cycle Time           |     | 5   |     | 5   | ms |

Notes: 1. This parameter is characterized and is not 100% tested.

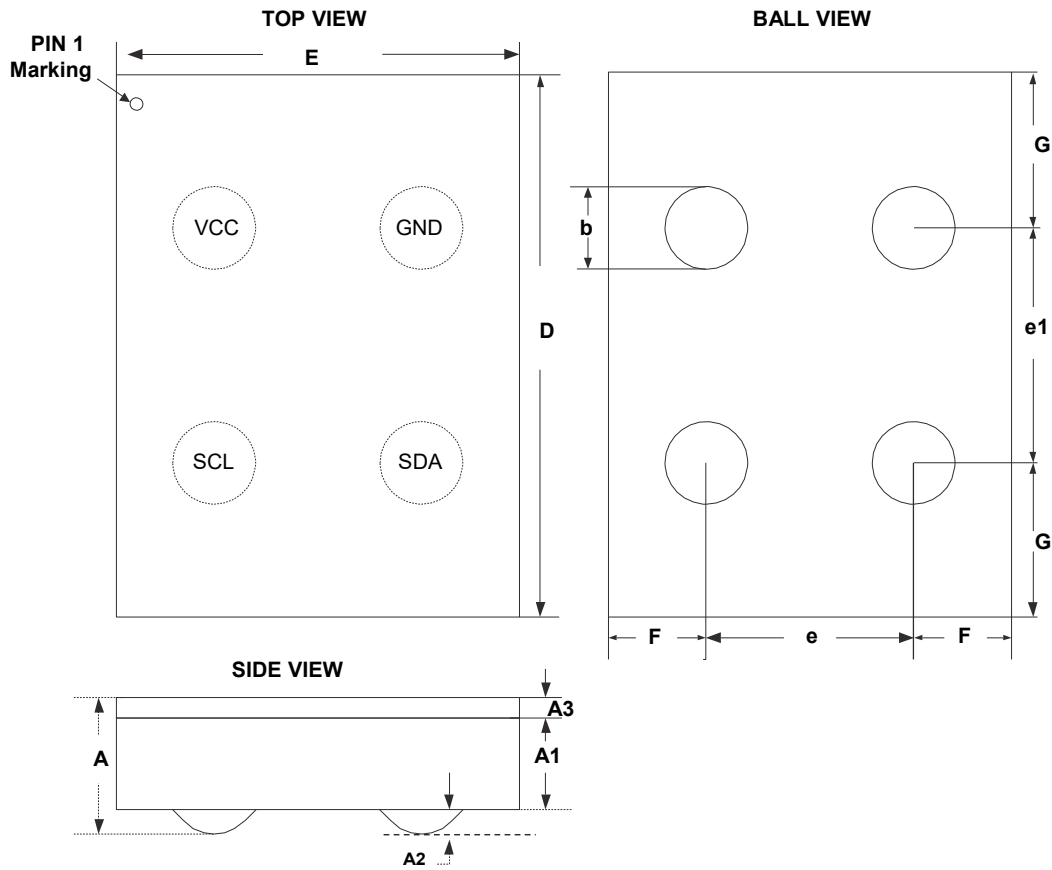
### 14. Part Marking Scheme



- The month (hexadecimal digit) in which the product was molded.
- The last one digit of the year In which the products was sealed / molded (just with 0~9)
- Lot Number (just with a ~ z, A~Z, 0~9)
- Product Density & Assembly's Code

### 15. Packaging Information

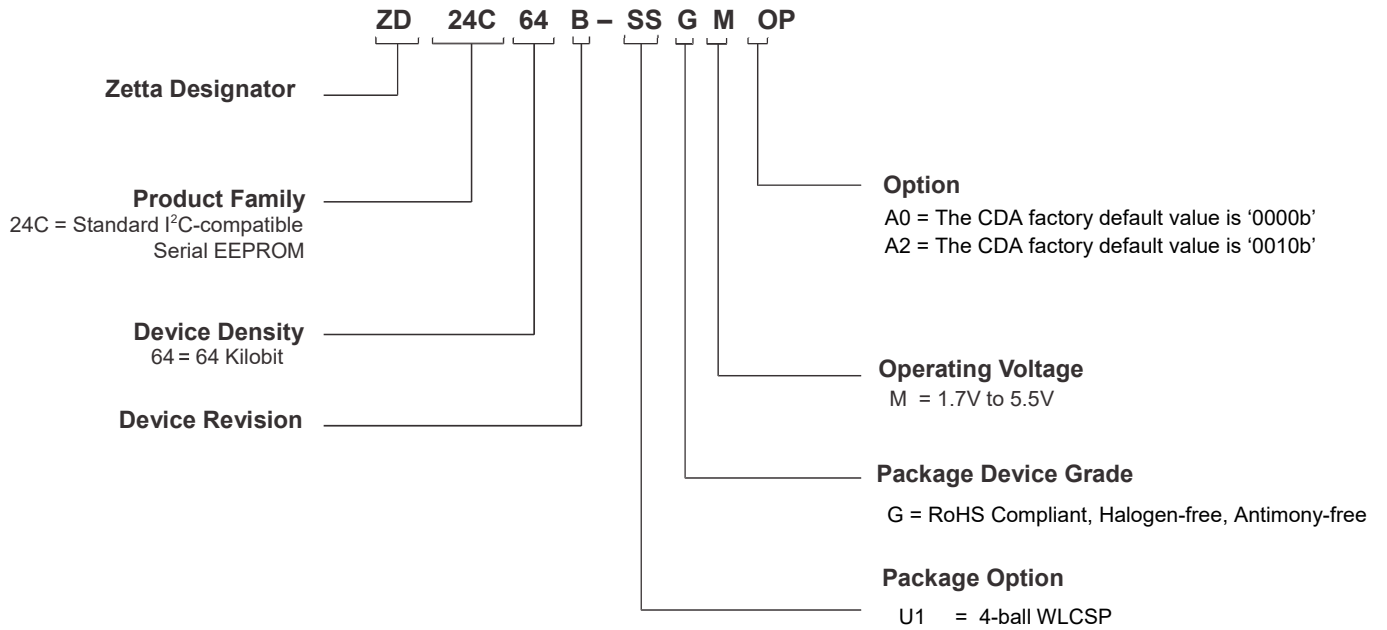
#### Thin 4-ball WLCSP



| Symbol | Millimeters |       |        |
|--------|-------------|-------|--------|
|        | Min         | Typ   | Max    |
| A      | 0.260       | 0.280 | 0.300  |
| b      | -           | 0.160 | -      |
| A1     | 0.1875      | 0.200 | 0.2125 |
| A2     | 0.0425      | 0.055 | 0.0575 |
| A3     | 0.02        | 0.025 | 0.03   |
| D      | 0.670       | 0.690 | 0.710  |
| E      | 0.626       | 0.646 | 0.666  |
| e      | -           | 0.400 | -      |
| e1     | -           | 0.400 | -      |
| F      | -           | 0.116 | -      |
| G      | -           | 0.139 | -      |

**NOTE: Dimensions are in Millimeters.**

## 16. Ordering Information





## 17. Revision History

| Version     | Date       | Comments                            |
|-------------|------------|-------------------------------------|
| Preliminary | June. 2018 | Initial document Release.           |
| V1.1        | Mar. 2019  | Update package size(package D & E). |