

RA8D1 Microcontroller



File: RA8D1_Microcontroller.kicad_sch

ART-Link



File: ART-Link.kicad_sch

SDcard&Flash



File: SDcard.kicad_sch

RA8D1 MCU – Power and Clocks



File: RA8D1 MCU – Power and Clocks.kicad_sch

Power



File: power.kicad_sch

Camera Interface



File: Camera Interface.kicad_sch

USB INTERFACE



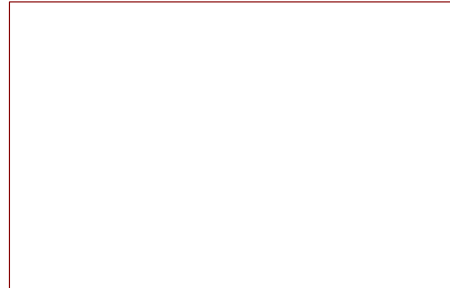
File: USB INTERFACE.kicad_sch

MIPI LCD DISPLAY INTERFACE



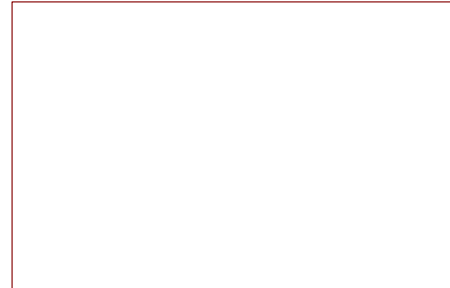
File: MIPI LCD DISPLAY INTERFACE.kicad_sch

SDRAM



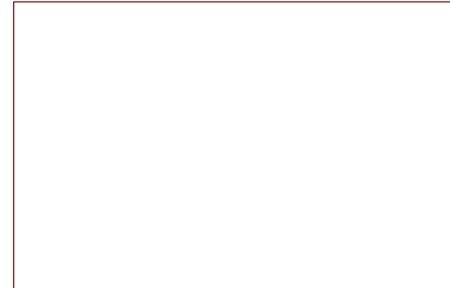
File: SDRAM.kicad_sch

WIFI-RW007



File: WIFI-AP6212.kicad_sch

BTB&RPI



File: BTB&RPI.kicad_sch

Vision Board



<https://www.rt-thread.org/>

RT-Thread 上海睿展德电子科技有限公司

Sheet: /
File: RA8_main.kicad_sch

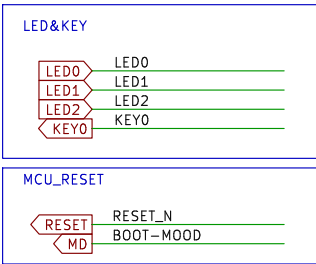
Title:

Size: A4 Date:2024-2-26

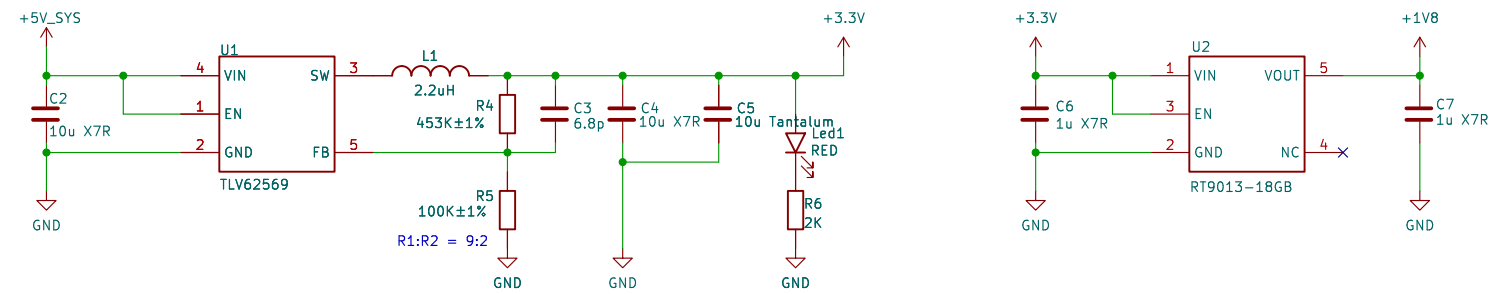
Rev:HW:V1.2

KiCad E.D.A. kicad 7.0.5

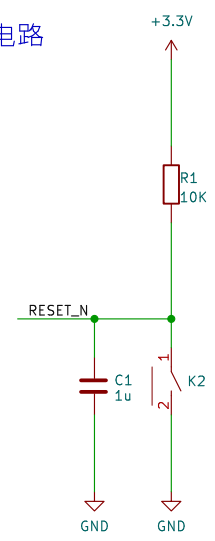
Id: 1/12



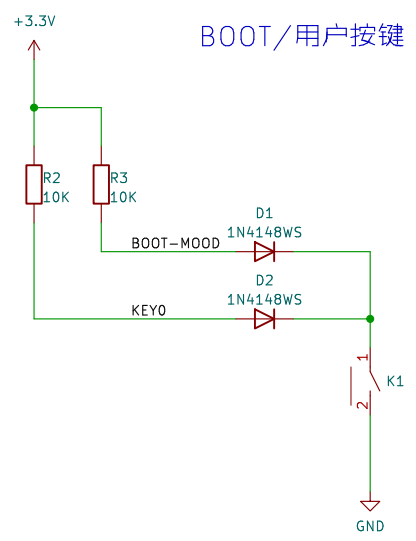
电源供电



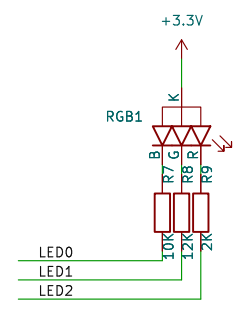
复位电路



BOOT/用户按键



RGB

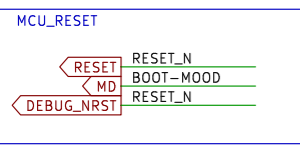


Vision Board

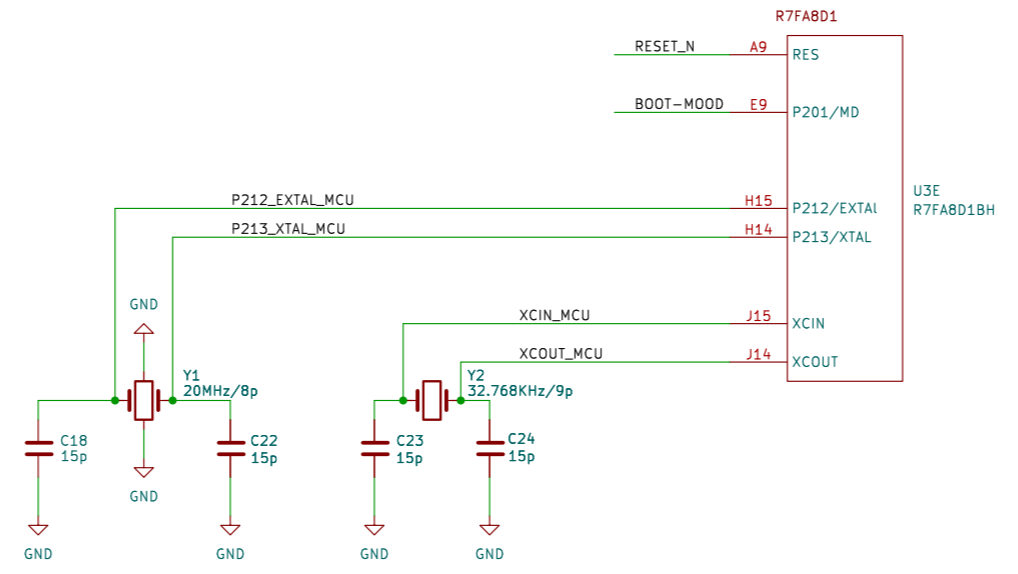


<https://www.rt-thread.org/>
RT-Thread 上海睿展电子科技有限公司

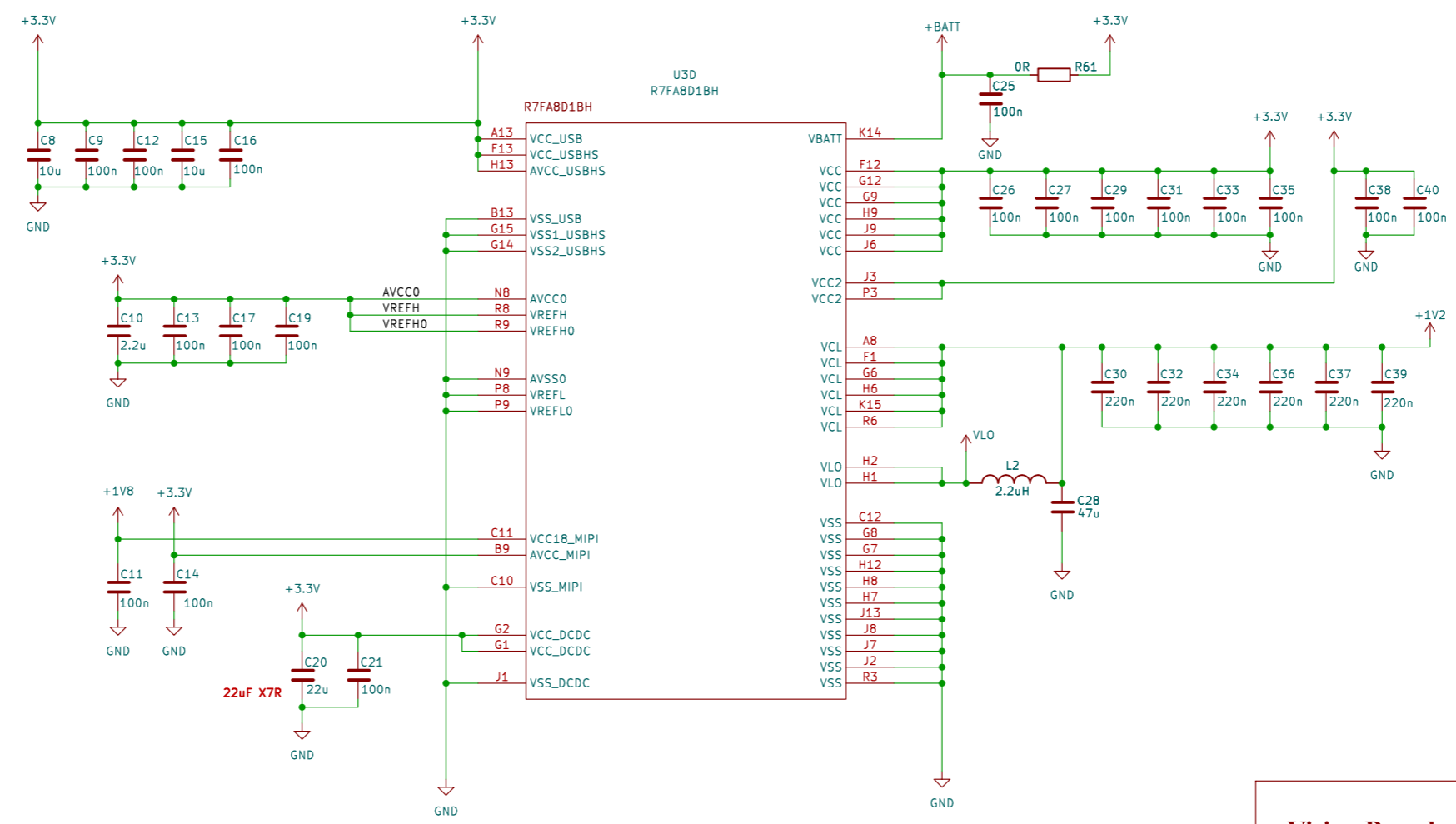
Sheet: /Power/ File: power.kicad_sch	
Title:	
Size: A4	Date:2024-2-26
KiCad E.D.A. kicad 7.0.5	Rev:HW:V1.2 Id: 2/12



晶振电路



MCU供电电路



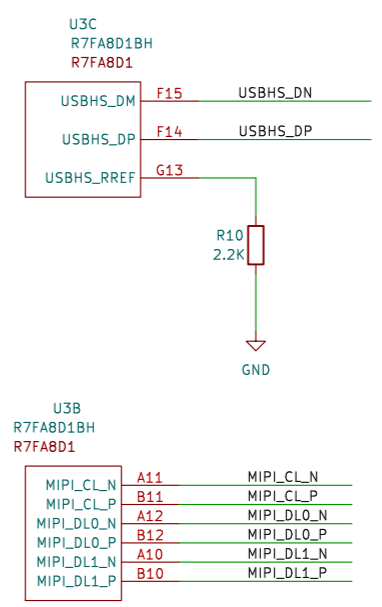
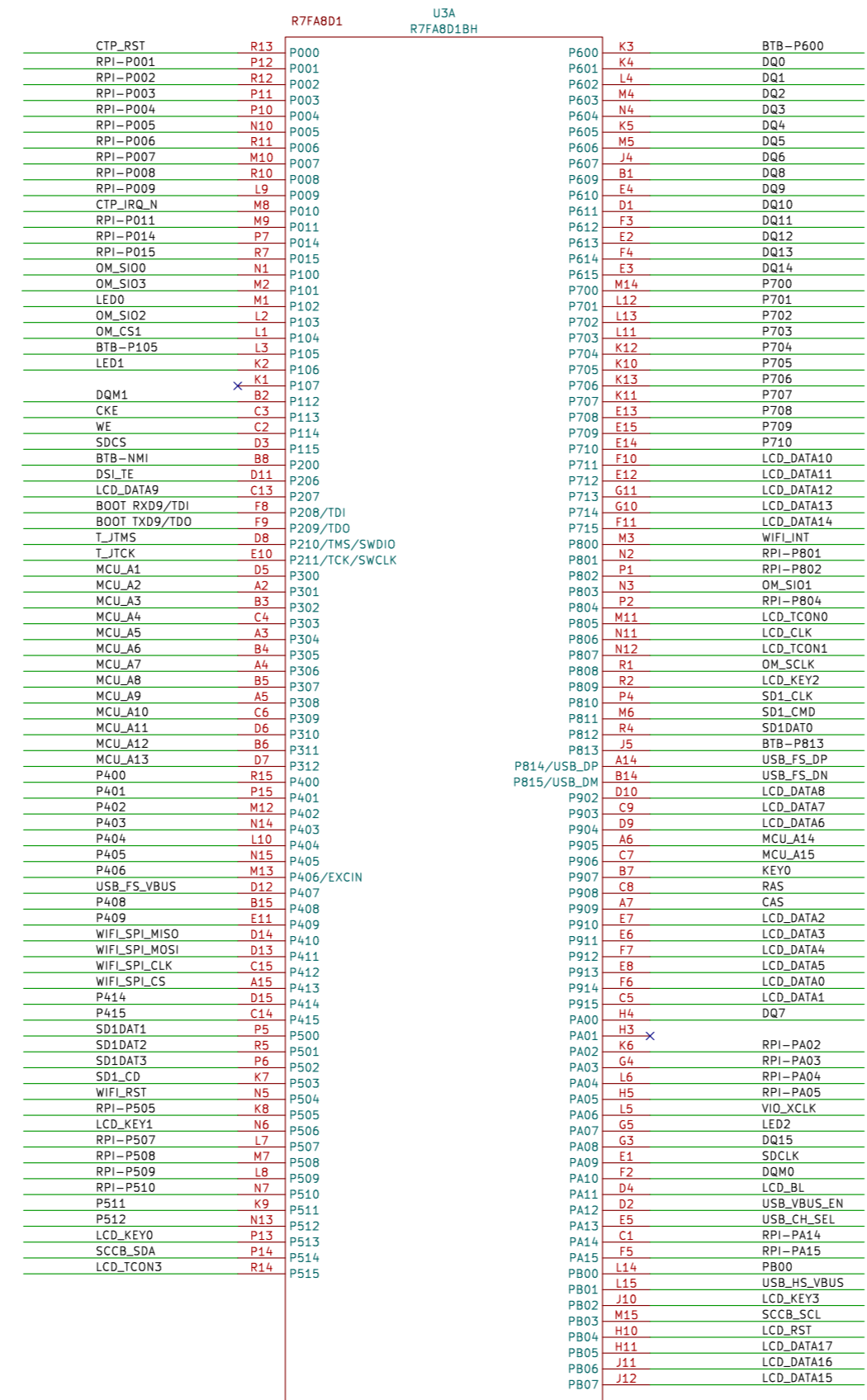
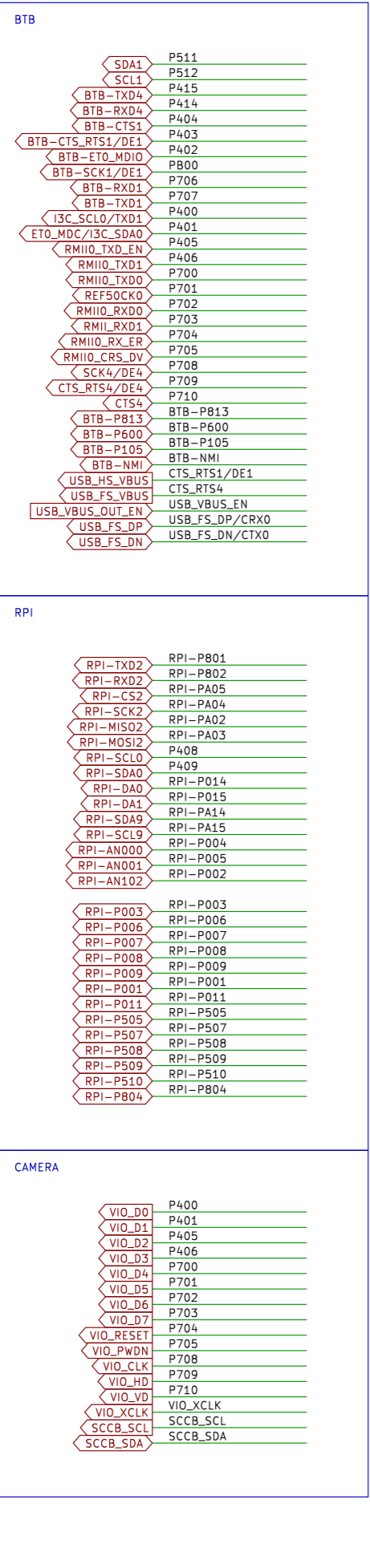
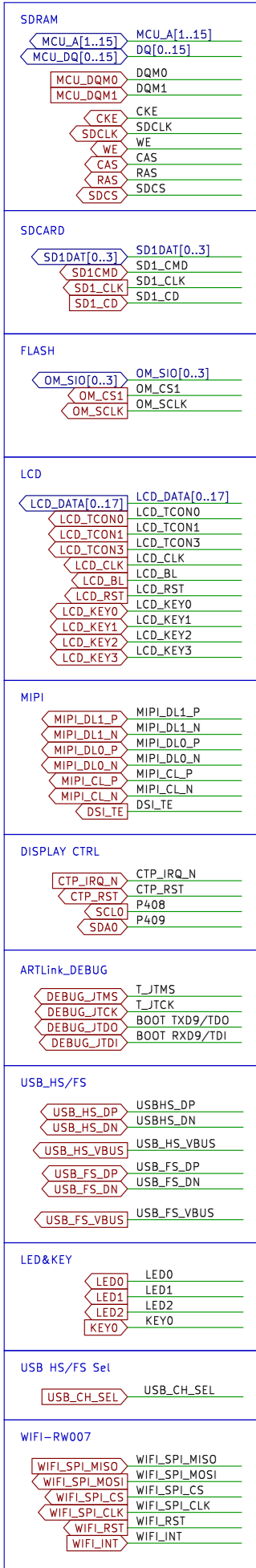
Vision Board

<https://www.rt-thread.org/>
RT-Thread 上海睿赛德电子科技有限公司

Sheet: /RABD1 MCU - Power and Clocks/
File: RABD1 MCU - Power and Clocks.kicad_sch

Title:

Size: A3	Date: 2024-2-26	Rev: HW-V1.2
KiCad E.D.A. kicad 7.0.5		Id: 3/12



Vision Board

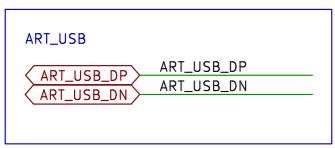
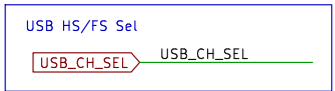
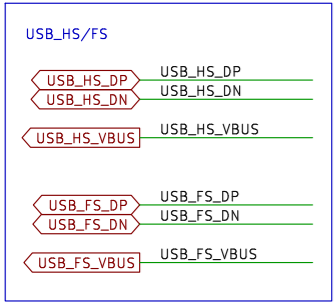


<https://www.rt-thread.org/>
 RT-Thread 上海睿赛德电子科技有限公司

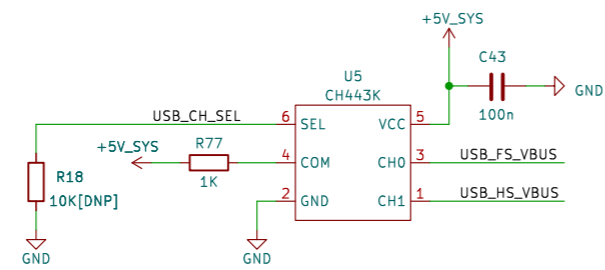
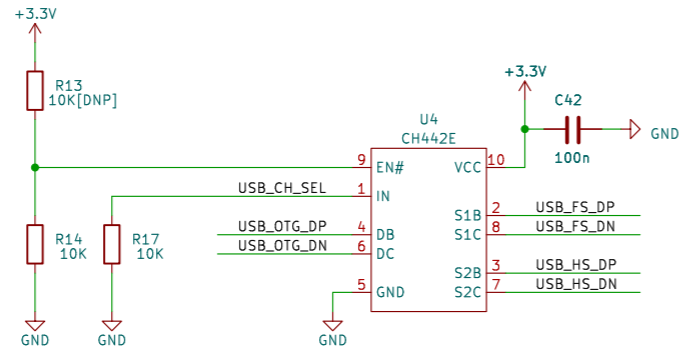
Sheet: /RA8D1 Microcontroller/
 File: RA8D1 Microcontroller.kicad_sch

Title:

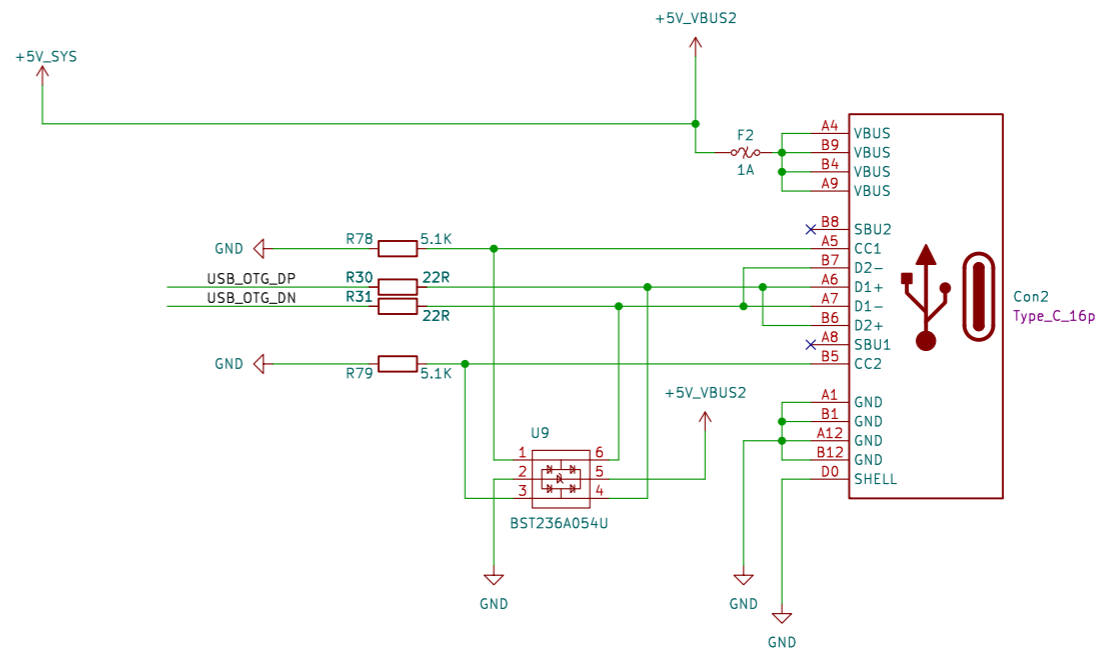
Size: A3	Date: 2024-2-26	Rev: HW:V1.2
KiCad E.D.A. kicad 7.0.5		Id: 4/12



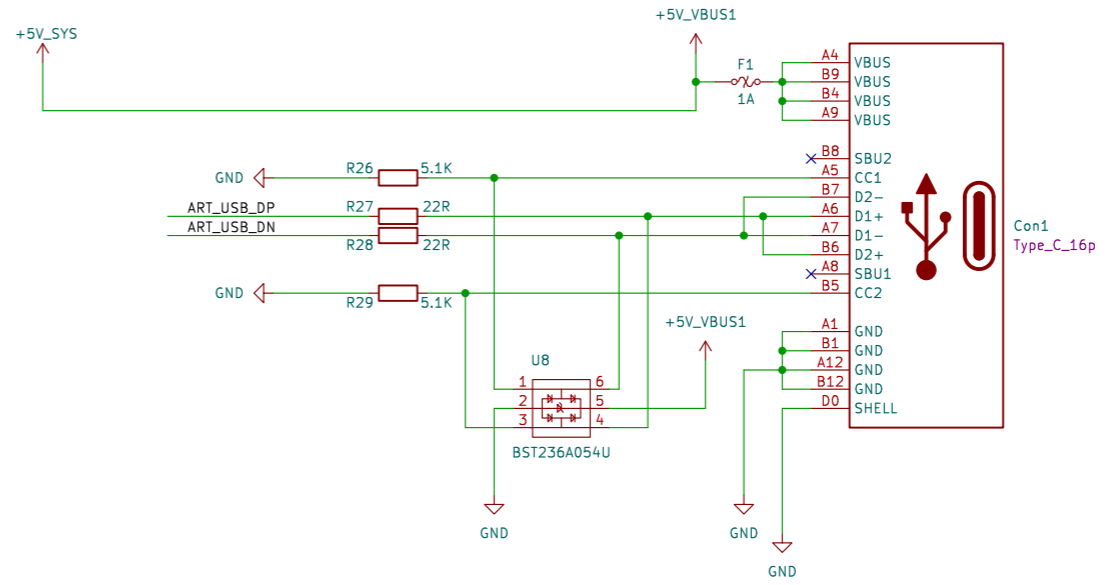
USB HS/FS切换电路



USB-HS/FS



USB-DEBUG



Vision Board



<https://www.rt-thread.org/>
RT-Thread 上海睿赛德电子科技有限公司

Sheet: /USB INTERFACE/
File: USB INTERFACE.kicad_sch

Title:

Size: A3	Date: 2024-2-26	Rev: HW: V1.2
KiCad E.D.A. kicad 7.0.5		Id: 5/12

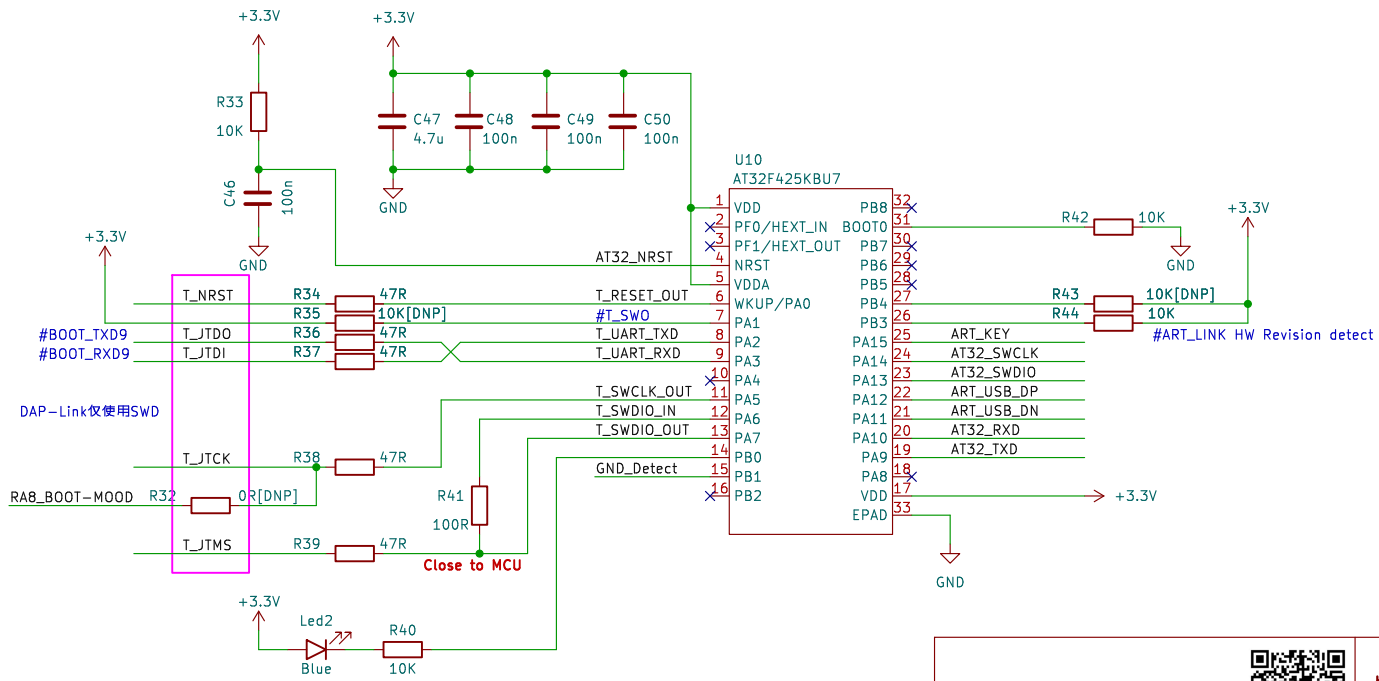
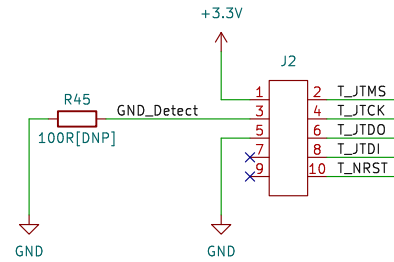
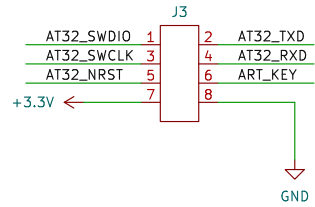
MCU AT32F425

ARTLink_DEBUG

DEBUG_JTMS	T_JTMS
DEBUG_JTCK	T_JTCK
DEBUG_JTDO	T_JTDO
DEBUG_JTDI	T_JTDI
MD	RA8_BOOT-MOOD
DEBUG_NRST	T_NRST

ART_LINK_USB

ART_USB_DP	ART_USB_DP
ART_USB_DN	ART_USB_DN



Vision Board



<https://www.rt-thread.org/>

RT-Thread 上海睿展电子科技有限公司

Sheet: /ART-Link/
File: ART-Link.kicad_sch

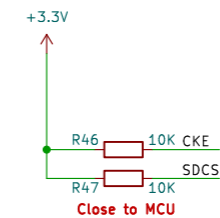
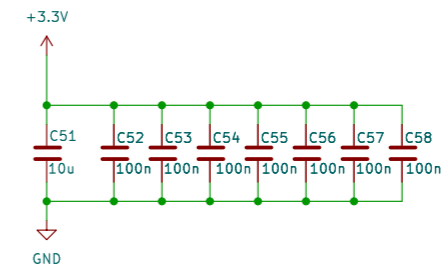
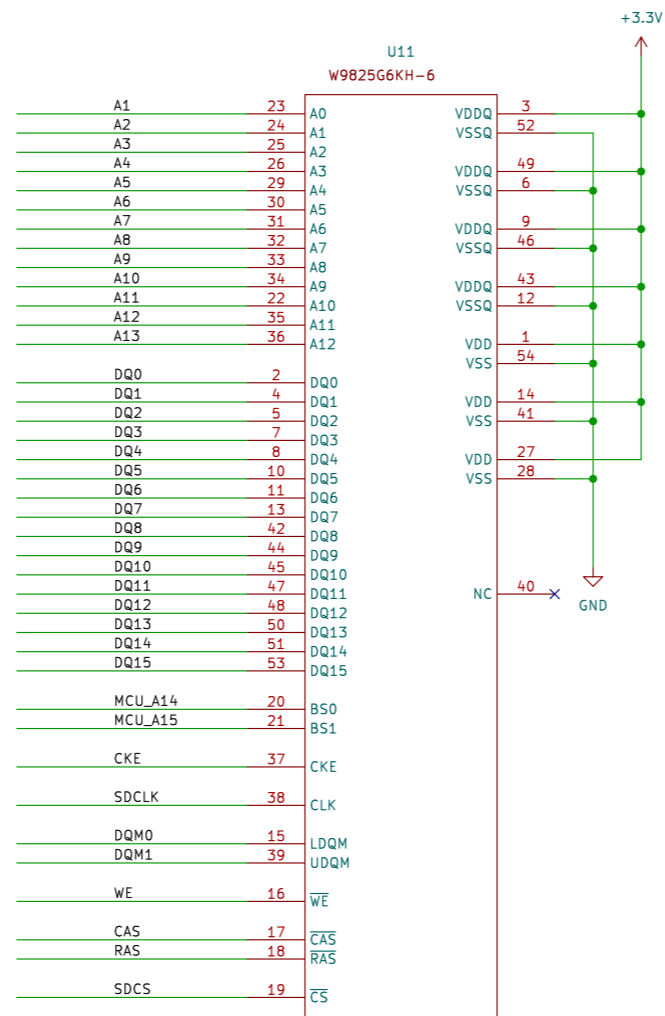
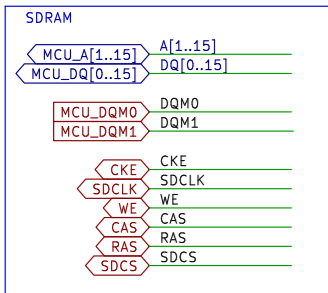
Title:

Size: A4
KiCad E.D.A. kicad 7.0.5

Date:2024-2-26

Rev:HW:V1.2

Id: 6/12



Vision Board



<https://www.rt-thread.org/>

RT-Thread 上海睿赛德电子科技有限公司

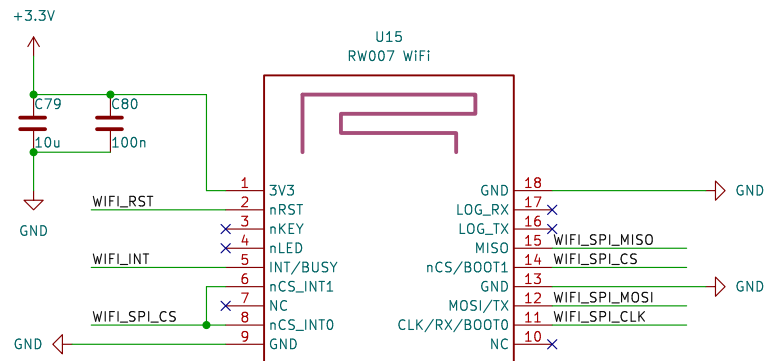
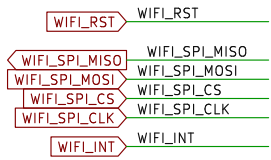
Sheet: /SDRAM/
File: SDRAM.kicad_sch

Title:

Size: A3 Date:2024-2-26
KiCad E.D.A. kicad 7.0.5

Rev:HW:V1.2
Id: 7/12

WIFI-RW007



Vision Board



<https://www.rt-thread.org/>

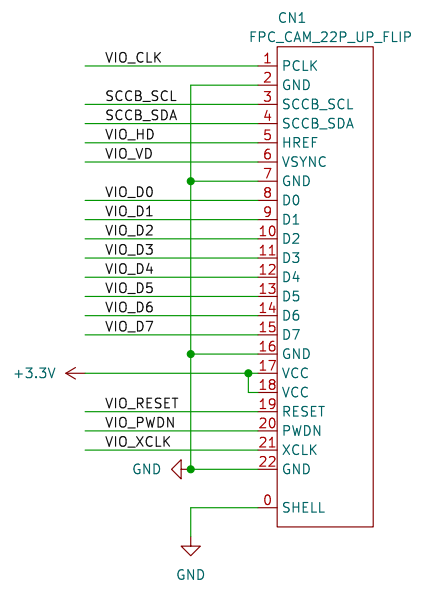
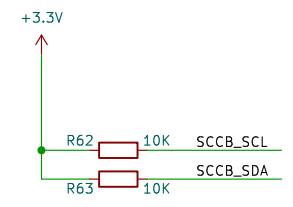
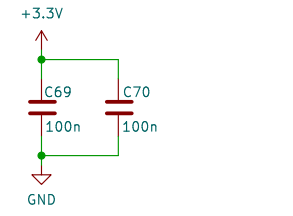
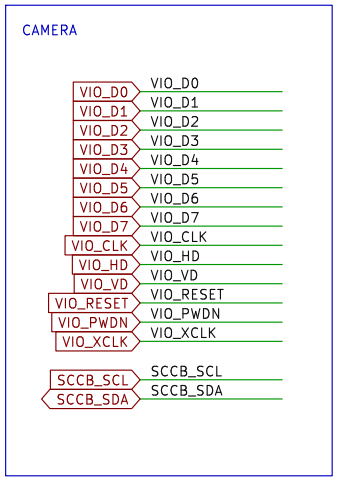
RT-Thread 上海睿展德电子科技有限公司

Sheet: /WIFI-RW007/
File: WIFI-AP6212.kicad_sch

Title:

Size: A4 Date:2024-2-26
KiCad E.D.A. kicad 7.0.5

Rev:HW:V1.2
Id: 8/12

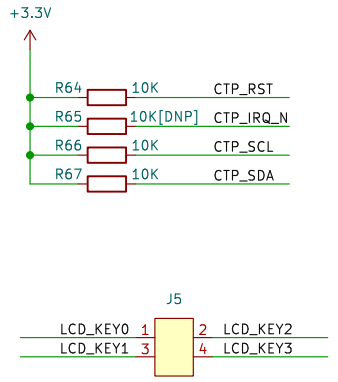
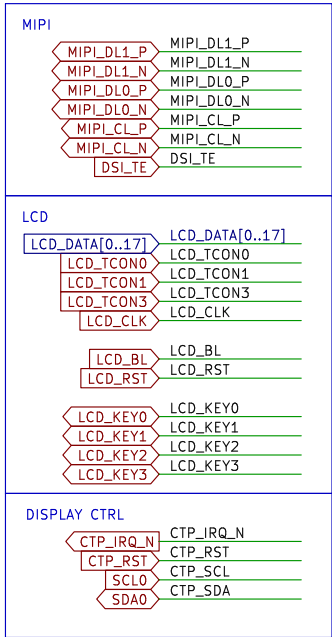


Vision Board

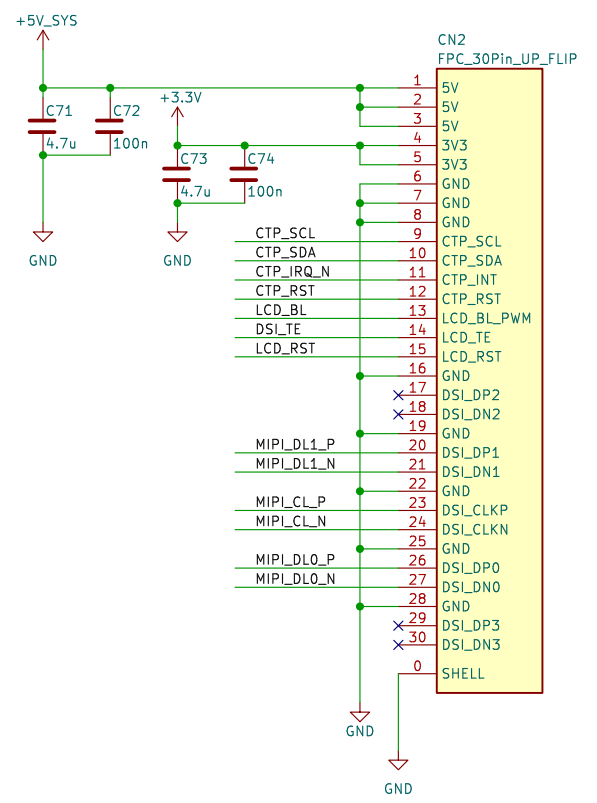
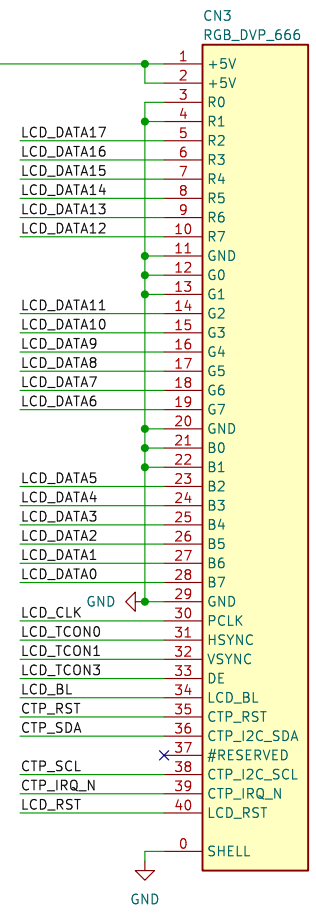


<https://www.rt-thread.org/>
RT-Thread 上海睿展电子科技有限公司


Sheet: /Camera Interface/ File: Camera Interface.kicad_sch	
Title:	
Size: A4	Date:2024-2-26
KiCad E.D.A. kicad 7.0.5	Rev:HW:V1.2 Id: 9/12



Pixel arrangement
- RGB
- BGR



Vision Board

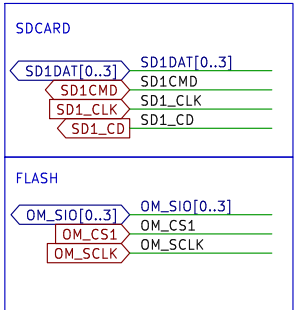


<https://www.rt-thread.org/>
RT-Thread 上海睿展德电子科技有限公司

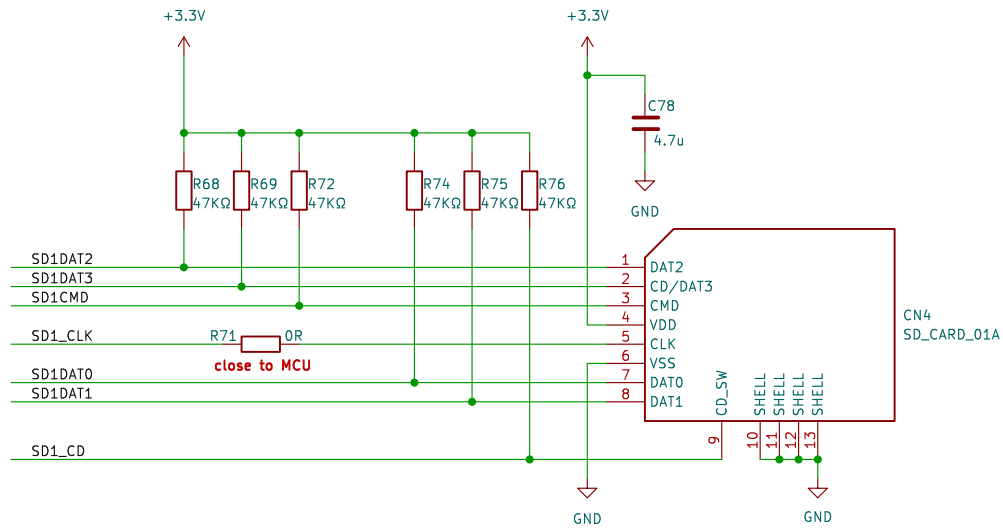
Sheet: /MIPI LCD DISPLAY INTERFACE/
File: MIPI LCD DISPLAY INTERFACE.kicad_sch

Title:

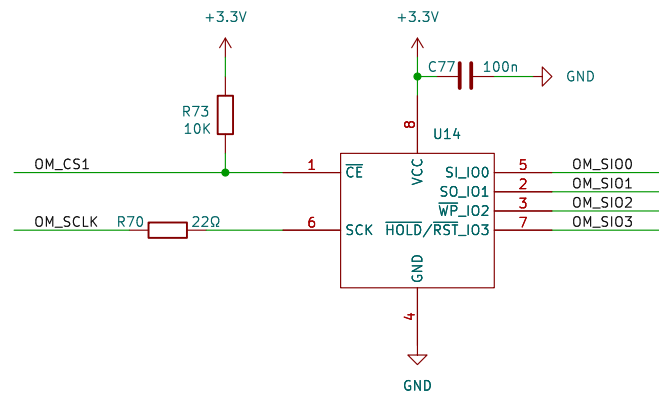
Size: A4	Date: 2024-2-26	Rev: HW: V1.2
KiCad E.D.A. kicad 7.0.5		Id: 10/12



SD-CARD



FLASH



Vision Board



<https://www.rt-thread.org/>

RT-Thread 上海睿展电子科技有限公司

Sheet: /SDcard&Flash/
 File: SDcard.kicad_sch

Title:

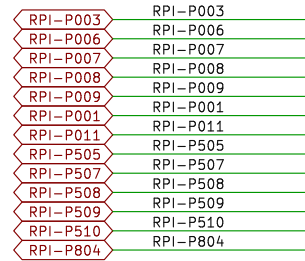
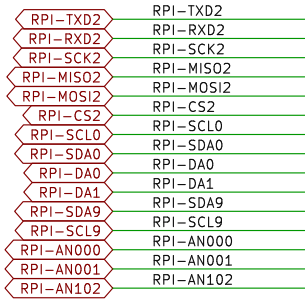
Size: A4 Date:2024-2-26

KiCad E.D.A. kicad 7.0.5

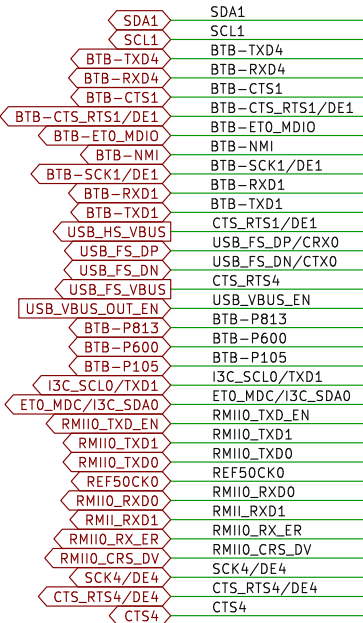
Rev:HW:V1.2

Id: 11/12

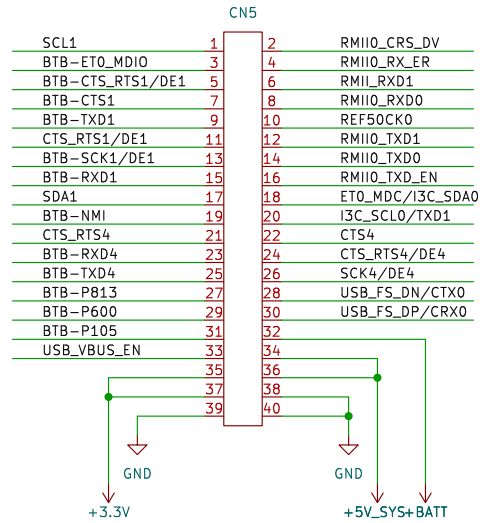
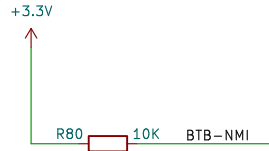
RPI



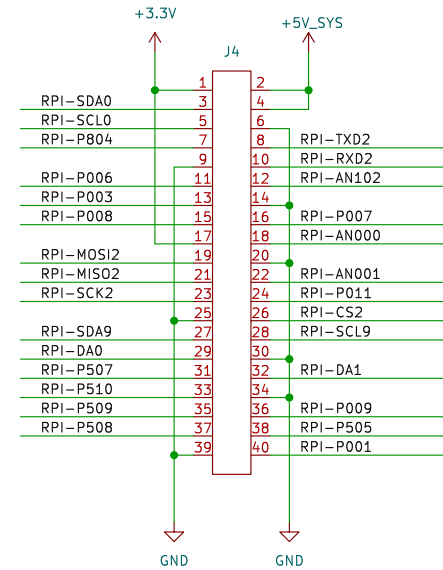
BTB



BTB



树莓派接口



Vision Board



<https://www.rt-thread.org/>

RT-Thread 上海睿展德电子科技有限公司

Sheet: /BTB&RPI/
File: BTB&RPI.kicad_sch

Title:

Size: A4 Date:2024-2-26

KiCad E.D.A. kicad 7.0.5

Rev:HW:V1.2

Id: 12/12