

### DESCRIPTION

The JW<sup>®</sup>5255A is a monolithic buck switching regulator based on constant on-time (COT) control for fast transient response. Operating with an input range of 2.5V-5.5V, the JW5255A delivers 5A of continuous output current with integrated P-Channel and N-Channel MOSFETs. The internal synchronous power switches provide high efficiency. At light loads, the regulator operates in low frequency to maintain high efficiency.

The JW5255A guarantees robustness with hiccup output short-circuit protection, FB short-circuit protection, start-up current run-away protection, input under voltage lockout and thermal protection.

The JW5255A is available in 10-pin DFN3X3-10 package, which provides a compact solution with minimal external components.

*Company's Logo is Protected, "JW" and "JOULWATT" are Registered Trademarks of JoulWatt technology Inc.*

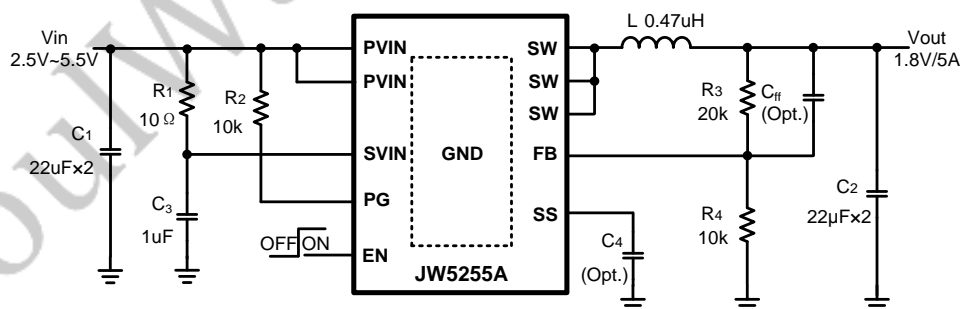
### FEATURES

- 2.5V to 5.5V operating input range
- Up to 5A output current
- Up to 94% peak efficiency
- High efficiency at light load
- Adjustable soft-start
- 1MHz switching frequency
- Input under voltage lockout
- Short circuit protection
- Thermal protection
- Power good indication
- Available in DFN3x3-10 package

### APPLICATIONS

- 5V or 3.3V Point of Load Conversion
- LCD TV
- Notebook PC
- Storage Equipment
- GPU/DDR Power Supply

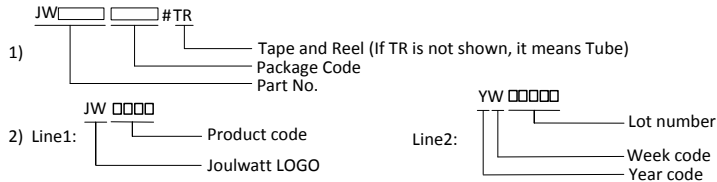
### TYPICAL APPLICATION



**ORDER INFORMATION**

DEVICE <sup>1)</sup>	PACKAGE	TOP MARKING <sup>2)</sup>	ENVIRONMENTAL <sup>3)</sup>
JW5255ADFN#TR	DFN3x3-10	JW5255 YW□□□□□	Green

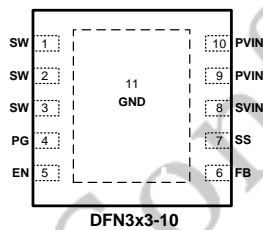
**Notes:**



3) All Joulwatt products are packaged with Pb-free and Halogen-free materials and compliant to RoHS standards.

**PIN CONFIGURATION**

**TOP VIEW**



**ABSOLUTE MAXIMUM RATING<sup>1)</sup>**

PVIN,SVIN,SS,FB,EN,PG Pin	-0.3V to 6V
SW Pin	-0.3V(-3V for 10ns) to 6V(7.5V for 10ns)
Junction Temperature <sup>2)</sup>	150°C
Lead Temperature	260°C
Storage Temperature	-65°C to +150°C

**RECOMMENDED OPERATING CONDITIONS<sup>3)</sup>**

Input Voltage VIN	2.5V to 5.5V
Output Voltage Vout	0.6V to VIN
Operating Junction Temperature	-40°C to 125°C

**THERMAL PERFORMANCE<sup>4)</sup>**

$\theta_{JA}$      $\theta_{JC}$

DFN3x3-10	60	8°C/W
-----------	----	-------

**Note:**

- 1) Exceeding these ratings may damage the device. These stress ratings do not imply function operation of the device at any other conditions beyond those indicated under RECOMMENDED OPERATING CONDITIONS.
- 2) The JW5255A includes thermal protection that is intended to protect the device in overload conditions. Continuous operation over the specified absolute maximum operating junction temperature may damage the device.
- 3) The device is not guaranteed to function outside of its operating conditions.
- 4) Measured on JESD51-7, 4-layer PCB.

**ELECTRICAL CHARACTERISTICS**

<i>V<sub>IN</sub>=5V, T<sub>A</sub>=25 °C, unless otherwise stated.</i>						
<b>Item</b>	<b>Symbol</b>	<b>Condition</b>	<b>Min.</b>	<b>Typ.</b>	<b>Max.</b>	<b>Units</b>
V <sub>IN</sub> Under Voltage Lockout Threshold	V <sub>IN_UVLO</sub>	V <sub>IN</sub> rising	2.3	2.4	2.5	V
V <sub>IN</sub> Under Voltage Lockout Hysteresis <sup>5)</sup>	V <sub>IN_UVLO_HYST</sub>	V <sub>IN</sub> falling		200		mV
Shutdown Current	I <sub>SHDN</sub>	V <sub>IN</sub> =5.5V, V <sub>EN</sub> 0V		0.1	1	μA
Quiescent Current	I <sub>Q</sub>	V <sub>EN</sub> =5V, I <sub>OUT</sub> =0A, V <sub>FB</sub> =0.7V		60	90	μA
Regulated Feedback Voltage	V <sub>FB</sub>	2.5V<V <sub>IN</sub> <5.5V	0.591	0.6	0.609	V
PFET On Resistance <sup>5)</sup>	R <sub>DSON_P</sub>	V <sub>IN</sub> =3.6V, I <sub>SW</sub> =200mA		40		mΩ
NFET On Resistance <sup>5)</sup>	R <sub>DSON_N</sub>	V <sub>IN</sub> =3.6V, I <sub>SW</sub> =-200mA		30		mΩ
PFET Leakage Current	I <sub>LEAK_P</sub>	V <sub>IN</sub> =5.5V, V <sub>EN</sub> =0V, V <sub>SW</sub> =0V			1	uA
NFET Leakage Current	I <sub>LEAK_N</sub>	V <sub>IN</sub> =5.5V, V <sub>EN</sub> =0V, V <sub>SW</sub> =5.5V			1	uA
PFET Current Limit <sup>5)</sup>	I <sub>LIM_TOP</sub>			9		A
NFET Current Limit <sup>5)</sup>	I <sub>LIM_BOT</sub>			6		A
Switch Frequency	F <sub>SW</sub>	I <sub>OUT</sub> =2A		1.0		MHz
Minimum On Time <sup>5)</sup>	T <sub>ON_MIN</sub>			60		ns
Maximum Duty Cycle <sup>5)</sup>	D <sub>MAX</sub>				100	%
EN Rising threshold voltage	V <sub>EN_H</sub>	V <sub>EN</sub> rising, FB=0.3V		1.2	1.35	V
EN Falling threshold voltage	V <sub>EN_L</sub>	V <sub>EN</sub> falling, FB=0.3V	0.9	1		V
POK High Threshold	V <sub>POKH</sub>	V <sub>FB</sub> rising	655	675	695	mV
POK Low Threshold	V <sub>POKL</sub>	V <sub>FB</sub> falling	500	525	550	mV
Soft-start Time <sup>5)</sup>	t <sub>ss</sub>	C <sub>ss</sub> =100nF		6		ms
		Without C <sub>ss</sub>		1		ms
Thermal Shutdown Threshold <sup>5)</sup>	T <sub>SHDN</sub>			150		°C
Thermal Shutdown Hysteresis <sup>5)</sup>	T <sub>HYST</sub>			20		°C

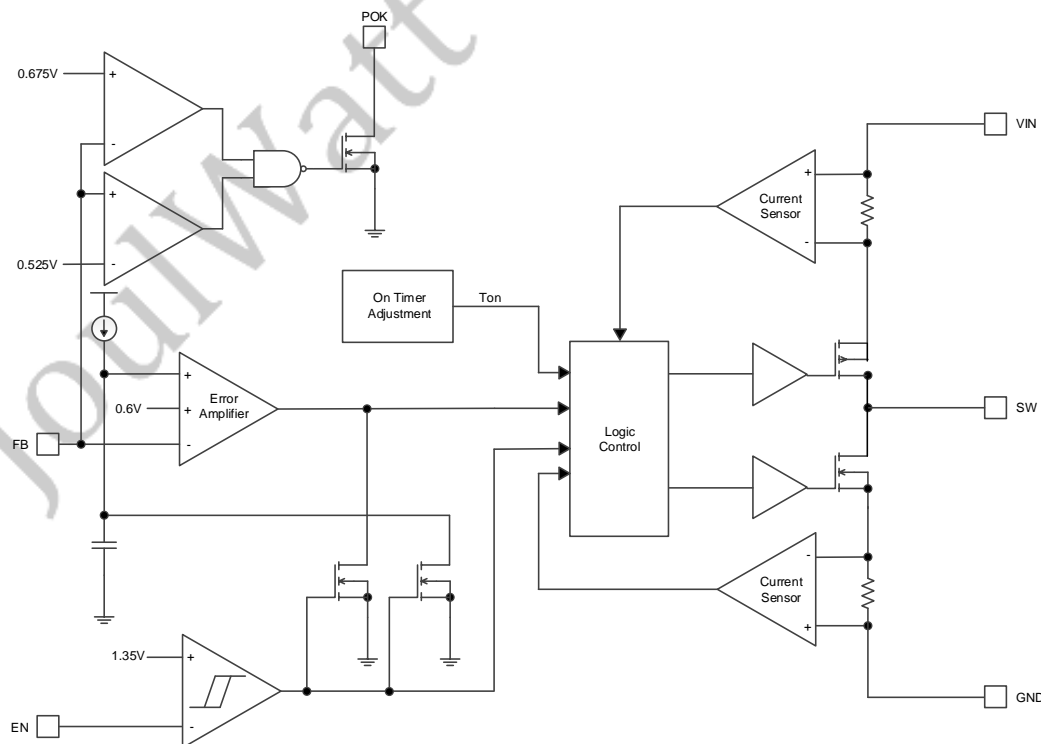
**Note:**

5) Guaranteed by design

**PIN DESCRIPTION**

Pin DFN3×3-10	Name	Description
1,2,3	SW	SW is the switching node that supplies power to the output, and the three pins must be connected together, Connect the output LC filter from SW to the output load.
4	PG	Open drain output. Connect a 10KΩ resistor from POK to input. POK is high when $V_{FB}$ is within 525mV to 675mV.
5	EN	Drive EN pin high to turn on the regulator and low to turn off the regulator.
6	FB	Output feedback pin. FB senses the output voltage and is regulated by the control loop to 0.6V. Connect a resistive divider at FB.
7	SS	Soft start programming pin. Connect a capacitor from this pin to ground to program the soft start time.
8	SVIN	Signal power input pin. Decouple this pin to GND pin with at least 1uF ceramic capacitor.
9,10	PVIN	Power input pin. VIN supplies power to the IC. Connect a 2.5V to 5.5V supply to VIN and bypass VIN to GND with a suitably large capacitor to eliminate noise on the input to the IC.
11	GND	Ground pin.

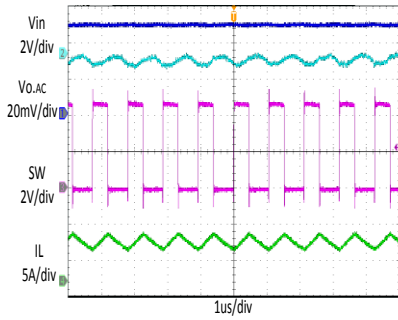
**BLOCK DIAGRAM**



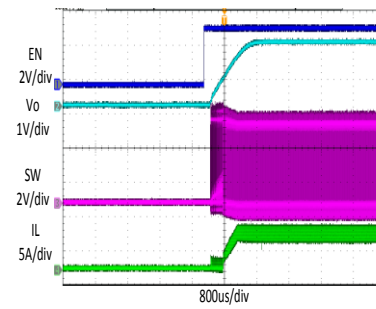
**TYPICAL PERFORMANCE CHARACTERISTICS**

**Vin = 5V, Vout = 1.8V, L = 0.47μH, Cout = 2\*22μF, TA = +25°C, unless otherwise noted**

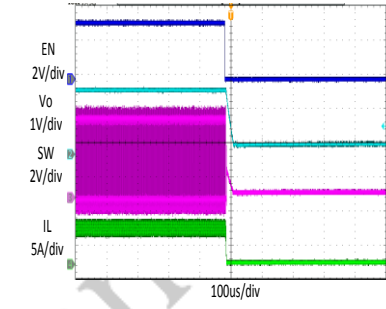
**Steady State Test**  
5A LOAD



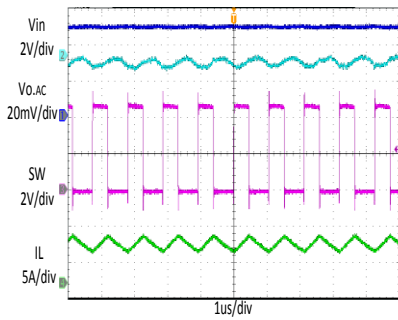
**Startup through Enable**  
5A LOAD



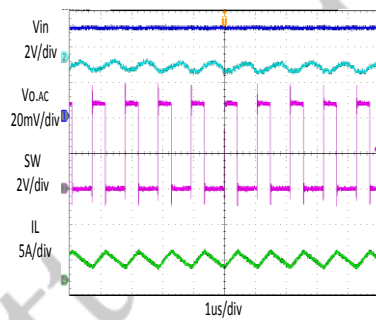
**Shutdown through Enable**  
5A LOAD



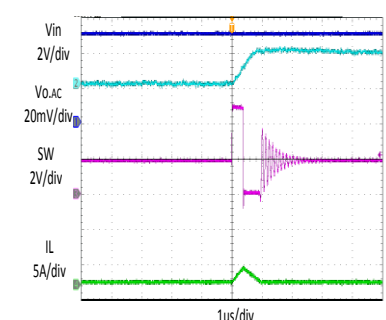
**Heavy Load Operation**  
5A LOAD



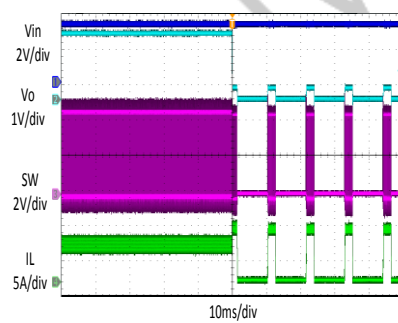
**Medium Load Operation**  
2.5A LOAD



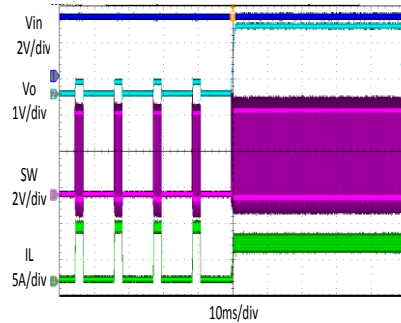
**Light Load Operation**  
0A LOAD



**Short Circuit Protection**  
Iout=5A → Short

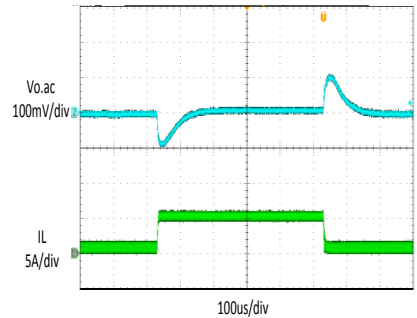


**Short Circuit Recovery**  
Iout= Short → 5A



**Load Transient**

Cff=150pF  
0.5A LOAD → 5A LOAD → 0.5A LOAD



### TYPICAL PERFORMANCE CHARACTERISTICS (continued)

Vin=5V, Vout=1.2V/1.8V/3.3V, L=0.47uH, Cout=2\*22uF, TA = +25°C, unless otherwise noted

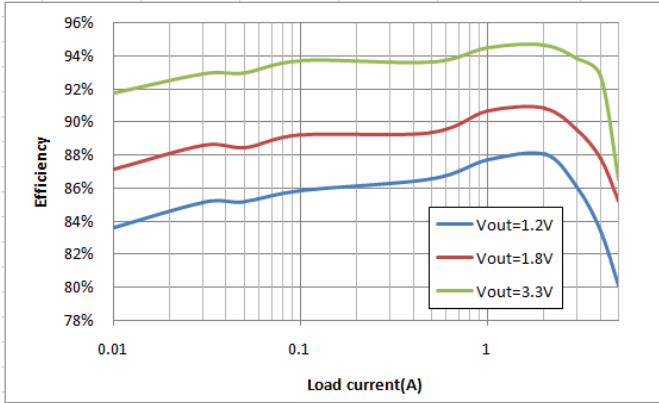


Figure 1. Efficiency vs Load Current

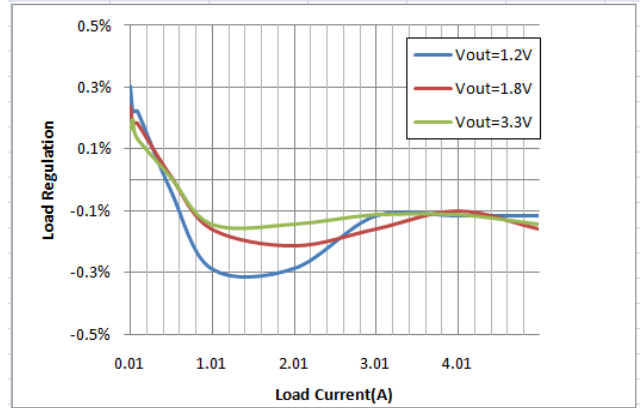


Figure 2. Output Voltage Regulation vs Load Current

JoulWatt Confidential

## FUNCTIONAL DESCRIPTION

The JW5255A is a constant on-time control, synchronous, step-down regulator. It regulates input voltages from 2.5V~5.5V down to an output voltage as low as 0.6V, and is capable of supplying up to 5A of load current.

### Constant On-time Control

The JW5255A utilizes constant on-time control to regulate the output voltage. The output voltage is measured at the FB pin through a resistive voltage divider and the error is amplified by the internal transconductance error amplifier.

Output of the internal error amplifier is compared with the switch current measured internally to control the output current limit.

### PFM Mode

The JW5255A operates in PFM mode at light load. In PFM mode, switch frequency is continuously controlled in proportion to the load current, i.e. switch frequency decreases when load current drops to boost power efficiency at light load by reducing switch-loss, while switch frequency increases when load current rises, minimizing output voltage ripples.

### Shut-Down Mode

The JW5255A operates in shut-down mode when voltage at EN pin is driven below 0.4V. In shut-down mode, the entire regulator is off and the supply current consumed by the JW5255A drops below 1 $\mu$ A.

### Power Switches

P-channel and N-channel MOSFET switches are integrated on the JW5255A to down convert the input voltage to the regulated output voltage.

### Short Circuit Protection

When output is shorted to ground, the switching frequency is reduced to prevent the inductor current from increasing beyond PFET current limit. If short circuit condition holds for more than 1024 cycles, both PFET and NFET are forced off and can be enabled again after 8mS. This procedure is repeated as long as short circuit condition is not removed.

### FB Short Circuit Protection

When FB is shorted to ground and holds for more 16 cycles, NFET will be turned off after inductor current drops to zero, and then both PFET and NFET are latched off. When short circuit condition is removed, it can be recovery.

### Thermal Protection

When the temperature of the JW5255A rises above 150°C, it is forced into thermal shut-down. Only when core temperature drops below 130°C can the regulator becomes active again.

## APPLICATION INFORMATION

### Output Voltage Set

The output voltage is determined by the resistor divider connected at the FB pin, and the voltage ratio is:

$$V_{FB} = V_{OUT} \cdot \frac{R_4}{R_4 + R_3}$$

where  $V_{FB}$  is the feedback voltage and  $V_{OUT}$  is the output voltage.

Choose  $R_4$  around 10k $\Omega$ , and then  $R_3$  can be calculated by:

$$R_3 = R_4 \left( \frac{V_{OUT}}{0.6V} - 1 \right)$$

Too large resistance and the following table lists the recommended values.

### Input Capacitor

The input capacitor is used to supply the AC input current to the step-down converter and maintaining the DC input voltage. The ripple current through the input capacitor can be calculated by:

$$I_{C1} = I_{LOAD} \cdot \sqrt{\frac{V_{OUT}}{V_{IN}} \cdot \left( 1 - \frac{V_{OUT}}{V_{IN}} \right)}$$

where  $I_{LOAD}$  is the load current,  $V_{OUT}$  is the output voltage,  $V_{IN}$  is the input voltage.

Thus the input capacitor can be calculated by the following equation when the input ripple voltage is determined.

$$C_1 = \frac{I_{LOAD}}{f_s \cdot \Delta V_{IN}} \cdot \frac{V_{OUT}}{V_{IN}} \cdot \left( 1 - \frac{V_{OUT}}{V_{IN}} \right)$$

where  $C_1$  is the input capacitance value,  $f_s$  is the switching frequency,  $\Delta V_{IN}$  is the input ripple

voltage.

The input capacitor can be electrolytic, tantalum or ceramic. To minimizing the potential noise, a small X5R or X7R ceramic capacitor, i.e. 0.1 $\mu$ F, should be placed as close to the IC as possible when using electrolytic capacitors.

A 2\*22 $\mu$ F ceramic capacitor is recommended in typical application.

### Output Capacitor

The output capacitor is required to maintain the DC output voltage, and the capacitance value determines the output ripple voltage. The output voltage ripple can be calculated by:

$$\Delta V_{OUT} = \frac{V_{OUT}}{f_s \cdot L} \cdot \left( 1 - \frac{V_{OUT}}{V_{IN}} \right) \cdot \left( R_{ESR} + \frac{1}{8 \cdot f_s \cdot C_2} \right)$$

where  $C_2$  is the output capacitance value and  $R_{ESR}$  is the equivalent series resistance value of the output capacitor.

The output capacitor can be low ESR electrolytic, tantalum or ceramic, which lower ESR capacitors get lower output ripple voltage.

The output capacitors also affect the system stability and transient response, and a 44 $\mu$ F~88 $\mu$ F ceramic capacitor is recommended in typical application.

### Inductor

The inductor is used to supply constant current to the output load, and the value determines the ripple current which affect the efficiency and the output voltage ripple. The ripple current is typically allowed to be 40% of the maximum switch current limit, thus the inductance value can be calculated by:

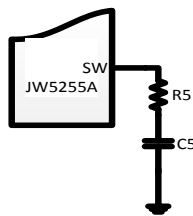


$$L = \frac{V_{OUT}}{f_s \cdot \Delta I_L} \cdot \left(1 - \frac{V_{OUT}}{V_{IN}}\right)$$

where  $V_{IN}$  is the input voltage,  $V_{OUT}$  is the output voltage,  $f_s$  is the switching frequency, and  $\Delta I_L$  is the peak-to-peak inductor ripple current.

**Snubber Circuit**

If the PCB layout is not ideal, in order to minimize the SW spike voltage, a resistor in series with a capacitor circuit is recommended between SW pin and GND pin. Choose  $R_5$  around  $4.7\Omega$  and  $C_5$  around  $2.2nF$ .



**PCB Layout Note**

For minimum noise problem and best operating performance, the PCB is preferred to following

the guidelines as reference.

1. Place the input decoupling capacitor as close to JW5255A ( $V_{IN}$  pin and PGND) as possible to eliminate noise at the input pin. The loop area formed by input capacitor and GND must be minimized.
2. Put a  $0.1\mu F$  input ceramic capacitor as close to the IC as possible to eliminate the interference from the input source.
3. Put the feedback trace as far away from the inductor and noisy power traces as possible.
4. The ground plane on the PCB should be as large as possible for better heat dissipation.

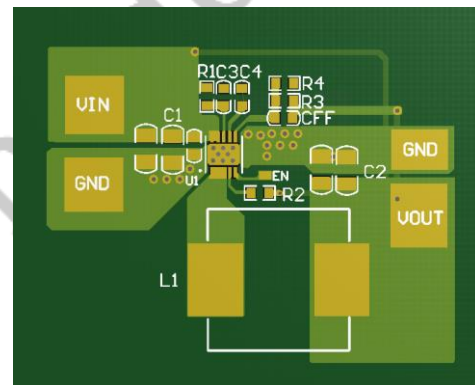
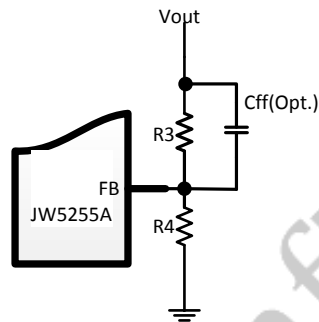


Figure1. PCB Layout Recommendation

**External Components Suggestions:**

Vout(V)	R4(kΩ)	R3(kΩ)	Inductor L(uH)	Cff(pF)	Cout(uF)
1	15	10	0.47~0.68	0~220	66~88
1.2	20	20	0.47~0.68	0~220	66~88
1.8	10	20	0.47~1	0~150	44~88
2.5	11	34.8	0.47~1	0~120	44~88
3.3	11	49.9	0.47~1	0~120	44~88



JoulWatt Confidential

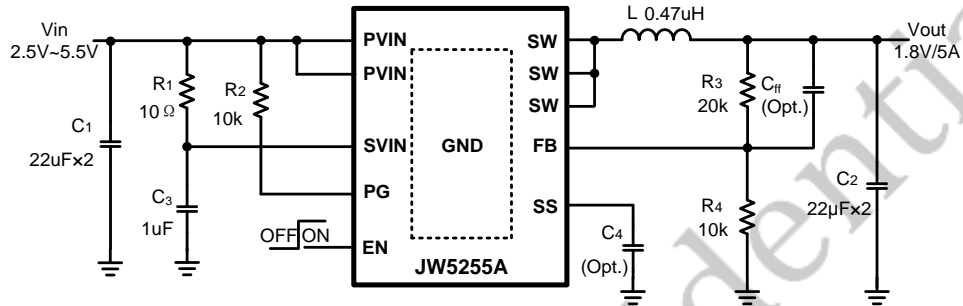
**REFERENCE DESIGN**

**Reference 1:**

$V_{IN}$  : 2.5V ~ 5.5 V

$V_{OUT}$ : 1.8V

$I_{OUT}$  : 0~5A

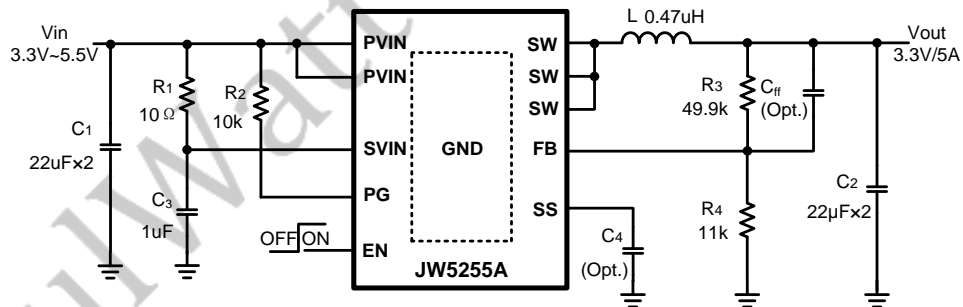


**Reference 2:**

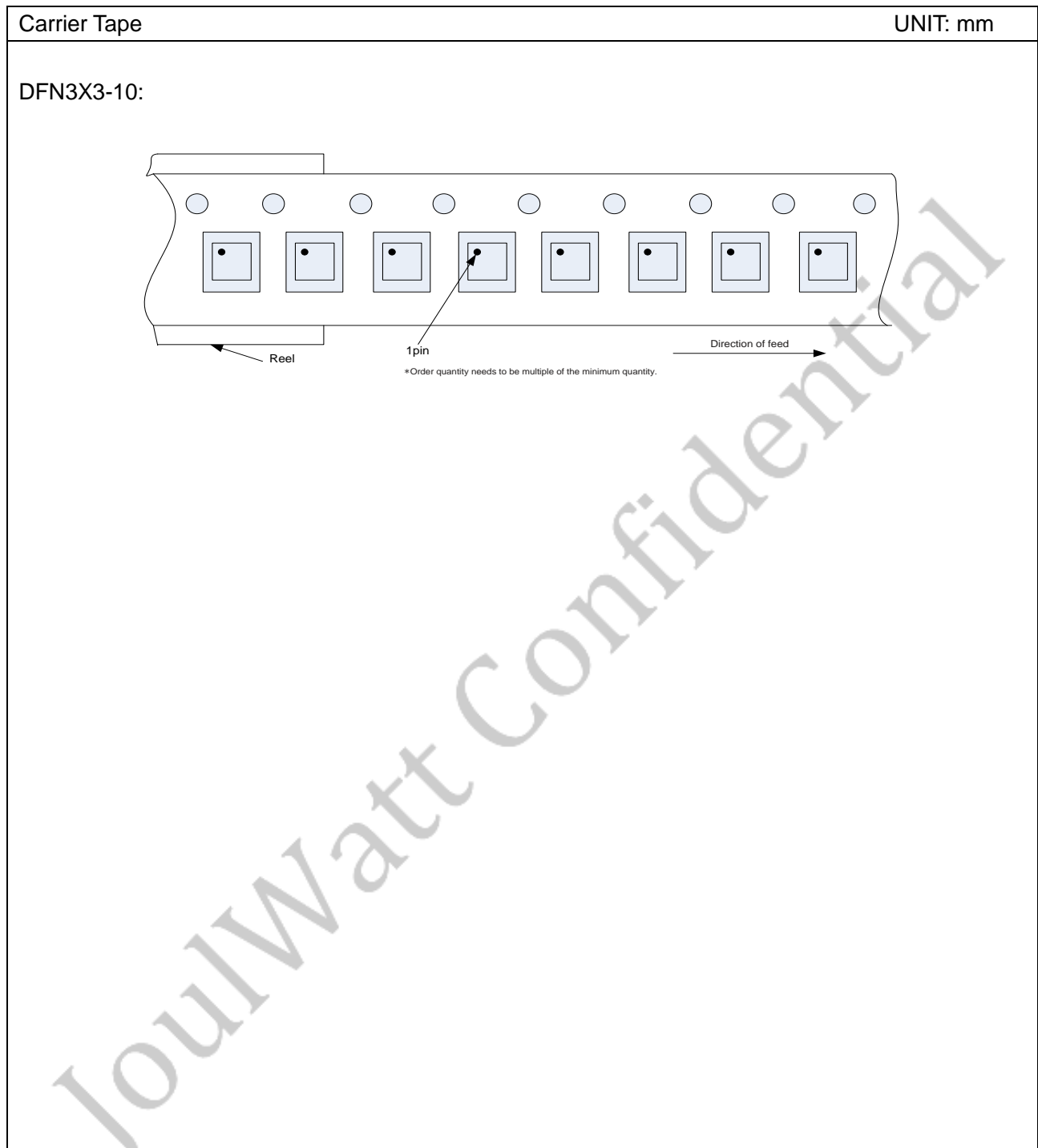
$V_{IN}$  : 3.3V ~ 5.5V

$V_{OUT}$ : 3.3V

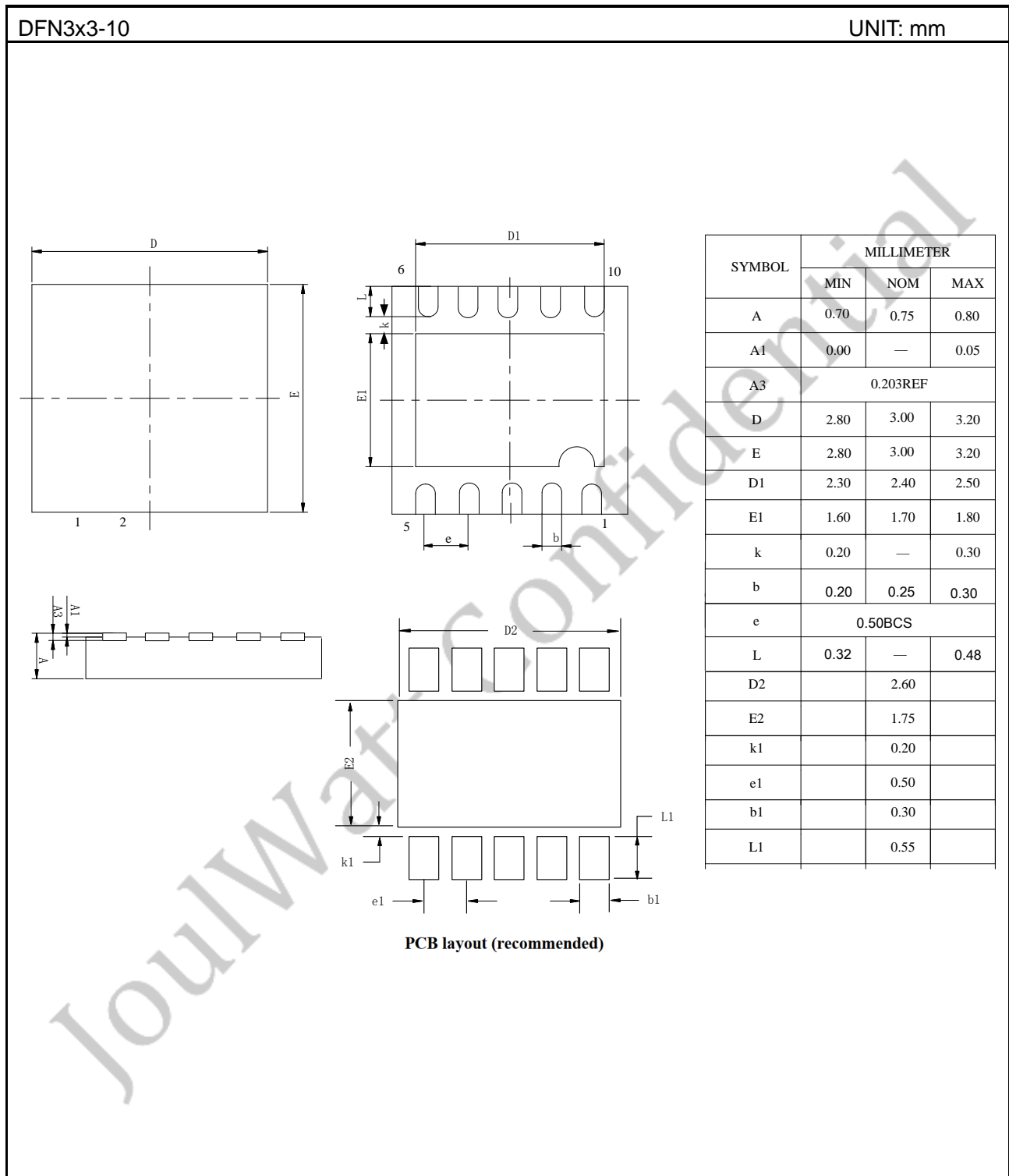
$I_{OUT}$  : 0~5A



TAPE AND REEL INFORMATION



PACKAGE OUTLINE



**IMPORTANT NOTICE**

- Joulwatt Technology Inc. reserves the right to make modifications, enhancements, improvements, corrections or other changes without further notice to this document and any product described herein.
- Any unauthorized redistribution or copy of this document for any purpose is strictly forbidden.
- Joulwatt Technology Inc. does not warrant or accept any liability whatsoever in respect of any products purchased through unauthorized sales channel.

JoulWatt Confidential

*Copyright © 2020 JW5255A Incorporated.*

*All rights are reserved by Joulwatt Technology Inc.*