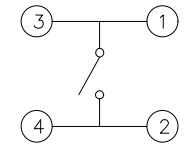
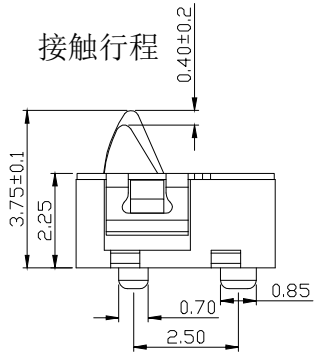
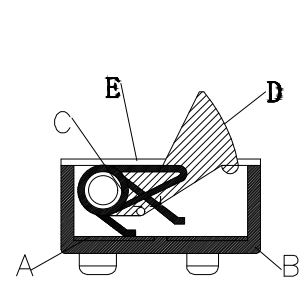
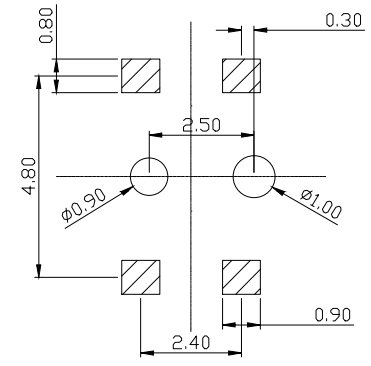
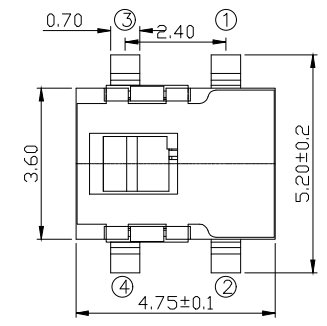
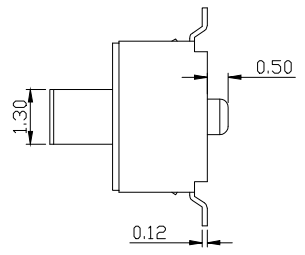


6	7	8
版本	变更内容	工程确认 日期



SCHEMATEC



PCB.WELDING DRAWING

- 技术要求:
1. 零部件表面光洁无划伤, 水花, 变形, 影响外观及性能等缺陷.
 2. 额定电流: 50mA .12V DC, 绝缘电阻: 100MΩ min ,100V DC, 介电强度: 250V ACfor 1min, 接触电阻: 1.0Ω max. 260° 高温后衰变值在初始值的20%内
 3. 开关无卡滞现象, 消除外力后, 应能快速回位.

5	Cover	Stainless steel	1	Wash/White
4	Button	PPA	1	BLACK
3	Spring	Phosphor copper	1	Silver/white
2	Base	LCP	1	BLACK
1	Card	Phosphor copper	1	Silver/white
NO.	PART NAME	MATERIAL	QTY	FINISHING

深圳市怡远科技有限公司 SHENZHEN YIYUAN TECHNOLOGY CO.,LTD		页码 (SHEET)	1/1	单位(UNIT): MM
		版本 (REV)	A1	比例(SCALE)
品名 (ITEM NO)	Detector Switch	日期 (DATE)	2021. 10. 12	
料号 (PART NO)	YTD-M02-AAP	设计 (DESIGN)	LUO	未注公差 TOLERANCE UNSPECIFIED
图号 (DWG NO)		审核 (CHECKED)	ROGER LI	× ±0.20 ×* ± 4*
These drawings and specifications are Shenzhen Yiyuan Technology Co Ltd.The property should not be copied. Without Shenzhen Yiyuan Technology Co. Ltd.Prior written consent to copy or use in any way. Email at info@yiyuanswitches.com		核准 (APPROVED)	ROC ZHAO	× ±0.10 ×* ± 2* ×× ±0.05 ××* ± 1*