

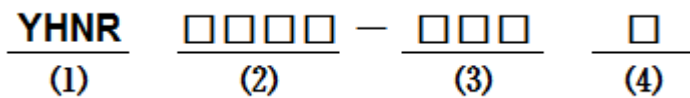
■ Features

- Low profile construction and miniature size.
- Magnetic shielded construction.
- High current saturation.
- Operating temperature:-40°C ~ +125°C.
- RoHS compliant

■ Applications

- For small DC/DC converter(HDD,DVC,DSC,PDA,LCD display etc.).
- Car navigation systems,telecom base stations.
- VR,AR,LED lighting.

■ Product Identification



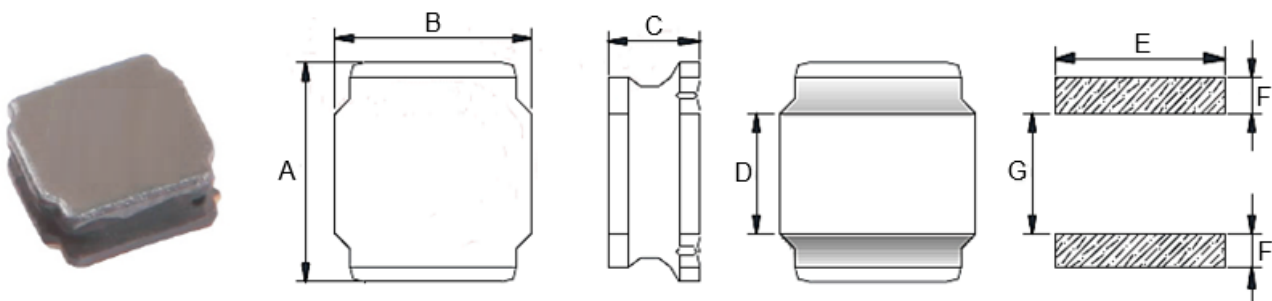
(1) : Type

(2) : Dimensions

(3) : Inductance value

(4) : Inductance Tolerance; N=±30%,M=±20%, K=±10%

■ Shapes and Dimensions (Unit: mm)



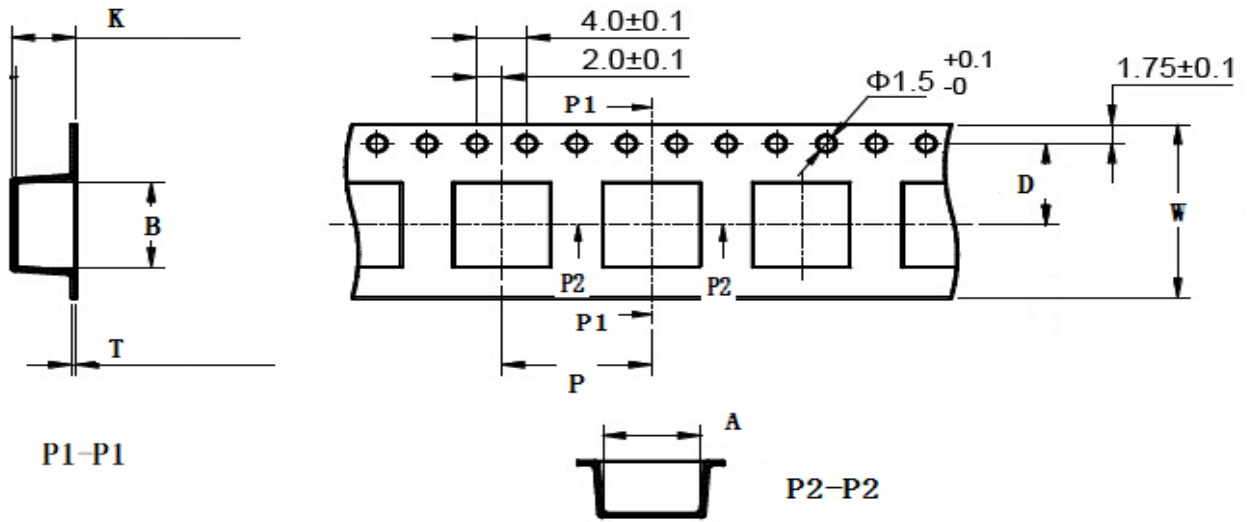
TYPE	A	B	C Max.	D	E Ref.	F Ref.	G Ref.
YHNR4012	4.0±0.2	4.0±0.2	1.20	1.90±0.3	3.70	1.30	1.60

■ YHNR4012 Series

Part Number	Inductance (uH) @100KHz	DC Resistance (Ω)		Heat Rating Current (A)	Saturation Current (A)
		Typ.	Max.		
YHNR4012-R47M	0.47±20%	0.033	0.041	3.80	7.20
YHNR4012-R56M	0.56±20%	0.040	0.050	3.20	6.00
YHNR4012-R68M	0.68±20%	0.042	0.055	3.25	5.20
YHNR4012-1R0M	1.0±20%	0.049	0.059	3.00	3.80
YHNR4012-1R5M	1.5±20%	0.060	0.075	2.80	3.80
YHNR4012-2R2M	2.2±20%	0.075	0.090	2.50	2.80
YHNR4012-3R3M	3.3±20%	0.106	0.130	2.00	2.80
YHNR4012-4R7M	4.7±20%	0.145	0.175	1.80	2.30
YHNR4012-6R8M	6.8±20%	0.190	0.230	1.50	1.60
YHNR4012-8R2M	8.2±20%	0.210	0.273	1.46	1.58
YHNR4012-100M	10±20%	0.300	0.360	0.85	1.55
YHNR4012-220M	22±20%	0.650	0.800	0.80	1.00

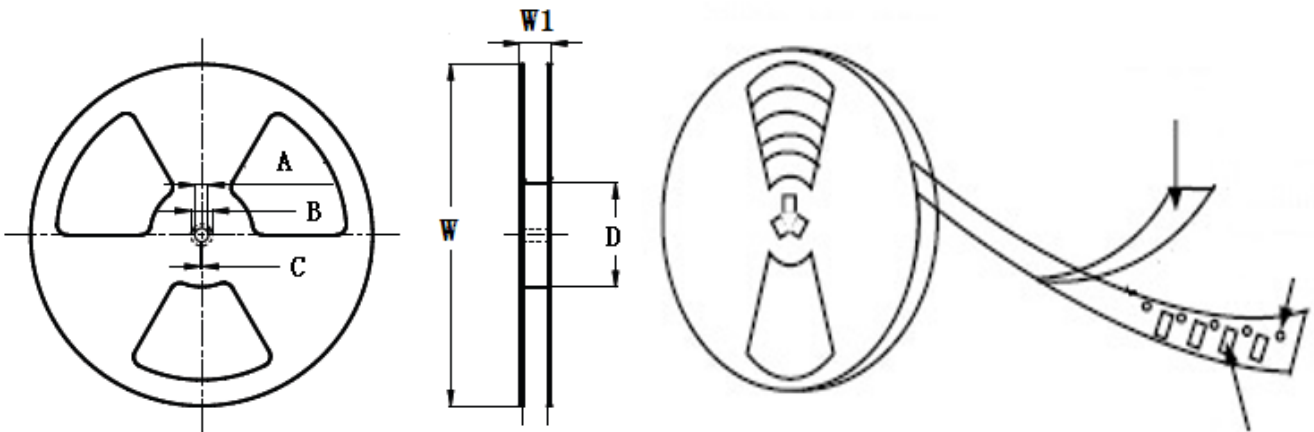
- ※ The saturation current value is the DC current value having inductance decrease down to 30%.(at 20°C)
- ※ The temperature rise current value is the DC current value having temperature increase up to 40°C. (at 20°C)
- ※ The rated current is the DC current value that satisfies both of current value saturation current value and temperature rise current value.

■ Taping Dimensions(Unit:mm)



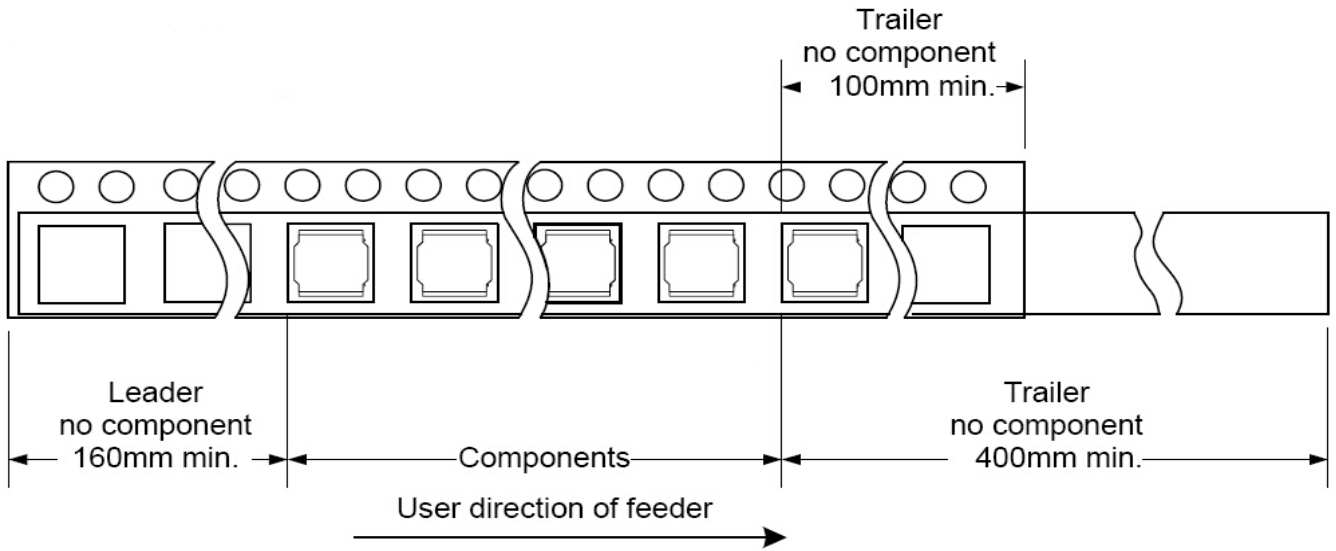
TYPE	Chip Thickness	W	A	B	D	P	K Max	T Max	MPQ
YHNR4012	1.20	12.0	4.30	4.30	5.50	8.00	1.60	0.30	4500

■ Reel Dimensions(Unit:mm)

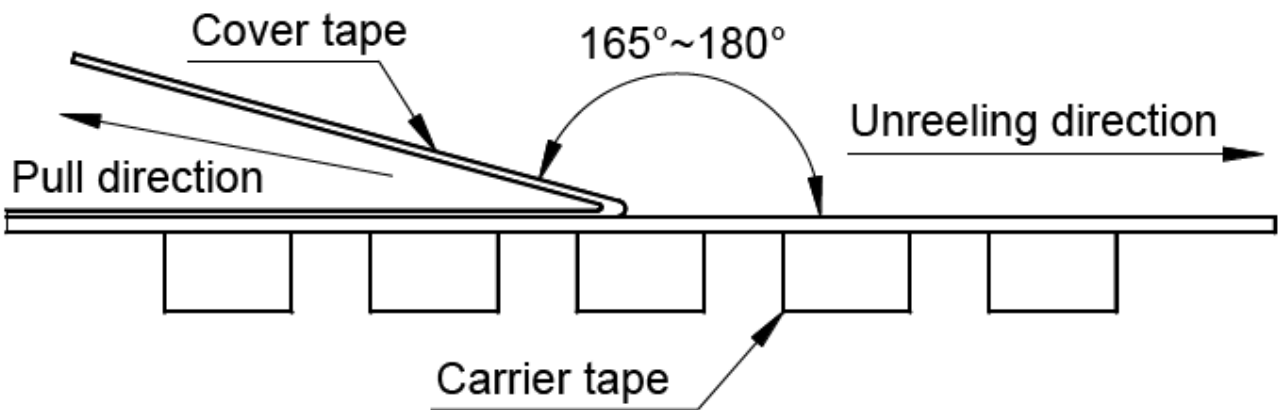


TYPE	W	W1	A	B	C	D
YHNR4012	330±2.0	12.8±1.50	13.0±0.50	21.0±0.80	2.0±0.50	100 Min

Direction of rolling



Cover tape peel off condition



Cover tape peel force shall be 0.1N to 1.3N.

Reference peel speed 300±10mm/min.