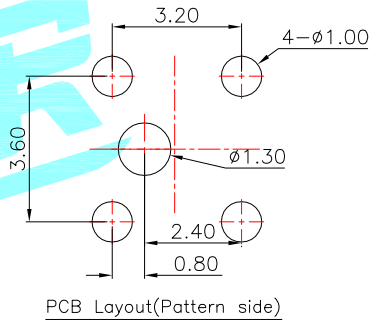
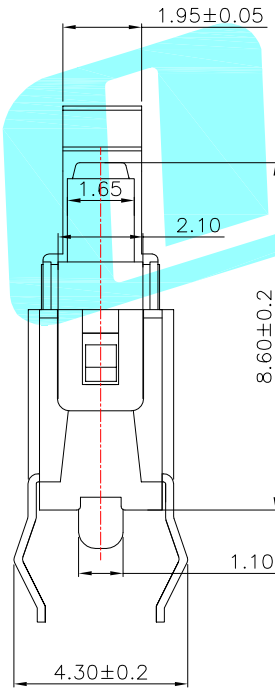
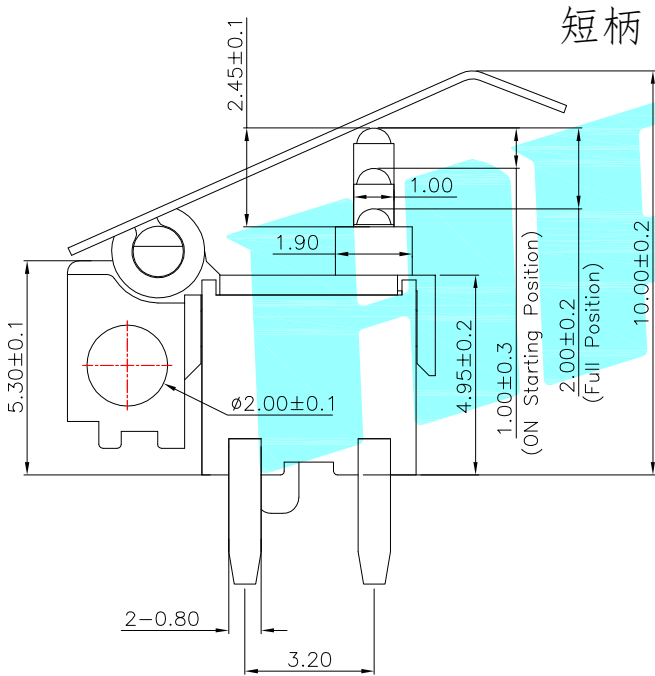


Circuit Diagram



PCB Layout(Pattern side)

NOTE:
 Rating: DC 12V 0.1A
 Operating Force: 50±30gf
 Lifetime: 50,000 Cycles

⑥	Contact Spring	—	1	Phosphor Bronze	Ag Plated	—
⑤	Lever	—	1	SUS	Natural	—
④	Terminal	—	4	Phosphor Bronze	Ag Plated	—
③	Base	—	1	Nylon	Black	—
②	Cover	—	1	Nylon	Black	—
①	Knob	—	1	Nylon	Black	—
ITEM	PART NAME	TER'NO.	QTY.	MATERIAL	FINISHING	REMARK

APPROVALS		DATE		 ELECTRONICS CO.,LTD			
DRAWN	LIUCAN	2022.3.2					
CHECKED				TITLE: DETECTOR SWITCHES			
APPROVALS				PART NO. K5-1626DA-03			
TOLERANCES ARE		30~以上	±0.30	ANGLE	UNIT: mm	SCALE: 1:1	
		10~30	±0.20				
		5~10	±0.15				
		~ 5	±0.10				
		±2°		DRAWING NO.	PROJ:		
ECN NO.	REV.	DATE.	DESCRIPTION.	CHANGE.	CHECK.	APPRO.	SHEET 1 OF 1

_____	A	_____	NEW	_____	_____	_____
ECN NO.	REV.	DATE.	DESCRIPTION.	CHANGE.	CHECK.	APPRO.