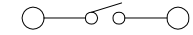
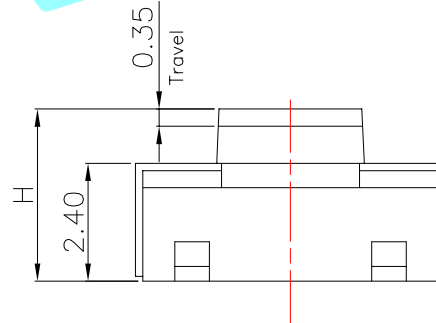
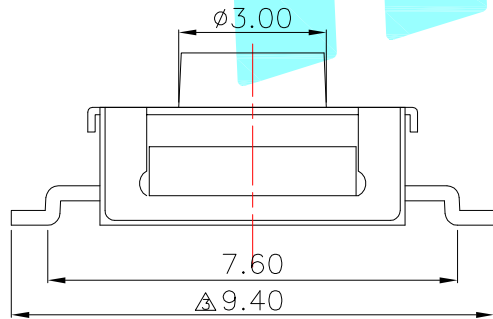


Typical Specifications :
 1. Rating : DC 12V 50mA
 2. Insulation resistance: $\geq 100M\Omega$
 3. Withstand voltage: AC 500V/1min
 4. Life:100,000 Cycles Min.



Circuit Diagram



NO.1	
PART NO	H
D	3.5
F	5

NO.2	
PART NO	vigor
3	180±30
4	250±30
5	350±50

NO.3-NO.4	
PART NO	NOTE
01~99	SERIAL NUMBER

⑤	Terminal	—	4	Phosphor Bronze	Plating silver	—
④	Contact	—	1	F.Ag/SUS	—	—
③	Base	—	1	PA46	Black	—
②	Cover	—	1	SPCC	Plating Sn	—
①	Keystoke	—	1	Silica gel	White	—
ITEM	PART NAME	TER'NO.	QTY.	MATERIAL	FINISHING	REMARK

APPROVALS		DATE	HRO 韩睿® ELECTRONICS CO.,LTD			
DRAWN	xu qi feng	2014.10.28	TITLE:	TACT SWITCHS		
CHECKED			PART NO.	K2-1156SP-□□SW-□□		
APPROVALS			UNIT: mm	SCALE: 1:1	PROJ:	④
TOLERANCES ARE	30~以上: ±0.30 10~30: ±0.20 5~10: ±0.15 ~ 5: ±0.10	ANGLE	±2'	DRAWING NO.		SHEET 1 OF 1

△ 修改按柄材质为蓝色硅胶20180407

▲ 修改型号为单弹20160927

NEW

ECN NO.	REV.	DATE.	DESCRIPTION.	CHANGE.	CHECK.	APPRO.
	B					
	A					