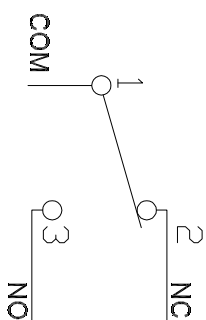
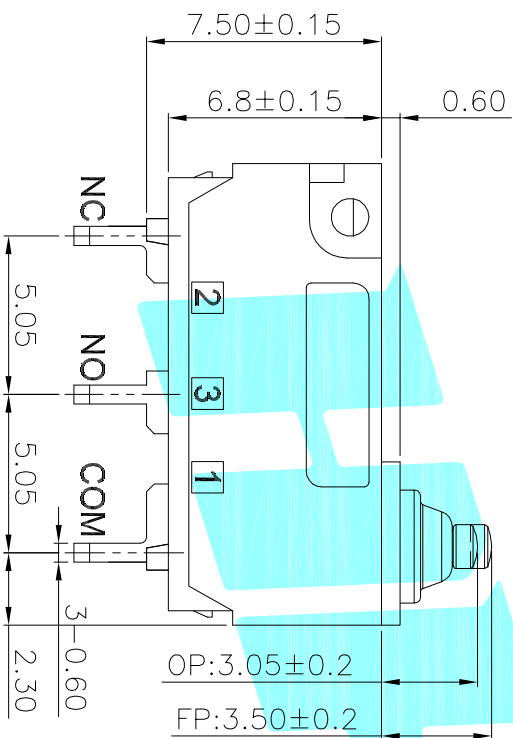
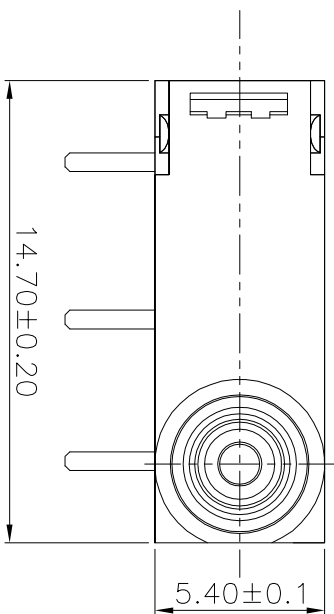
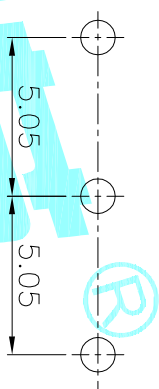
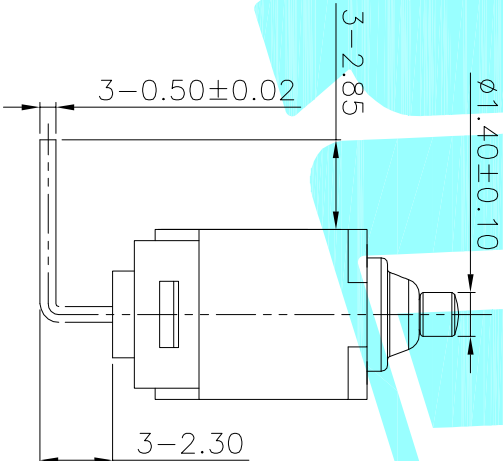


INGRESS PROTECTION:IP67



Circuit Diagram



P.C.B layout

- NOTE:
1. Rating:DC12V 3A
Rating:2:48V DC/125V AC/250V AC 0.1A
 2. Operating force:130gf MAX
 3. Electric Life:10,000
 4. Mechanical Life:1,000,000

⑦	Shrapnel	1	Brass	Plating silver		
⑥	Contact	1	Ag			
⑤	Sealed Circle	1	Silicone Rubber			
④	Terminal	3	Brass(0.50t)	Plating silver		
③	Plunger	1	POM	Black		
②	Cose	1	PA	Black		
①	Cover	1	PA	Black		
ITEM	PART NAME	TER'NO.	QTY.	MATERIAL	FINISHING	REMARK
APPROVALS		DATE				
DRAWN		J.X.Zhang	2018/8/1			
CHECKED						
APPROVALS		TITLE:	MICRO SWITCHS			
		PART NO.	K9-1801G			
		ELECTRONICS CO.,LTD				

ECN NO.	REV.	DATE.	DESCRIPTION.	CHANGE.	CHECK.	APPRO.
	A		NEW			
TOLERANCES ARE						
			30~R/L	±0.30	ANGLE	
			10~30	±0.20	UNIT: mm	SCALE: 1:1
			5~10	±0.15	DRAWING NO.	PROD.
			~ 5	±0.10		SHEET 1 OF 1