

规格书

Specification

品名
Model name

YHE12-05ST

PROPRIETARY
Huayu Electronic co.,Ltd.

CONFIDENTIAL
Huayu Electronic co.,Ltd.

| | |
|----------------|--|
| Version # | Spec V1.0 |
| 制作日期 Date | 2018/4/01 |
| 准备 Prepared | Yi Shen Acoustic specialist,R&D Dept. |
| 承认 Approved | Qian Wanjin Executive Manager,R&D Dept. |



兴化市华宇电子有限公司

地址：江苏省兴化市陈堡工业区人民路 1 号
电话：13625199874 传真：0523-83723118
邮箱：391245375@qq.com 网址：www.js-huayu.com

*Components Operating Div.
Huayu Electronic co.,Ltd.*

1.适用范围：本规范适用于 YHE12-05ST 5V 蜂鸣器。

This specifications apply the YHE12-05ST 5V buzzer.

2.基本规格/General specification

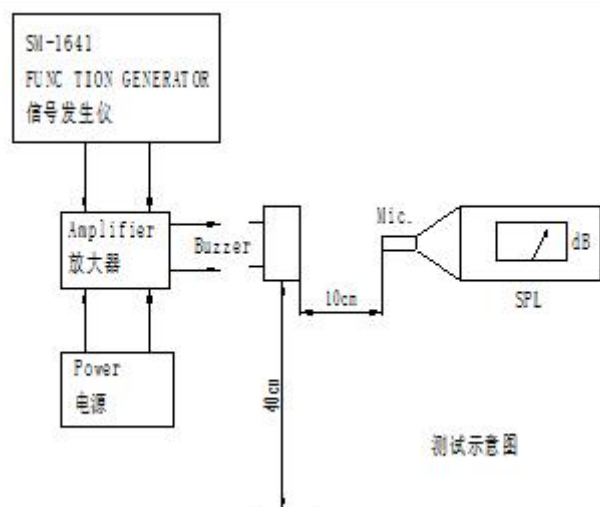
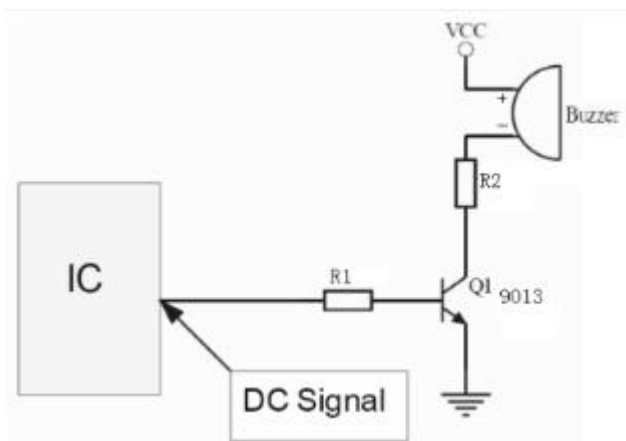
| 项目/Item | | 规格/Spec | 条件/Condition |
|---------|------------------------------|------------|--|
| 1 | 额定电压 Rated voltage | 5V | |
| 2 | 工作电压 Operation voltage | 4~8V | |
| 3 | 声压 Sound Pressure Level=SPL | Min 85dB | 测试环境：标准状态，标准驱动电路，额定电压 测试距离：0.1m Standard State,Standard Drive Circuit. Rated voltage,Distance at 0.1m |
| 4 | 电流 current | Max30mA | |
| 5 | 振荡频率 Oscillation frequency | 2400±400Hz | |
| 6 | 工作温度范围 Operating Temperature | -20~+70℃ | |
| 7 | 保存温度范围 Storage temperature | -30~+80℃ | |
| 8 | 外部尺寸 Externals size (mm) | φ 12*H9.5 | 参阅附图 Refer to the attached drawing |
| 9 | 重量 Mass | 1.8g | |
| 10 | 材质 Housing Material | | |

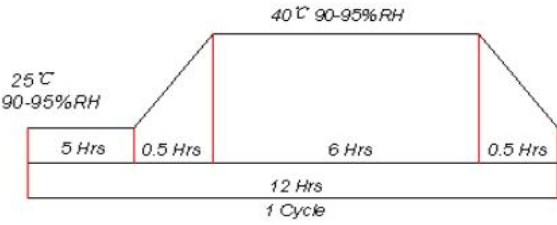
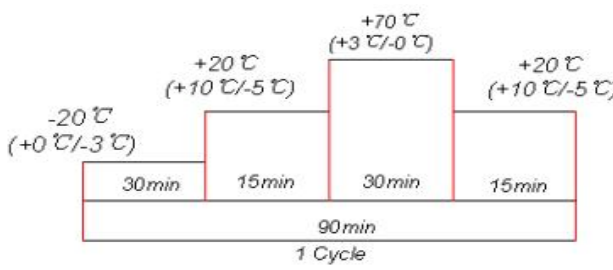
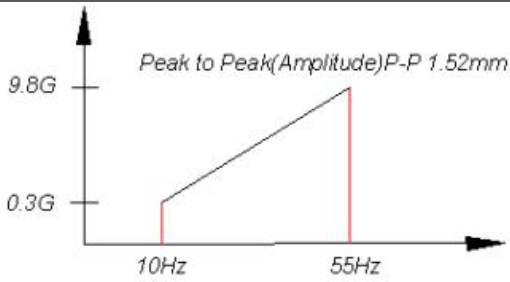
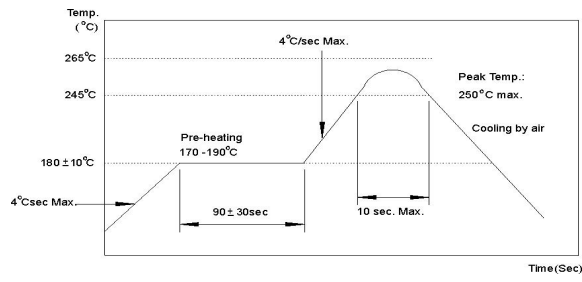
3. 电气和声学测试条件/Electrical And Acoustical Measuring Condition

驱动电路/Recommended Driving Circuit

Resonant frequency, 1/2 duty cycle. Square wave.
Signal amplitude should be large enough to saturate the transistor.

设置 Recommended Setting

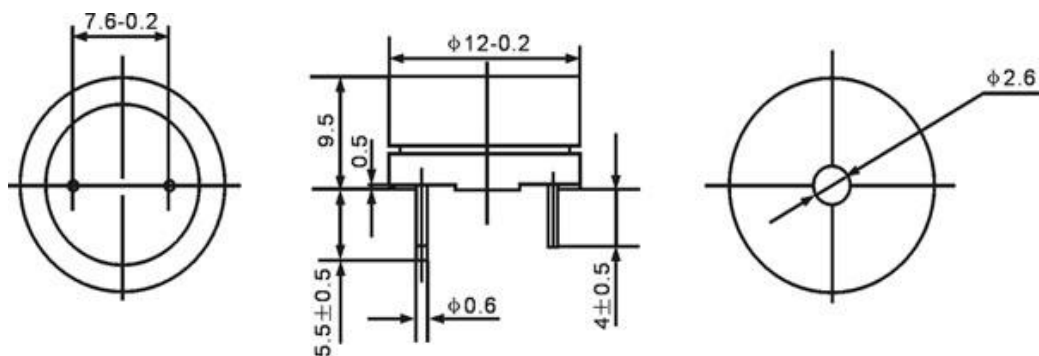


| | 项目 ITEM | 测试方法 TEST |
|---|---|--|
| 1 | 高温试验 High Temperature Test | 在+80℃±2℃储存温度下存放 96 小时，恢复 2 小时后测试 After being placed in a chamber with +80±2℃ for 96 hours and then being placed in normal condition for 2 hours |
| 2 | 低温试验 Low Temperature Test | 在-20℃±2℃储存温度下存放 96 小时，恢复 2 小时后测试 After being placed in a chamber with -20±2℃ for 96 hours and then being placed in normal condition for 2 hours |
| 3 | 恒定湿热试验 Humidity Test |  |
| 4 | 温度变化试验 Temperature Cycle Test |  |
| 5 | 振动试验 Vibration Test |  |
| 6 | 跌落试验 Drop Test | 70cm 高自由掉落到 40mm 的木板上，每个方向三次 Drop on a hard wood board of 40mm thick, any directions, three times, at the height of 70cm |
| 7 | 插针的抗拉强度试验 Terminal Strength Pulling Test | 插针承受 1.0kg 拉力，负荷时间 5s The force 5 seconds of 1.0kg is applied to each terminal. |
| 8 | 可焊性试验 Solder ability Test | 焊锡温度 250±5℃，浸润时间为 3±0.5s，试验后目测产品情况 Lead terminals are immersed in rosin for 5 seconds and then immersed in solder bath of 250±5℃ for 3±0.5 seconds. |
| 9 | 回流焊测试 Soldering Test |  |

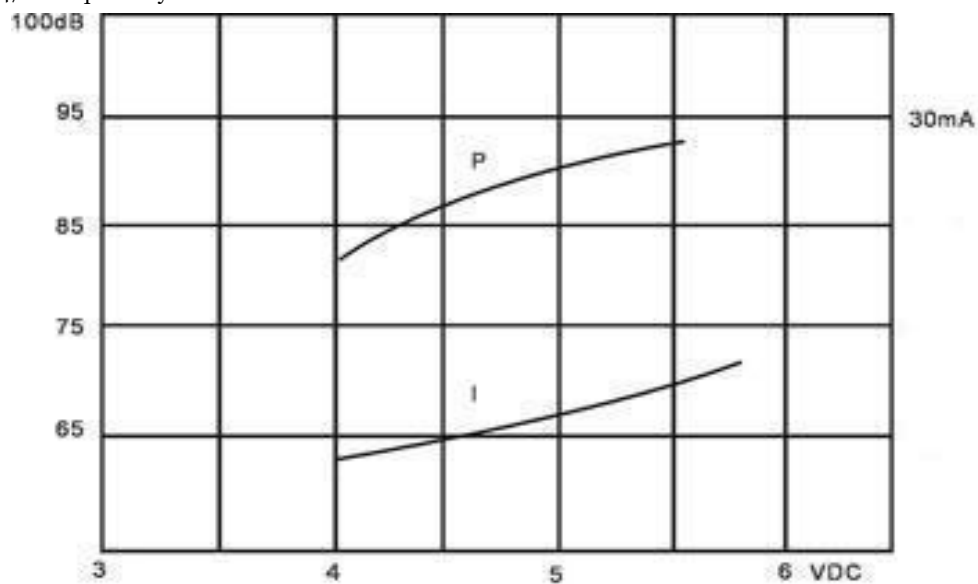
5. 尺寸图/Dimension

(UNT: mm)

Tolerance: $\pm 0.5\text{mm}$ Except Specified

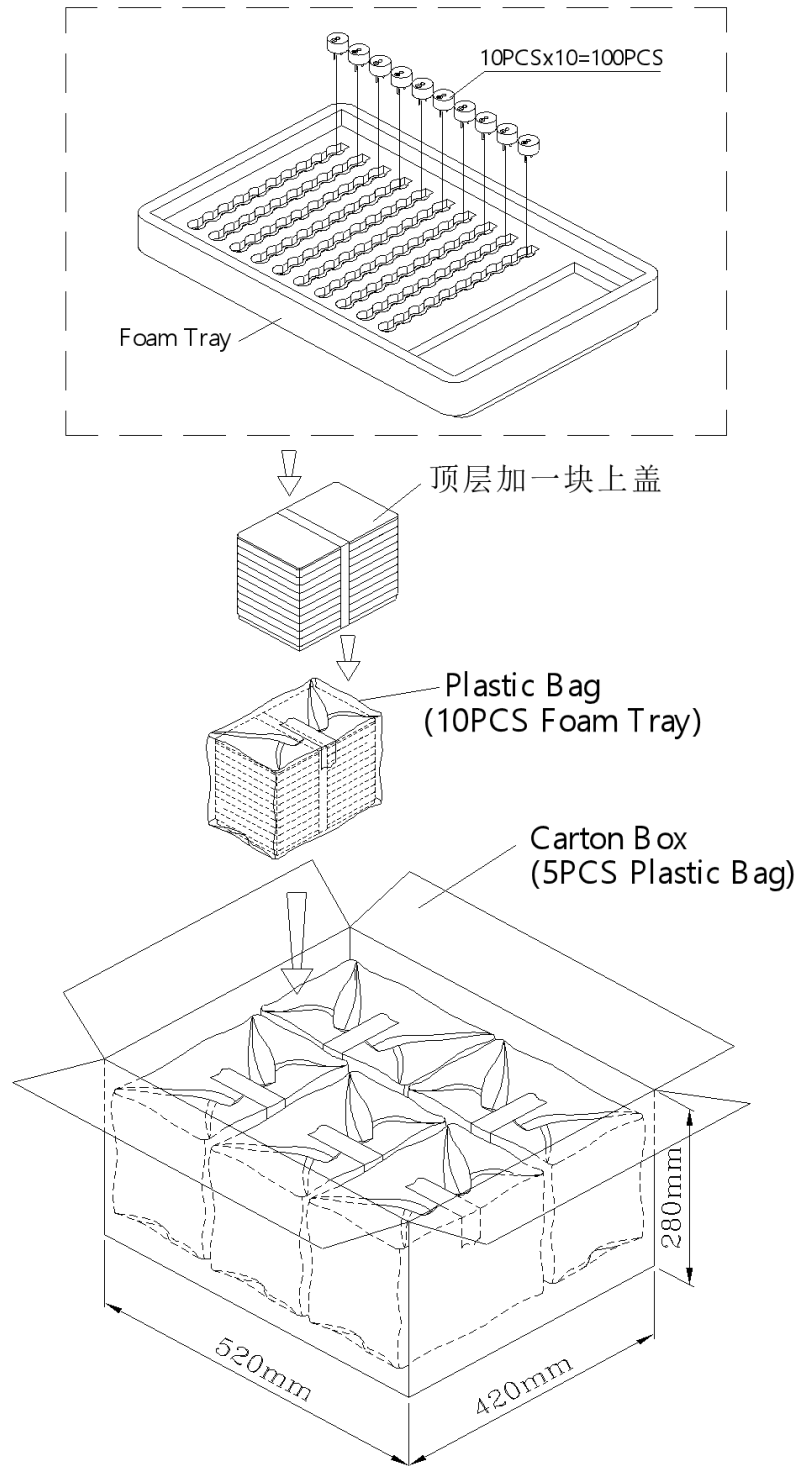


6. 频率图/Frequency Curve



5Vo-p 50% duty Square wave, 10cm

7. Packing Method/包装图



| | | |
|-------------|-------------------|--------------------|
| Foam Tray | 240mmx160mmx30mm | 1x100PCS=100PCS |
| Plastic Bag | | 10x100PCS=1000PCS |
| Carton Box | 520mmx420mmx280mm | 5x1000PCS=5,000PCS |



兴化市华宇电子有限公司

Components Operating Div.
Huayu Electronic co.,Ltd.