

REVISION DATA

REV	DESCRIPTION	DATE
AO	NEW DRAWING	2014/10/16

Technical Data

Material:

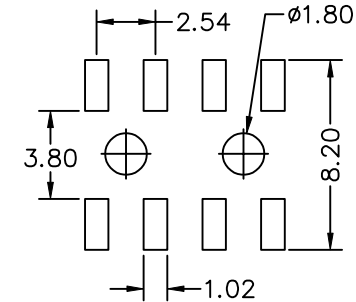
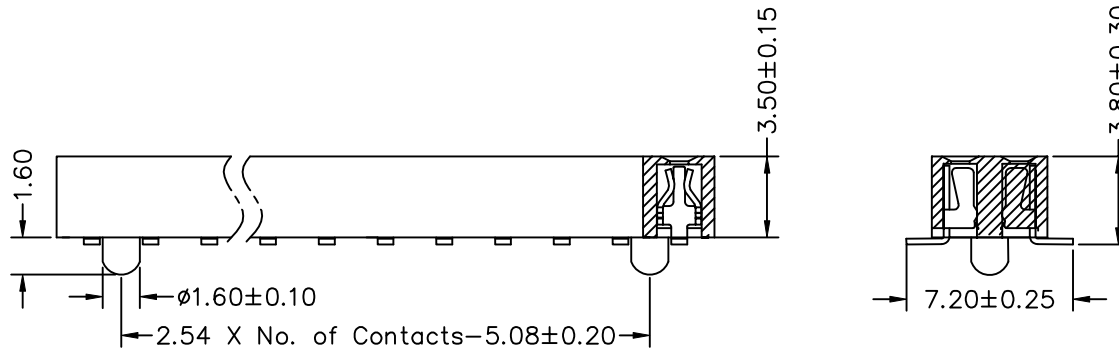
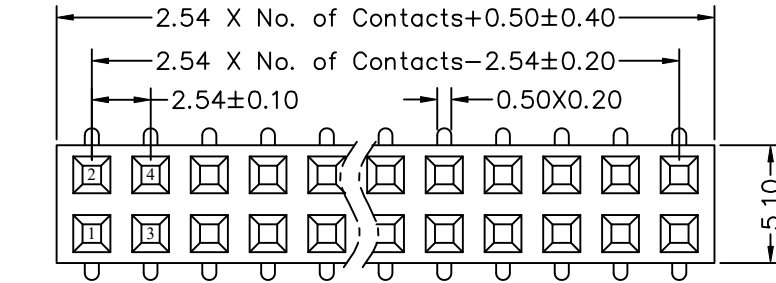
Contact Material: Brass
 Contact plating: Au Over 50μ" Ni
 Insulator Material: Black Polyester UL94V-0
 Standard: PA6T+30%G.F

Electrical:

Current rating: 3.0Amps/contact max.
 Contact resistance: ≤20mΩ/contact
 Insulation resistance: ≥1000MΩ at V=100V
 Withstanding Voltage: 550V AC/minute

Mechanical:

Mechanical life cycle: min.200
 Operating temperatures: Gold Plated: -55°C to +105°C
 Tin plated: -40°C to +105°C
 Soldering temperature: +260°C max(PA6T)



P.C.B LAYOUT

Ordering Information

C 3 5 - X X XX - X X 1 X

High Option	No. of row/tiers	No. of Positions	Insulator Material	Terminal plating	Packing
1 H=2.0-2.1mm	1 Single row	XX Positions	Option	0 Tin plating over all	0 Pe Box
2 H=3.4-3.5mm	Single tier		1 PBT	1 Gold plating over all	1 Tube
3 H=4.0-4.3mm	4 Double row		4 PA6T		2 Reel
4 H=4.6-5.0mm	Single tier		5 PA9T		
5 H=5.7mm			6 LCP		
6 H=6.35-6.8mm					
7 H=7.0-7.1mm					
8 H=8.5mm					

东莞市优为科精密电子科技有限公司
 U-Wilcome Precision Electronic Technology Co., Ltd

UNLESS OTHERWISE SPECIFIED TOLERANCES ARE X.X ±0.30 X.XX ±0.20 X.XXX ±0.10 ANG. ±° 5	APPROVED BY	DATE	TITLE	
	CHECKED BY	DATE	2.54mm Female Header Dual Row SMT Type H3.5 OE7.2	
UNIT	SIZE	DRAWN BY	DATE	DOCUMENT NO
mm	A4	LIUWEI	2014/10/16	
PART NO		REV	SHEET	SCALE
C35-24** -41125		AO	1/1	1:1

2	CONTACT	2-80PCS	C5191 0.50*0.20	Ni: 20-80u"; Au: ≥0.5u"
1	HOUSING	1PCS	PA6T,UL 94V-0	COLOR: Black
NO.	PARTS NAME	QTY	MATERIAL	FINISH