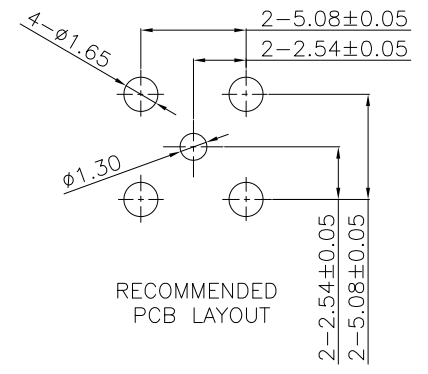
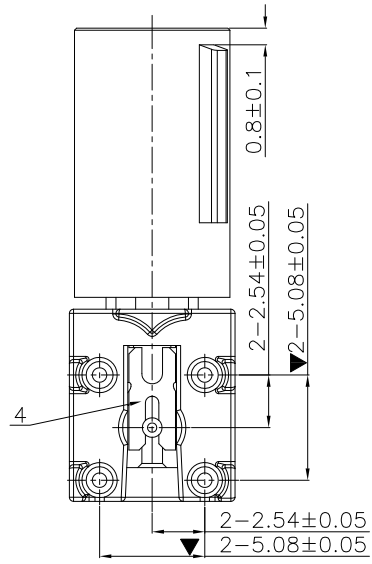
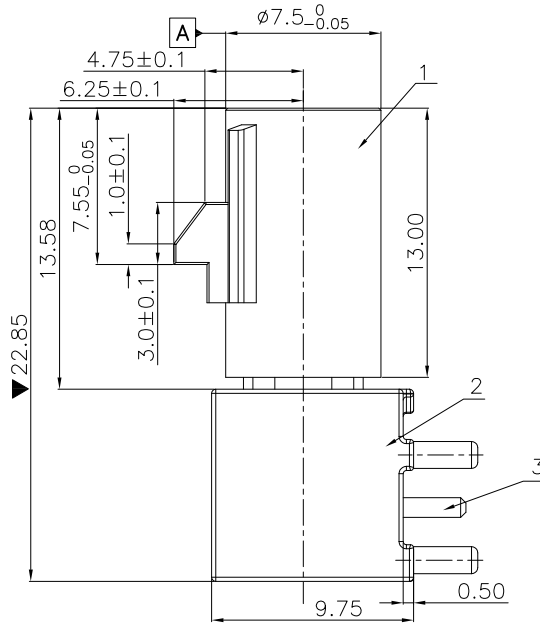
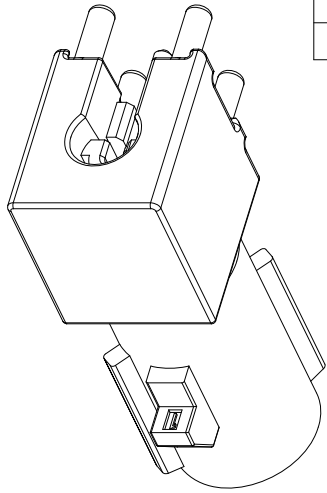
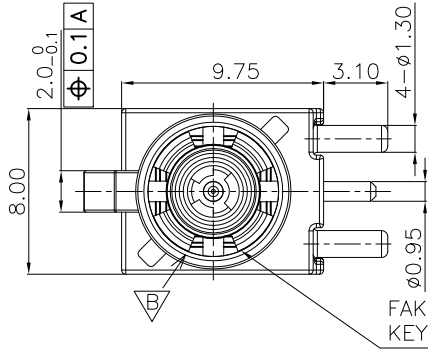


| REV. | ECN NUMBER | DESCRIPTION | DATE | DRAWN | CHECKED | APPROVED |
|------|------------|---------------|----------|---------|---------|----------|
| A | ECN171188 | First Release | 06/20'17 | Jinshan | Bill | Bill |
| B | ECN18**** | 铆压结构变更 | 09/20'18 | Jinshan | Bill | Bill |

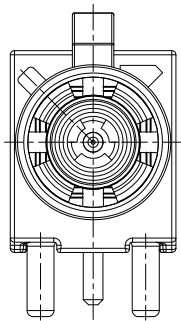
NOTES:

- ELECTRICAL PERFORMANCE:
 - IMPEDANCE:50Ω Max;
 - CONTACT RESISTANCE:(CENTER PIN)40mΩ Max, (OUTER CONTACT)40mΩ Max;
 - FREQUENCY:DC TO 6GHZ;
 - RETURN LOSS:≤18db,DC TO 1GHz;
 - INSERTION LOSS:≤0.1X √ f(GHz) dB
 - INSULATION RESISTANCE≥100MΩ
 - TEST VOLTAGE:800V AC rms;
 - WORKING VOLTAGE:≤60V DC;
 - CURRENT:≤1A DC.
- MECHANICAL PERFORMANCE:
 - DURABILITY:≥25 TIMES.
 - ENGAGE FORCE:≤25N
 - DISENGAGE FORCE:WITH LOCK≥110N,WITHOUT LOCK≤75N;
 - CENTER PIN RETENTION FORCE:≥10N
- TEMPERATURE RANGE:-40C°- +105C°
- HAZARDOUS SUBSTANCES SHALL BE IN ACCORDANCE WITH ECT ENVIRONMENTAL PROTECTION MATERIAL CONTROL STANDARDS.

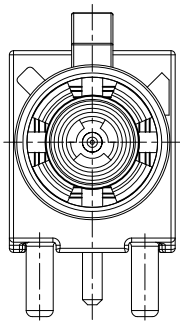


| 4 | INSULATOR | 1 | HTN+30%GF | |
|------|---------------|------|--------------|------------------------------|
| 3 | CENTER PIN | 1 | COPPER ALLOY | Au plated over Nickel |
| 2 | OUTER CONTACT | 1 | ZINC ALLOY | Matte tin plated over Nickel |
| 1 | HOUSING | 1 | PA66+30%GF | |
| ITEM | PART NAME | Q'TY | MATERIAL | FINISH |

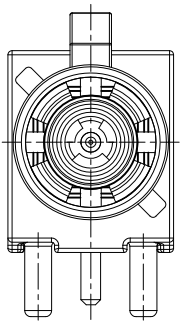
| | | | | | | | | |
|--|-------------------|----------|------------|----------------|----------------|--------------------------------------|--------------------------|------------|
| | GENERAL TOLERANCE | | SCALE: 1:1 | DRAWN: Jinshan | DATE: 09/20'18 | DWG.NO: 600-10205-01 | TITLE: FAKRA卧式加长型肋缩短款客户图 | REV. B |
| | XX.± 0.50 | XX.°± 3° | UNIT: mm | CHECK: | DATE: | PARTS NO.(INTENDED USE): SEE SHEET 2 | | SHEET: 1/2 |
| | X.± 0.25 | X.°± 2° | SIZE: A4 | APPROVE: | DATE: | | | |
| | .X± 0.20 | .X°± 1° | | | | | | |
| | .XX± 0.15 | | | | | | | |



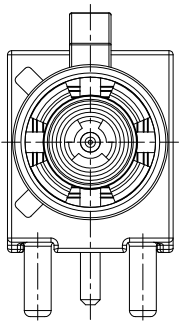
A



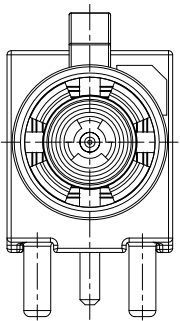
B



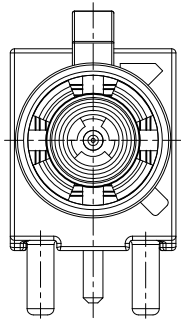
C



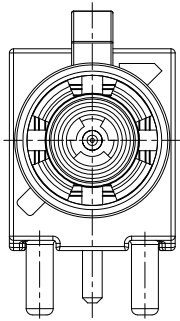
D



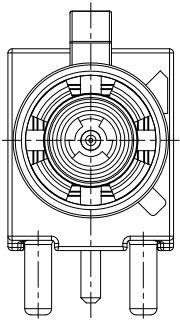
E



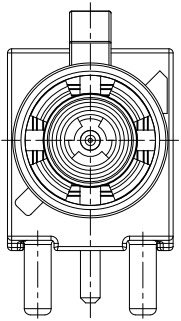
F



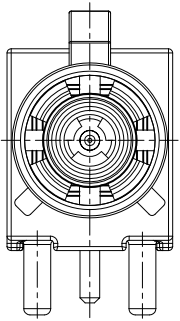
G



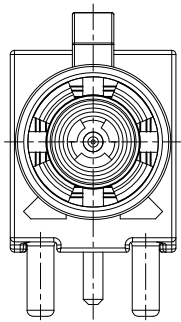
H



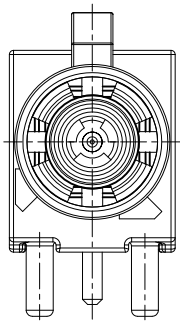
I



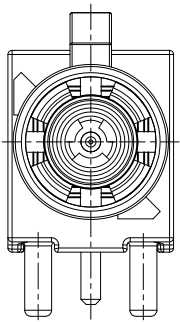
K



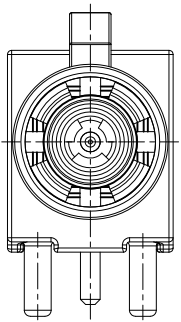
L



M



N



Z

| | | |
|-------------|-------------------------|-----------|
| Z | water blue(水蓝色5021) | 818010216 |
| N | pastel green(崧蓝绿色6019) | 818010215 |
| M | pastel orange(粉橙色2003) | 818010214 |
| L | carmine red(胭脂红3002) | 818010213 |
| K | curry(咖喱色1027) | 818010212 |
| I | beige(米黄色1001) | 818010211 |
| H | heather violet(紫罗兰4003) | 818010210 |
| G | blue gray(灰色7031) | 818010209 |
| F | nut brown(棕色8011) | 818010208 |
| E | Leaf green(绿色6002) | 818010207 |
| D | claret violet(枣红色4004) | 818010206 |
| C | signal blue(蓝色5005) | 818010205 |
| B | cream white(白色9001) | 818010204 |
| A | deep black(黑色9005) | 818010203 |
| KEYING CODE | COLOR | PART NO. |



ELECTRIC
CONNECTOR
TECHNOLOGY

GENERAL TOLERANCE

| | |
|-----------|----------|
| XX.± 0.50 | XX.°± 3° |
| X.± 0.25 | X.°± 2° |
| .X± 0.20 | .X°± 1° |
| .XX± 0.15 | |

SCALE:

1:1

UNIT:

mm

SIZE:

A4

DRAWN:

Jinshan

CHECK:

APPROVE:

DATE:

09/20'18

DATE:

DATE:

DWG.NO:

600-10205-01

PARTS NO.(INTENDED USE):

SEE TABLE

TITLE:

FAKRA卧式加长型肋缩短款
客户图

REV.

B

SHEET:

2/2