

P/N:ECT818002390

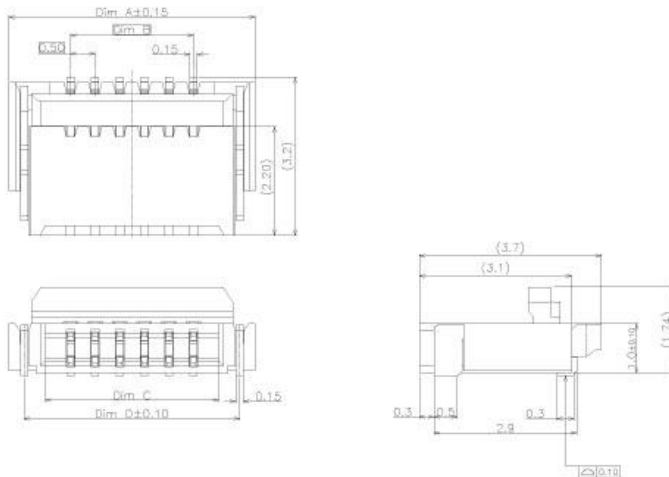
0.5mm Pitch SERIES
FPC CONNECTOR(Back Flip)



技术参数
Technology Parameters

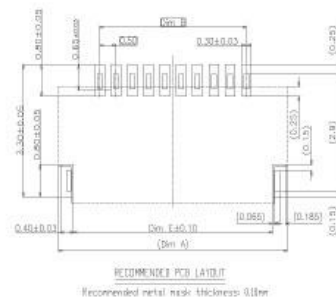
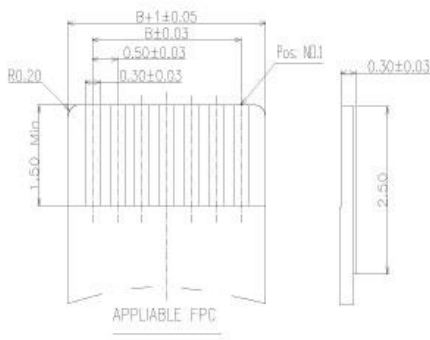
- Current Carrying Capacity 额定电流: DC0.5A
- Operating Voltage 额定电压: AC50 V
- Contact Resistance 接触阻抗: 100m Ω Max
- Insulation Resistance 绝缘阻抗: 1000M Ω Min.
- Withstand Voltage 耐电压: 250V AC/1 Min
- Operating Temperature 工作温度: -55 ~ +85℃
- Storage temperature range 保存温度: -10° C ~ +50° C

Appearance Dimensions 外形尺寸:



Fpc Size Recommend FPC尺寸推荐:

Pcb Layout 印制板焊盘:



Recommended Model 推荐型号:

P/N	CKT	Dim A	Dim B	Dim C	Dim D	Dim E
818003188	4	4.00	1.50	2.53	3.38	3.10
818002390	6	5.00	2.50	3.53	4.38	4.10
818003189	8	6.00	3.50	4.53	5.38	5.10
818002391	10	7.00	4.50	5.53	6.38	6.10