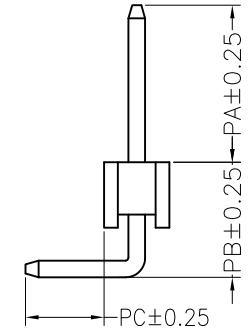
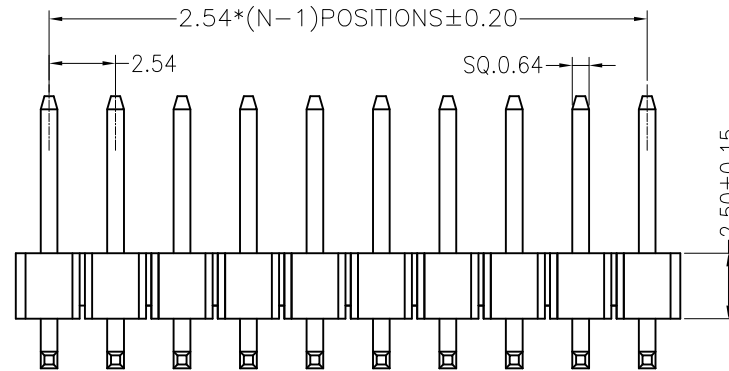
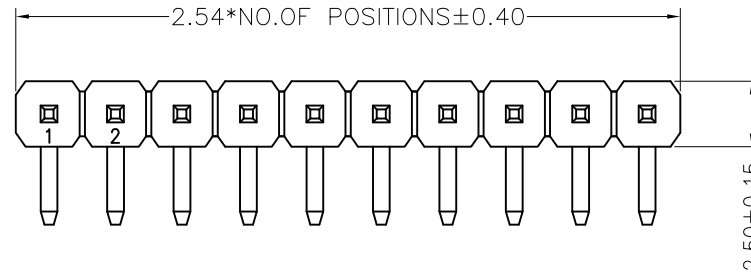
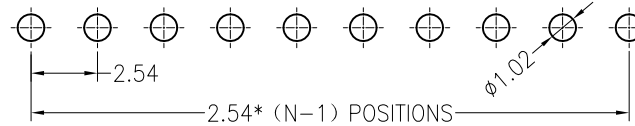


NOTES:

Voltage Rating:250V AC/DC  
 Current Rating:3.0A AC/DC  
 Dielectric Withstand Voltage:500V AC/minute  
 Contact Voltage:20M Max.  
 Insulation Voltage:1000M Min  
 Operation temperature:-40 °C to +105 °C  
 Insulator Material:Polyester .UL94V-0  
 Contact Material:Brass  
 Contact Plating:AuorSn Plated on Nickel Overall

Recommended P.C.B Layout  
 P.C.B Board Tolerance±0.05



塑胶高度可选 (mm)				常用
H	1.0	1.5	2.0	2.54

Dimension antitheses list				
item	PA	PB	PC	L
Standard	6.00	4.40	3.00	13.80
Alternate	---	---	---	---

				TOLERANCE UNLESS OTHERWISE		DRAWN	CK tan	<b>XFCN兴飞连接器有限公司</b> CONNECTORS XFCN CONNECTORS CO., LTD.		SHEET	1/1	
				X.	$\pm 0.30$	X°	$\pm 5^\circ$			CHKD	DATE	2010. 4. 12
				.X	$\pm 0.20$	.X°	$\pm 2^\circ$	APPD	PRODUCT NAME	2.54mm Pin Header Connectors		
				.XX	$\pm 0.08$	.XX°	$\pm 1^\circ$	VIEW	PART. NO.	PZ254R-11-XX	SCALE	1:1
AO	MODIFICATION		DRAW	DATE	.XXX	$\pm 0.03$	.XXX°				$\pm 0.5^\circ$	DWG NO.