

■ Features

- Line filters suppressing conductive noise ranging from low to high frequency generated at power supply circuit of various electronic equipment.
- High levels of safety and reliability.
- Extremely cost effective design.
- Useful for application requiring inductance to vary with current load changes.
- Self electromagnetic shielding. Easy PC board mounting onversion application.

■ Applications

- TV and Audio equipment.
- Switching power supplies.
- Motherboard.
- Buzzers and Alarm systems.
- Other noise filters.

■ Product Identification

$$\frac{\text{YDNPS}}{(1)} \quad \frac{184060}{(2)} \quad - \quad \frac{571}{(3)} \quad \frac{\text{L}}{(4)}$$

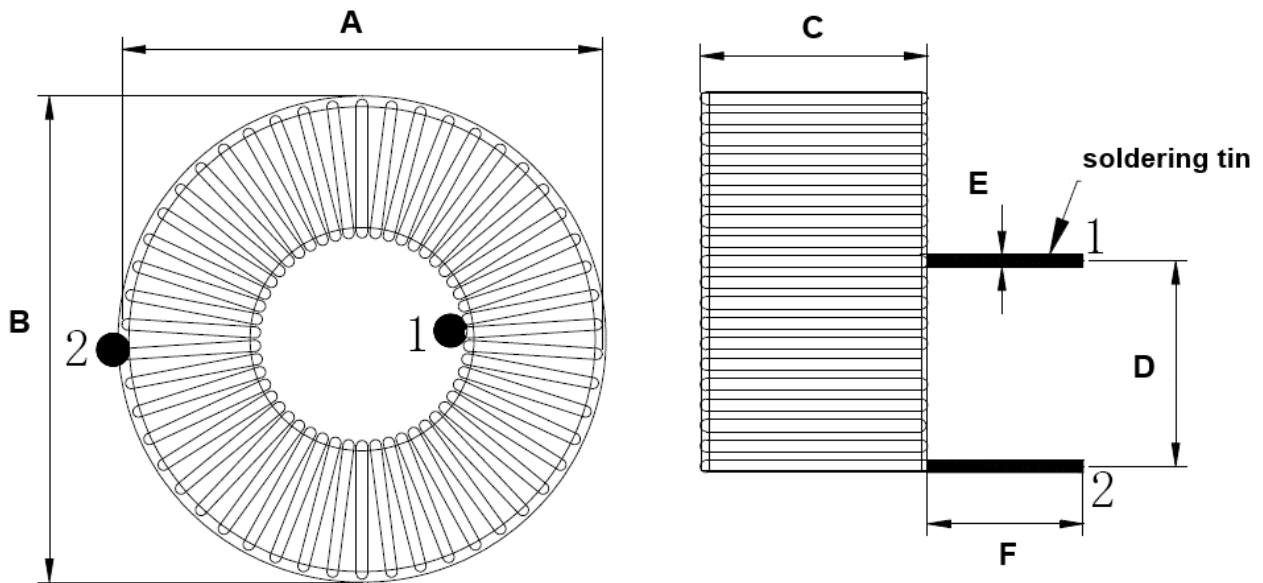
(1) : Type

(2) : Dimensions

(3) : Inductance value: 571=570uH

(4) : Style: L- vertical W-horizontal

■ Configuration and Dimensions (Unit: mm)

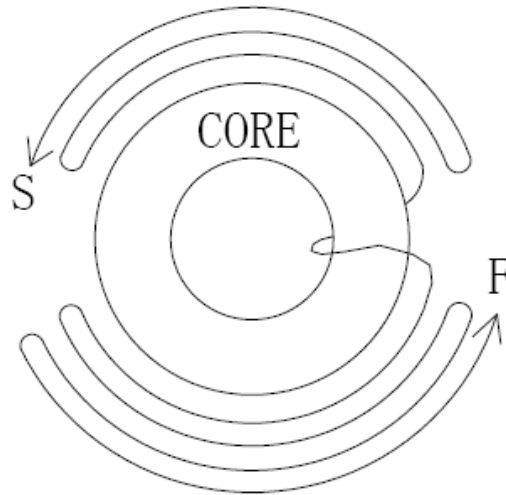


A Max.	B Max.	C Max.	D	E	F
58.0	58.0	32.0	34.0±3.0	2.1±0.2	12.0±1.0

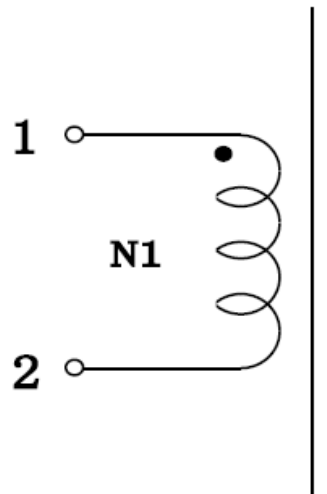
■ Description of key processes and requirements

- 1, Using NPS184060 magnetic core to form a horizontal shape.
- 2, The enameled wires should be arranged neatly, symmetrically and evenly distributed, without knots or damage to the paint.
- 3, Starting from the bottom point of the bottom plane of the inlet and outlet lines 1 and 2, tin plating is 12mm ± 1.0.
- 4, PIN distance based on PCB.
- 5, The product needs to be dipped in paint.
- 6, The product meets RoHS requirements.
- 7, The inlet and outlet lines do not need to be fixed with glue.

Winding Construction



Schematic



Winding Order

Setp	Winding	Material	Start-Finish	Turns	Remark
1	N1	QZY-2 2.1Φ×1P	1 - 2	65TS	

■ Electrical Requirements

No.	Measuring Parameter	Measuring PIN	Measuring Value	Measuring Standard	Equipment
1	Inductance	L(1-2)	570uH±10%	1KHz,1.0V,25°C	TH2818XC OR EQUIALENT
2	DCR	R(1-2)	33mΩ Max.	25°C	TH2516B OR EQUIALENT
3	Dielectric strength	Coil – coil	AC 1.0KV	50Hz 1mA,3sec	TH9201B
4	Insulation impedance	Coil – coil	100MΩ Min.	DC500V	TH9201B
5	Ambient Temperature	-40°C ~ +120°C			
6	Insulation level	Class F			

■ Material List

No.	Item	Type	Manufacture	Spec		Material	UL No.	RoHS
				℃	UL94			
1	Core	NPS184060	Sendust	N/A	N/A	Shenzhen Poco Magnetic co.,Ltd		Y
2	Wire	2.1mm	QZY-X/180	180℃	N/A	Dongguan Yida Endustrial co.,Ltd	E344055	Y
			QZY-2/180			Guangdong Jingda Special Enameled Wire co.,Ltd	E223994	
						Zhejiang Hongbo Technology co.,Ltd	E221719	
						Ningbo Jintian New Material co.,Ltd	E227047	
3	Varnish /		T-4260(a)	130℃	N/A	Suzhou Taihu Electric Advanced Material co.,Ltd	E228349	Y