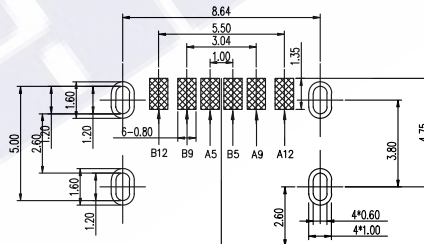
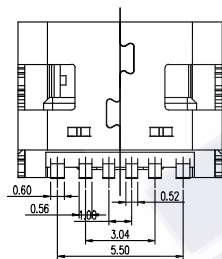
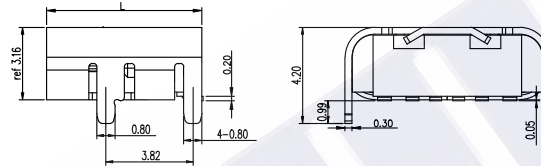
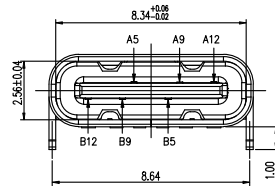
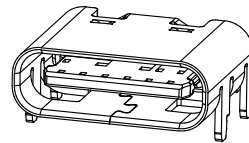
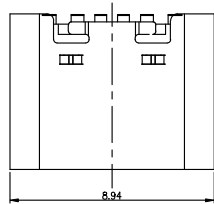


REV	LTR	DESCRIPTION	DATE	APPROVED
A0		依新料号编码原则发行图面	20160406	



RECOMMENDED P.C.B. LAYOUT
TOLERANCE UNSPECIFIED ±0.05mm

NOTE:

- MATERIAL SPECIFICATION:
 - HOUSING: HIGH TEMPERATURE RESISTANT PLASTIC, UL94 V-0.
 - CONTACTS: COPPER ALLOY
 - MID PLATE: STAINLESS STEEL
 - FRONT SHELL: STAINLESS STEEL
- PLATING SPECIFICATION:
 - CONTACTS:
 - NI 50u" MIN. UNDER PLATED OVER ALL.
 - Au PLATED ON THE FUNCTIONAL AREA OF CONTACT.
 - (GOLD PLATING THICKNESS FOLLOW THE P/N)
 - PLATING SPECIFICATIONS OF THE SOLDER AREA FOLLOW THE P/N
 - FRONT SHELL: SEE TABLE1.
 - SHIELD PLATE&EMI PLATE: CLEAR ONLY
- MECHANICAL PERFORMANCE,
 - INSERTION FORCE: 0.5~2.0kgf.
 - REMOVAL FORCE: 0.8kgf~2.0kgf.
 - DURABILITY: 5000 CYCLES.
- ELECTRICAL PERFORMANCE,
 - CURRENT RATING: 3.0A
VOLTAGE RATING: 5.0V
 - LLCR:
 - VBUS & GND PINS AND OTHER PINS: 40mΩ/PIN MAX.
 - SHIELD: 50mΩ/MAX.
 - LLCR MAX. CHANGE OF ALL PINS: 10mΩ.
 - INSULATION RESISTANCE: 100MΩ MIN
 - DIELECTRIC WITHSTAND VOLTAGE, AC 100V FOR 1 MINUTE.
- ENVIRONMENTAL PERFORMANCE:
 - OPERATING TEMPERATURE: -25°C~+85°C.
- IR REFLOW:
 - THE PEAK TEMPERATURE ON THE BOARD SHALL BE MAINTAINED FOR 10 SECONDS AT 260°C.

PIN ASSIGNMENTS

A5	CC1	B12	GND
A9	VBUS	B9	VBUS
A12	GND	B5	CC2
PIN	SIGNAL NAME	PIN	SIGNAL NAME

L	L	=6.8
L	L	=6.5

TOLERANCE		NAME(INTENDED USE) CUSTOMER DRAWING	三佐部品【中国】股份有限公司		
X.X ±0.30	X." ±10"	PART NO.	TITLE: TYPE-C 6PIN 板上型 插板 SMT		
.XX ±0.20	.X" ±8"	MTKEP06WD-0A-WLNG1N	DRAWG NO.		
.XXX ±0.10	.XX" ±5"	DESIGN: DRAW	MTKEP06WD-0A-WLNG1N		
MATERILA	CHEd:	APPD:	SCALE	SHEET	REV.
FINISH			SCALE	SHEET	REV

6

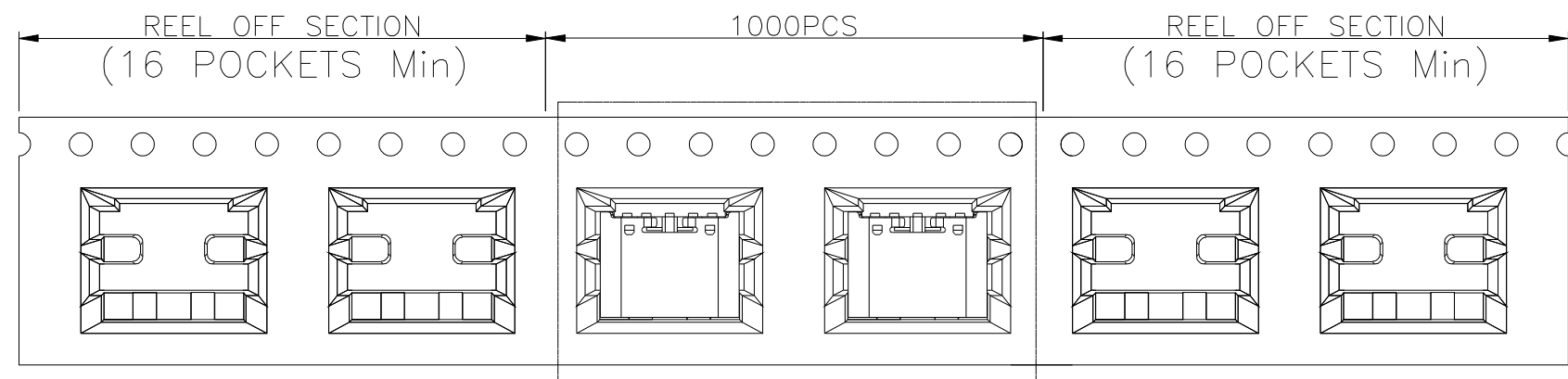
5

4

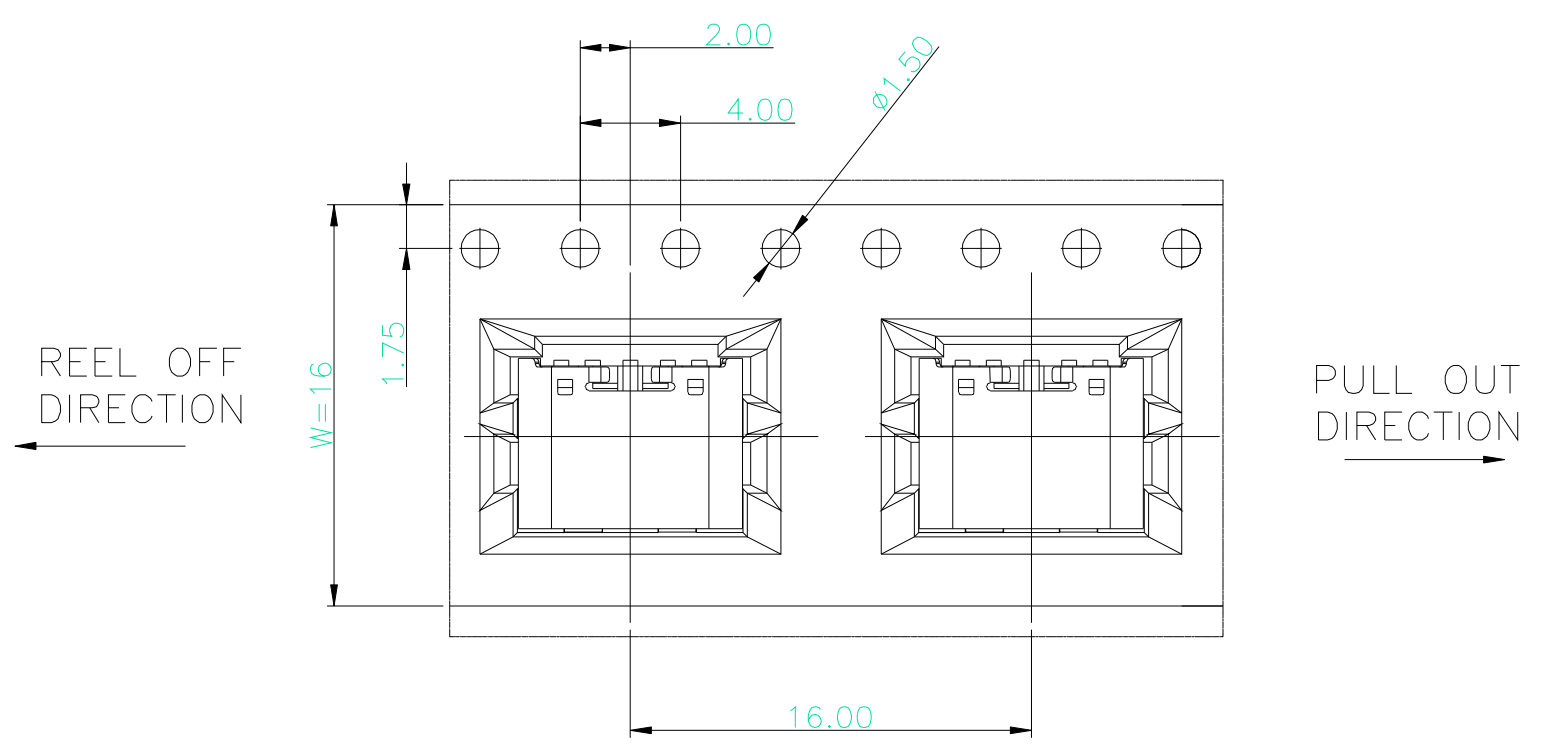
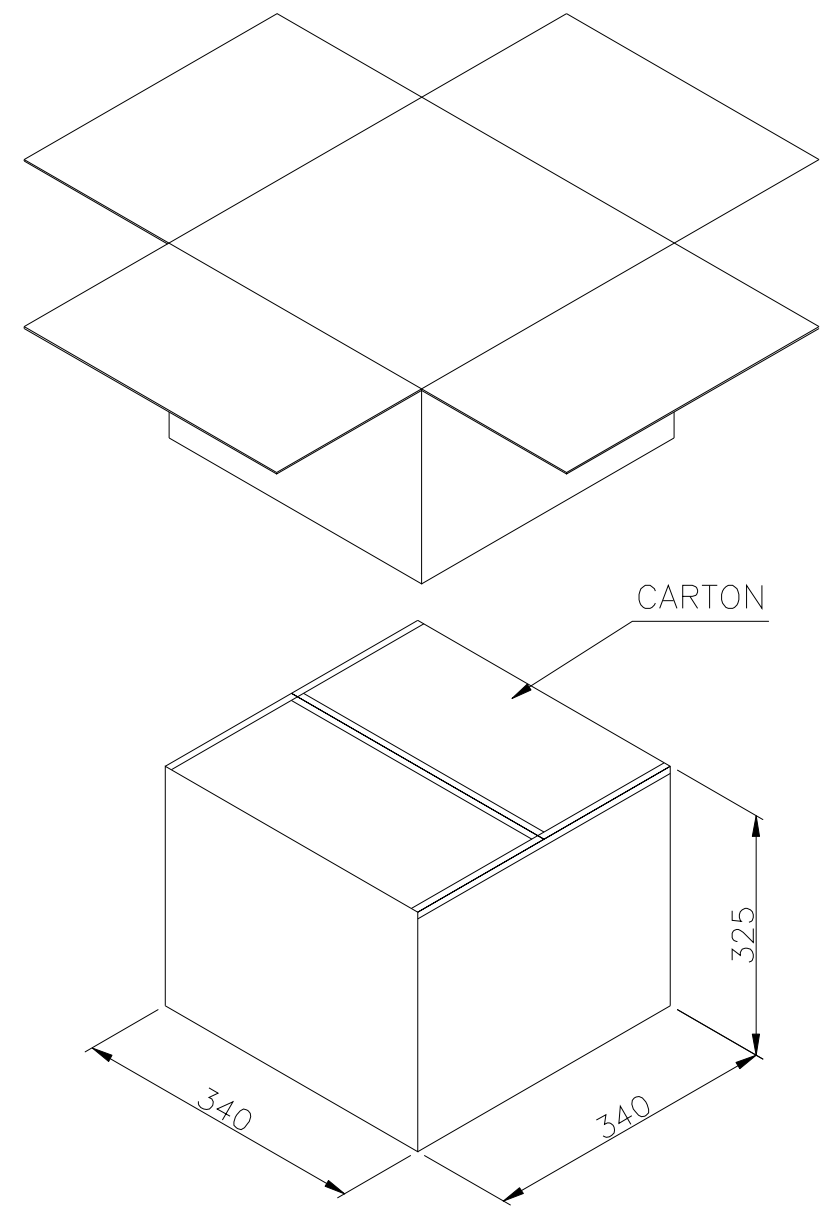
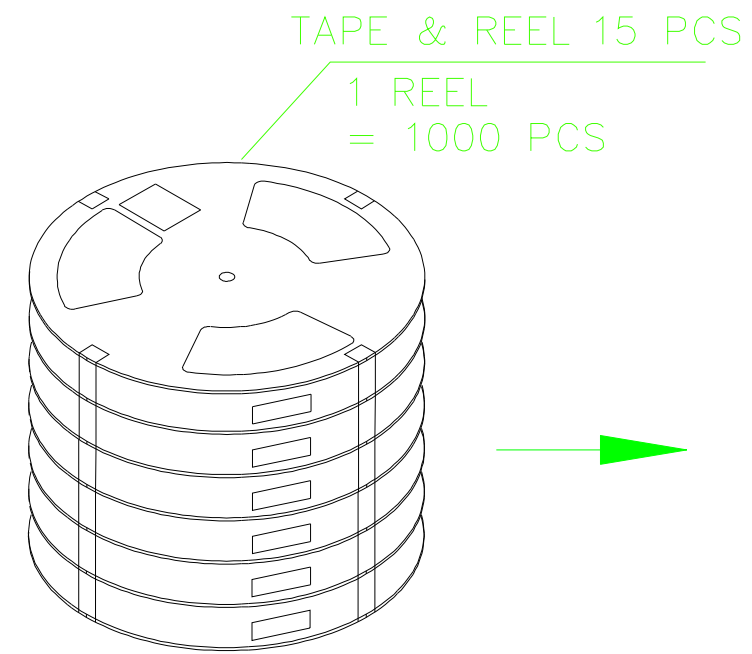
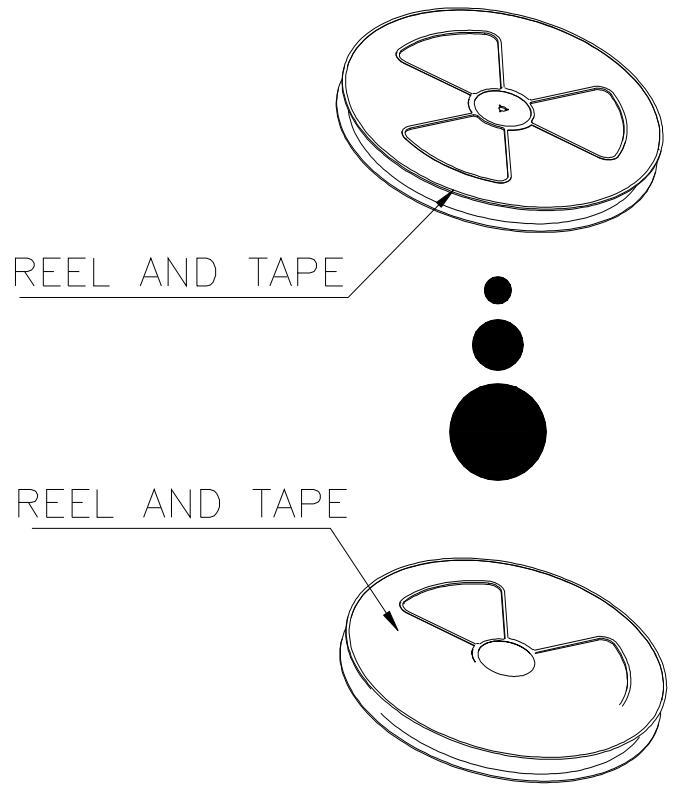
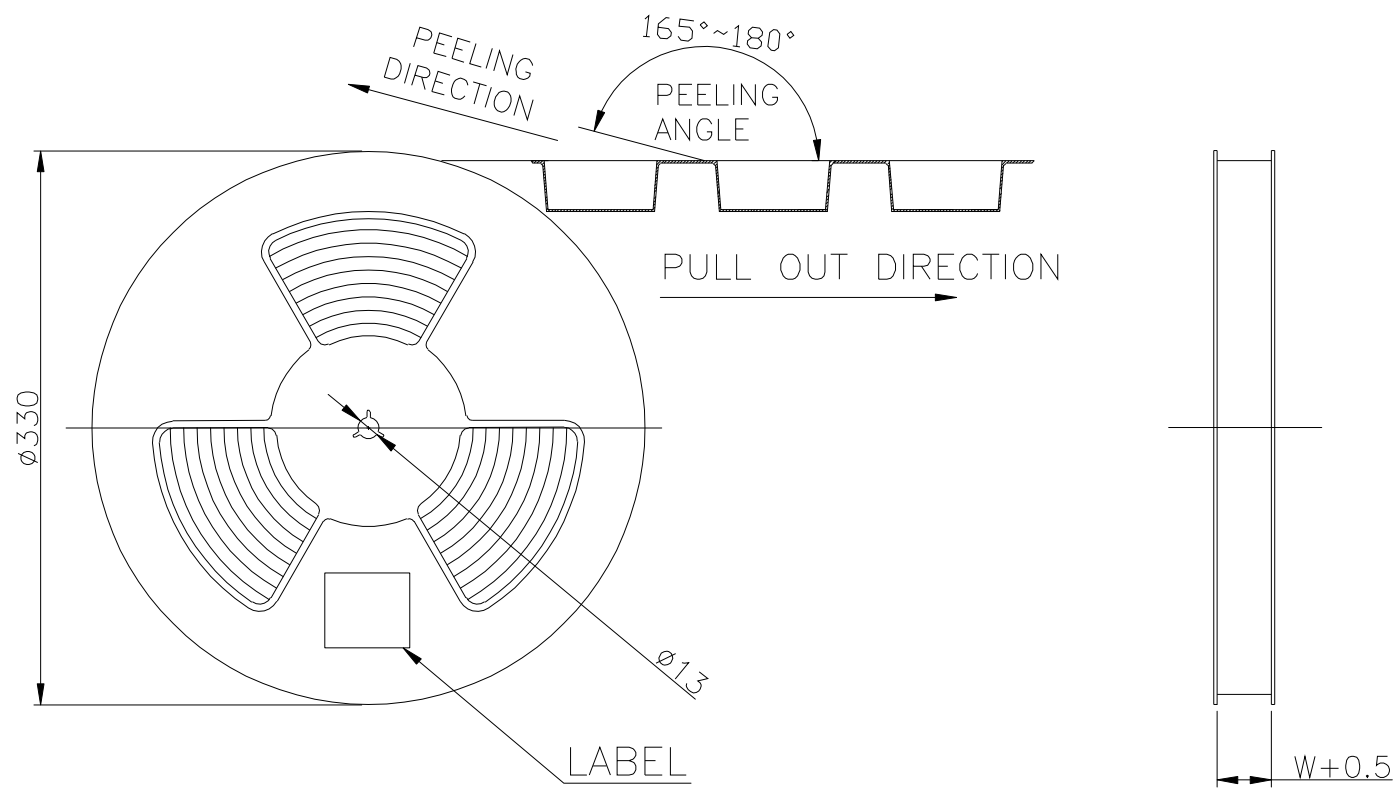
2

1

REV.	ECN NO.	DESCRIPTION	DATE	DESIGN
01	ECN NO.	INITIAL RELEASED	2017.07.27	Hank Pei



SEE DETAIL X



	REEL	CARTON
CONNECTOR (PCS)	1000	10000

TOLERANCE		NAME(INTENDED USE) CUSTOMER DRAWING	三佐部品【中国】股份有限公司		
X.X ±0.30	X.° ±10°	PART NO.	TITLE: MTKEP06WD1AWLNG1N		
.XX ±0.20	.X° ± 8°	DESIGN: DRAW	DRAWG NO. DRAW_NO.		
.XXX ±0.10	.XX° ± 5°	CHED:	SCALE SHEET REV. SCALE SHEET REV		
UNITS	mm	APPD:			
MATERILA					
FINISH					

6

5

4

3

2

1