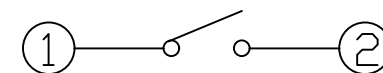
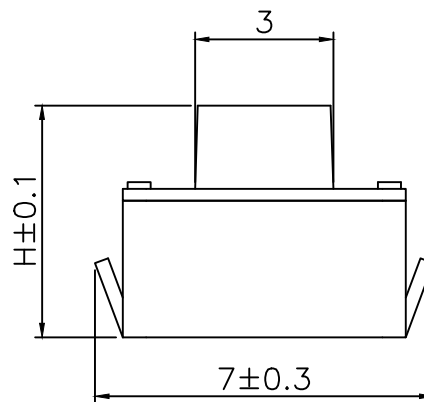
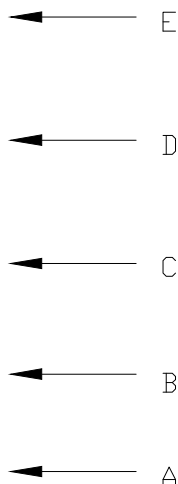
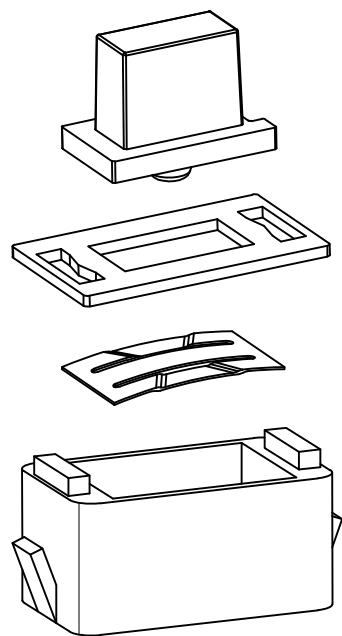


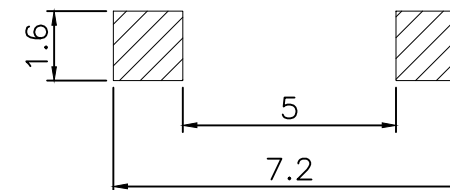
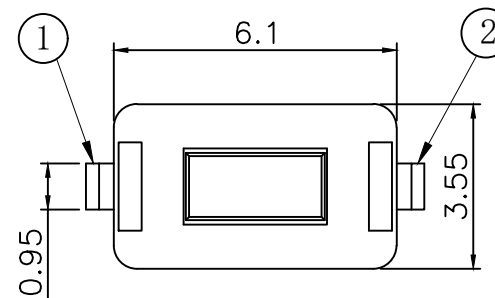
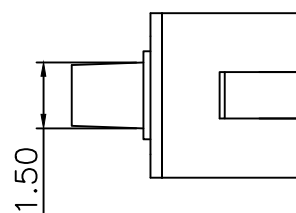
RoHS

CAD GENERATED DRAWING. DON'T CHANGE BY HAND.

REV. ECN. NO. APPD.



CIRCUIT DIAGRAM



PCB. WELDING DRAWING

Specification

Operating Life	100,000
Contact rating	50mA@12V DC.
Insulation resistance	50 Ω min.
Contact resistance	100mΩ max. initial.
Dielectric Strength	250 V AC(1mm)
Travel	0.2±0.1mm
Storage Temperature	-30° C to 80° C

E	Button	PPA	1	White
D	COVER	iron	1	Copper plated tin
C	DOME	Stainless Steel	1	Plated Ag
B	HOUSING	PPA	1	White
A	Cards	Brass brass	1	Plated Ag
ITEM	DESCRIPTION	MATERIAL	QTY	FINISH/COLOR

Mechanical

P/N	Operating Force(gf)	Height mm	Button	Lead shape (G, J, T)	Ground pin (0,1)	Peas Option (0,1)
YTS1C016	1	180±40	B	5	B(BLACK)	J 0 0
	2	260±40	A	4.3		

一般公差
GENERAL TOLERANCE

≥0~2< ±0.15
≥2~5< ±0.25
≥5 ±0.35
角度
ANGLE ±0.5°

UNITS mm

MAT'L

FINISH

Q'TY

THESE DRAWINGS AND SPECIFICATIONS ARE THE PROPERTY OF YIYUAN TECHNOLOGY CO.,LTD AND SHALL NOT BE REPRODUCED, COPIED OR USED IN ANY MANNER WITHOUT THE PRIOR WRITTEN CONSENT OF YIYUAN TECHNOLOGY CO.,LTD
Email at info@yiyuanswitches.com

PART NO. YTS1C016	TITLE: TACTILE SWITCH 6x3.5
	DWG NO.: YTS1C016
APPD: ROGER	SCALE SHEET REV. 1/1 1/1 A1
CHKD: RDC	
DR: BILLY WANG 2020/08/21	

Packaging:
a reel of 1,500 pieces