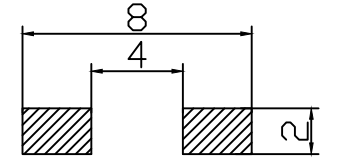
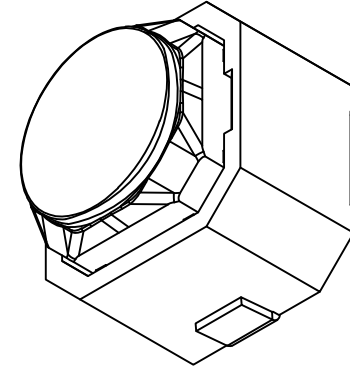
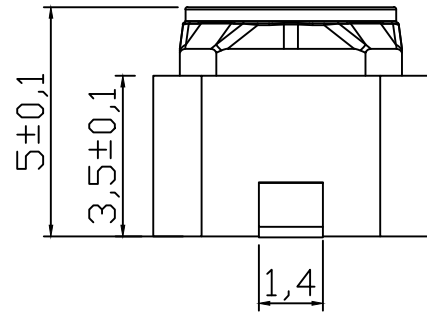
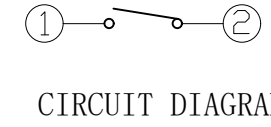
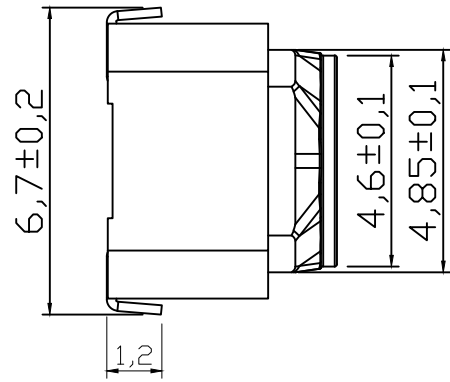
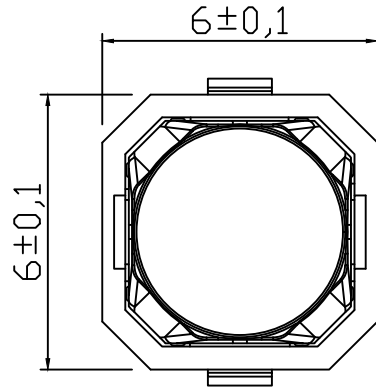
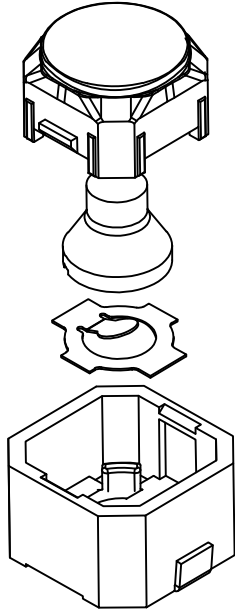


RoHS

CAD GENERATED DRAWING. DON'T CHANGE BY HAND.

REV.	ECN. NO.	APPD.



Specification

Operating Life	100,000
Contact rating	50mA@12V DC.
Insulation resistance	≥100MΩ
Contact resistance	≤100mΩ
Dielectric Strength	250 V AC(1mm)
Travel	1.2±0.4mm
Storage Temperature	-25° C to 85° C

E	Pin, contact	brass	1	Silver plated & gold plated
D	base	LCP	1	resistance of 260°C
C	reed	Phosphorous copper & stainless steel	1	Silver plated & gold plated
B	In the seed	silicone	1	resistance of 260°C
A	button	LCP	1	resistance of 260°C
ITEM	DESCRIPTION	MATERIAL	QTY	FINISH /COLOR

Mechanical

Type	Operating Force(gf)	Height mm	Button	Leads Shape (G,J,T)	Ground pin (0,1)	Pegs (0,1)
YTS2S006	1: 160±30 2: 200±50 3: 250±50	A: 4.3 B: 5.0	B (black)	J	0	0

X. ±0.50	X.* ±2°	UNITS mm
.X ±0.30	.X* ±1°	
.XX ±0.10	.XX* ±0.5°	MAT'L
.XXX ±0.05		
THESE DRAWINGS AND SPECIFICATIONS ARE THE PROPERTY OF YIYUAN TECHNOLOGY CO.,LTD AND SHALL NOT BE REPRODUCED, COPIED OR USED IN ANY MANNER WITHOUT THE PRIOR WRITTEN CONSENT OF YIYUAN TECHNOLOGY CO.,LTD Email at info@yiyuanswitches.com		FINISH
		Q'TY



深圳市怡远科技有限公司  
SHENZHEN YIYUAN TECHNOLOGY CO.,LTD

PART NO. YTS2S006	TITLE: TACTILE SWITCH 6x6
APPD: ROGER	DWG NO.: YTS2S006
CHKD: RDC	
DR: BILLY WANG 2020/08/21	

SCALE	SHEET	REV.
1/1	1/1	A1