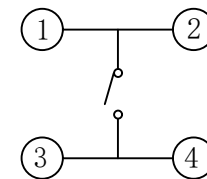
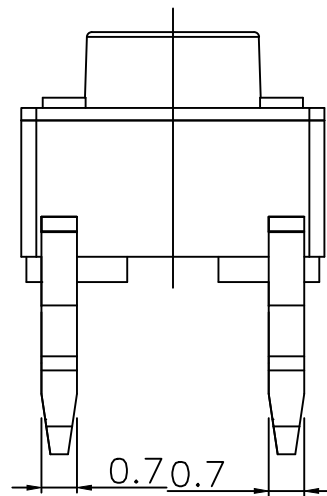
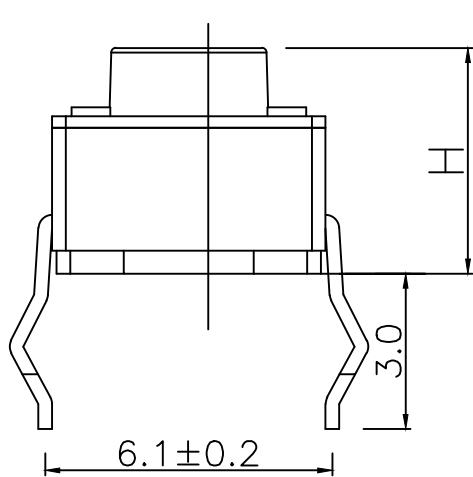
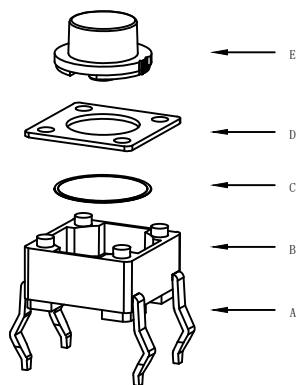


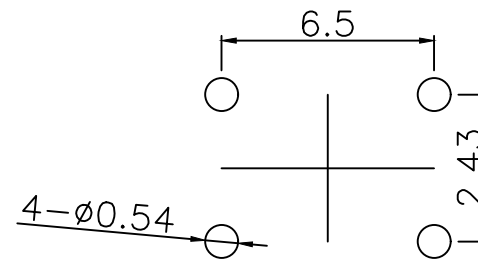
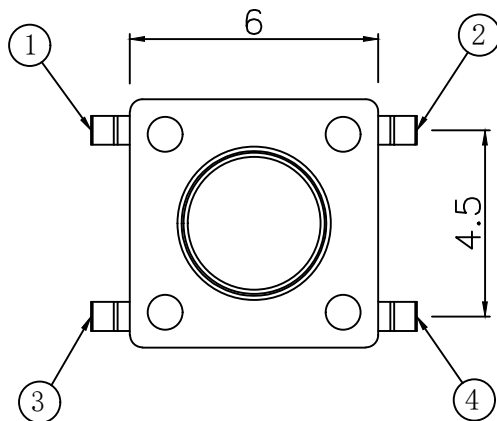
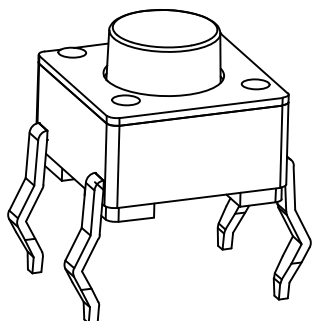
# RoHS

CAD GENERATED DRAWING. DON'T CHANGE BY HAND.

REV.	ECN. NO.	APPD.



CIRCUIT DIAGRAM



PCB. WELDING DRAWING

Specification

Operating Life	100,000
Contact rating	50mA@12V DC.
Insulation resistance	1011Ω min.
Contact resistance	100mΩ max. initial.
Dielectric Strength	250 V AC(1mm)
Travel	0.2±0.1mm
Storage Temperature	- 30° C to 85° C

Packaging:  
1000 pieces Bulk

Mechanical

ITEM	DESCRIPTION	MATERIAL	QTY	FINISH/COLOR
E	Button	PPA	1	Black
D	COVER	Brass	1	Cleaning
C	DOME	Stainless Steel	1	Plated Ag
B	HOUSING	PPA	1	Black
A	PIN	PHOSPHOR BRONZE	1	Plated Ag

Type	Operating Force(gf)	Height mm	Button	Leads Shape (G, J, T)	Ground pin (G, L)	Pegs Option (G, L)
YTS1R001	250±50	Q	B (BLACK)	T	0 (None)	0 (None)
		P				
		O				
		N				
		M				
		L				
		K				
		J				
		H				
		G				
		F				
YTS1R001	160±50	E	B (BLACK)	T	0 (None)	0 (None)
		D				
		C				
		B				
		A				

X.	±0.50	X.°	±2°
.X	±0.30	.X°	±1°
.XX	±0.10	.XX°	±0.5°
.XXX	±0.05		

UNITS	mm
MAT'L	
FINISH	
Q'TY	



深圳市怡远科技有限公司  
SHENZHEN YIYUAN TECHNOLOGY CO., LTD

PART NO.	YTS1R001	TITLE:	TACTILE SWITCH
APPD:	ROGER	DWG NO.:	YTS1R001
CHKD:	ROC	SCALE	1/1
DR:	BILLY WANG 2020/08/21	SHEET	1/1
		REV.	A1