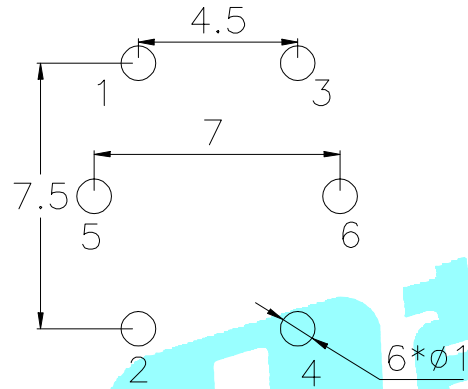
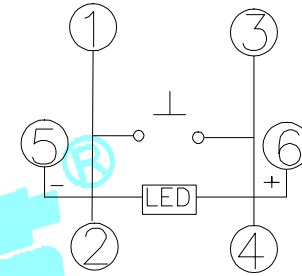


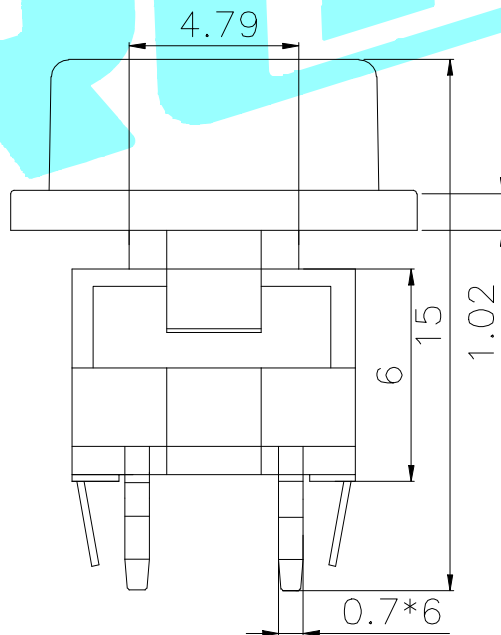
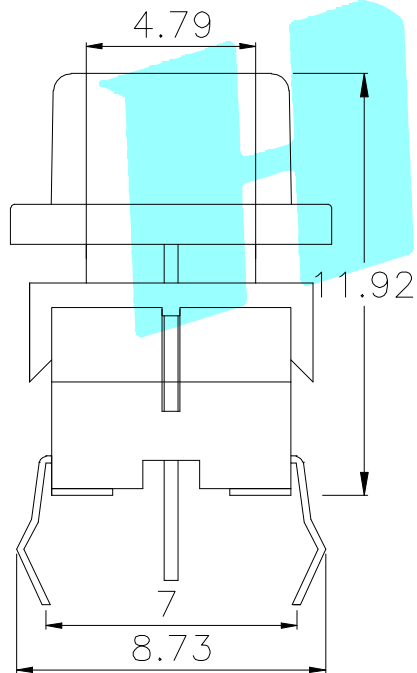
PCB Layout(Pattern Side)



Circuit Diagram



LED colour(LED 颜色)	Part No. (料号)
White(白色)	K6-8811D01
Red(红色)	K6-8811D02
Blue(蓝色)	K6-8811D03
Green(绿色)	K6-8811D04



Typical Specifications

- 1. Rating : DC 12V 50mA
- 2. Operating Force : 250 ± 50 gf
- 3. Contact Resistance : 100mΩMAX
- 4. Life : 100,000 Cycles Min

⑦	LED		1		Transparent	——
⑥	Keystoke		1	PA66	White	——
⑤	Spring		1	Keystoke	Ag	——
④	Base		1	PA66	Black	——
③	Cover		1	PA66	Black	——
②	Terminal	——	6	Phosphor bronze	Ag Plating	——
①	Housing	——	1	Nylon	Black	——
ITEM	PART NAME	TER'NO.	QTY.	MATERIAL	FINISHING	REMARK

APPROVALS		DATE		 ELECTRONICS CO.,LTD			
DRAWN	D.J.LV	2017/12/26					TITLE:
CHECKED				PART NO.	K6-8811D-□□		
APPROVALS				TOLERANCES ARE	ANGLE	UNIT: mm	
		30~12L	±0.30	±2'	DRAWING NO.	SCALE: 1:1	
		10~30	±0.20				
		5~10	±0.15				
ECN NO.	REV.	DATE.	DESCRIPTION.	CHANGE.	CHECK.	APPRO.	PROJ:
	A		NEW				SHEET 1 OF 1