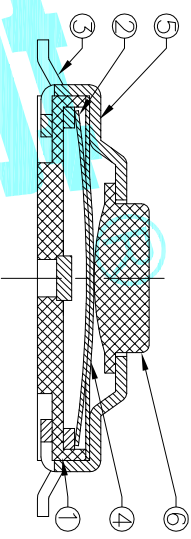
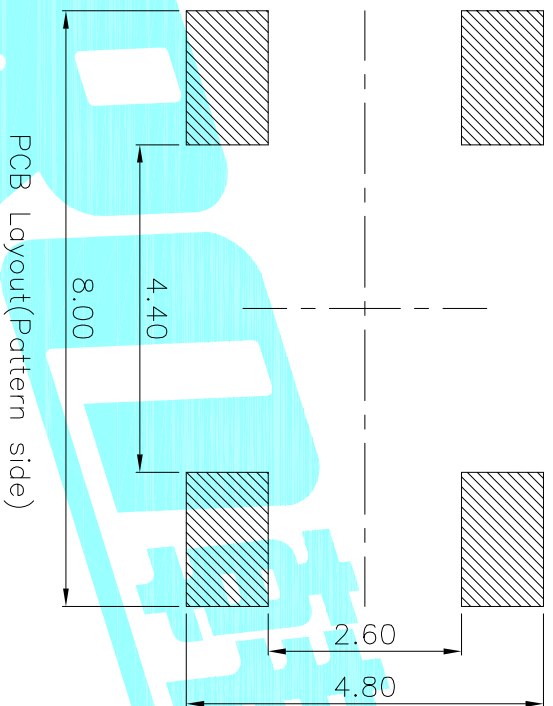
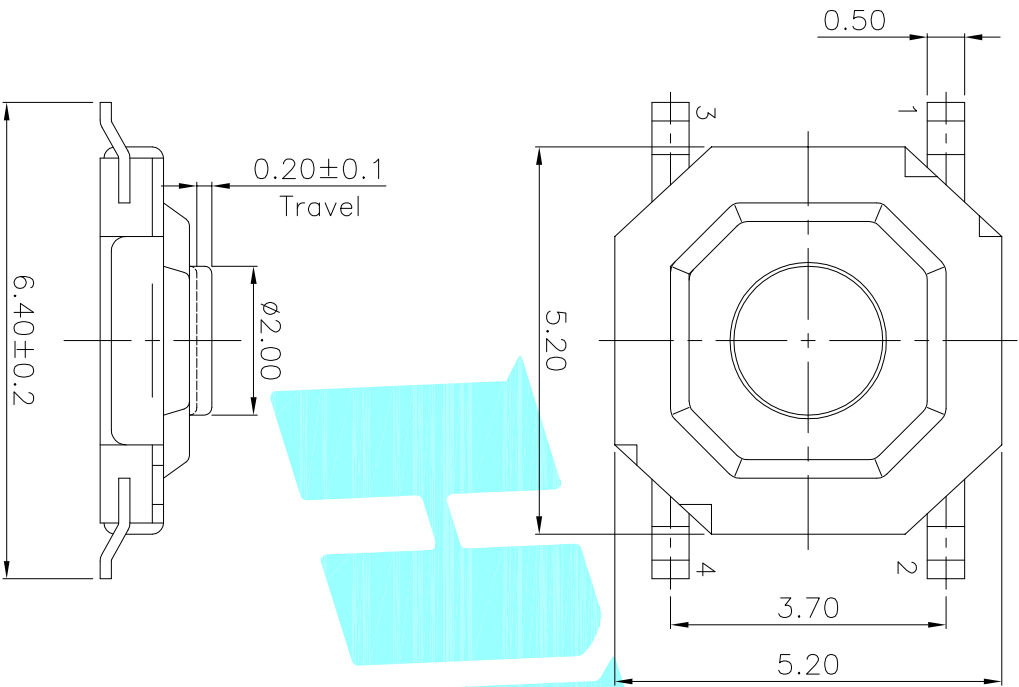


Circuit Diagram

- Typical Specifications :
1. Rating : DC 12V 50mA
 2. Life:100,000 Cycles Min.



NO.1	
PART NO	H
A	1.50
B	1.60
C	1.70
D	2.00
E	2.50
F	3.00
G	4.30
J	3.50
H	5.00

NO.2	
PART NO	vigor
1	90±30
2	130±30
3	180±30
4	250±30
5	350±50

NO.3-NO.4	
PART NO	NOTE
01~99	SERIAL NUMBER

⑥	Knob	—	1	Brass	Yellow	—
⑤	Cover	—	1	SUS	Natural	—
④	Dust Cover	—	1	Kapton Film	Yellow	—
③	Terminal	—	4	Phosphor Bronze	Plating silver	—
②	Contact	—	1	F.Ag/SUS	Natural	—
①	Base	—	1	Nylon	Black	—

APPROVALS		DATE	
DRAWN	xu qi feng	2014/10/31	

APPROVALS		TITLE:	
CHECKED		TACT SWITCHS	
APPROVALS		PART NO.	K2-1187SQ-□□□□-□□
TOLERANCES ARE	30~以上 ±0.30 10~30 ±0.20 5~10 ±0.15 ~5 ±0.10	SCALE:	1:1
		DRAWING NO.	
		SHEET	1 OF 1

ECN NO.	REV.	DATE.	DESCRIPTION.	CHANGE.	CHECK.	APPRO.
	A		NEW			



ELECTRONICS CO.,LTD