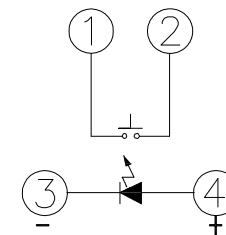
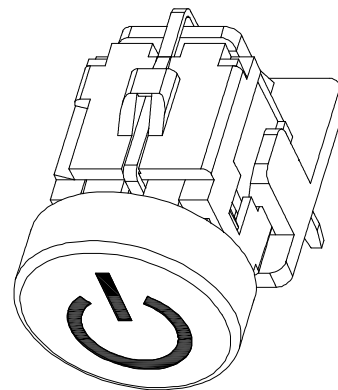
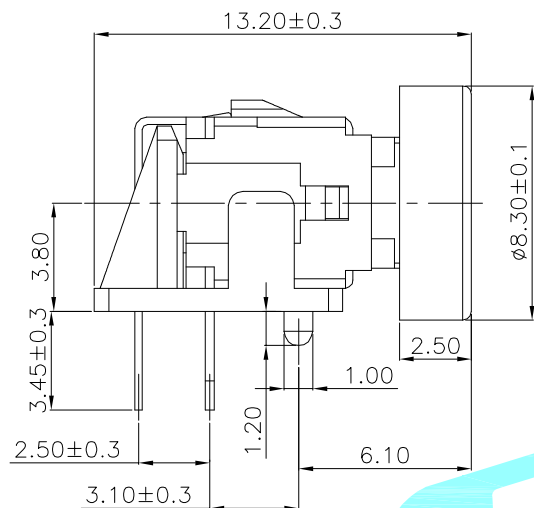
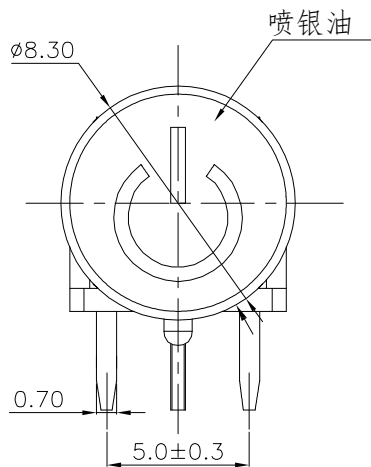
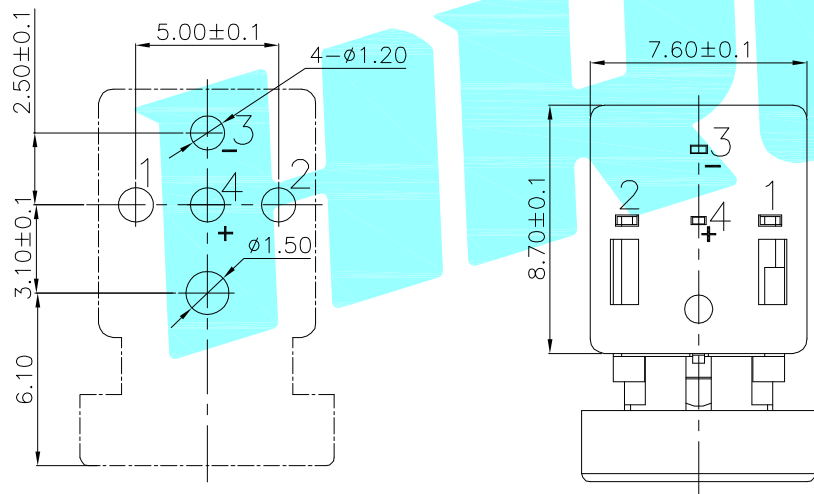


**ROHS**



**Ⓟ** Circuit Diagram



PCBLayout(pattern Side)

LED colour(LED颜色)	Part No. (料号)
Whiter(白色)	K6-6277D-01
Red(红色)	K6-6277D-02
Blue(蓝色)	K6-6277D-03
Green(绿色)	K6-6277D-04
Yellow(黄色)	K6-6277D-05
Orange(橙色)	K6-6277D-06
Jade Green(翠绿色)	K6-6277D-07
Red(红色)/Blue(蓝色)	K6-6277D-23

Typical Specifications

1. Rating : DC 30V 0.3A
2. Operating Force : 250 ± 50 gf
3. Contact Resistance : 100mΩMAX
4. Life : 100,000 Cycles Min

②	Terminal	4	Phosphor bronze	Au Plating		
①	Housing	1	Nylon	Black		
ITEM	PART NAME	TER'NO.	QTY.	MATERIAL	FINISHING	REMARK

APPROVALS		DATE		 ELECTRONICS CO.,LTD		
DRAWN	J.X.Zhang	2018/08/01				
CHECKED				PART NO.	K6-6277D-□□	
APPROVALS				UNIT: mm	SCALE: 1:1	PROJ:
TOLERANCES ARE		30~以上	±0.30	ANGLE		
		10~30	±0.20			
		5~10	±0.15			
		~ 5	±0.10	±2'	DRAWING NO.	

_____	A	_____	NEW	_____	_____	_____
ECN NO.	REV.	DATE.	DESCRIPTION.	CHANGE.	CHECK.	APPRO.