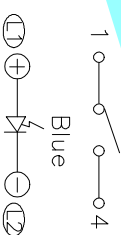
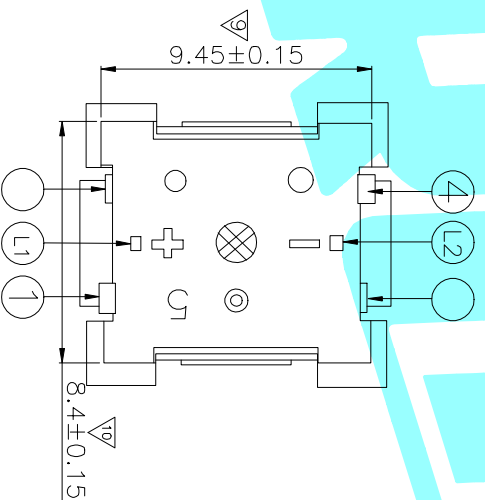
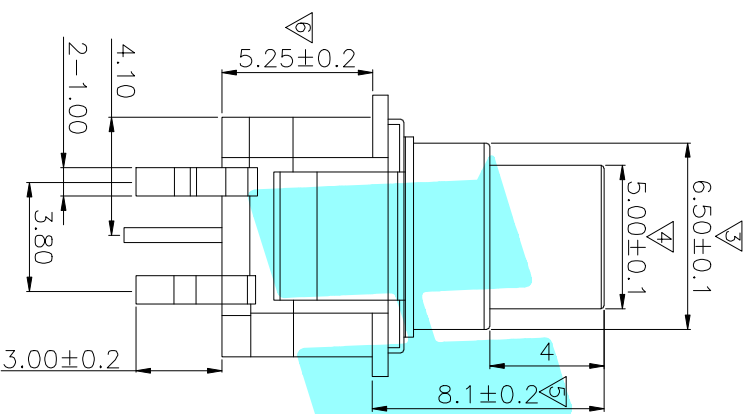


LED colour(LED颜色)	Part No. (料号)
Whiter(白色)	K6-6610D01
Red(红色)	K6-6610D02
Blue(蓝色)	K6-6610D03
Green(绿色)	K6-6610D04
Yellow(黄色)	K6-6610D05
Orange(橙色)	K6-6610D06



电路图

- 技术参数**
1. 额定电流: DCV 50mA.
 2. 耐电压: 交流250伏 (50-60赫兹) 持续1分钟.
 3. 接触阻抗: 100毫欧max.
 4. 绝缘阻抗: 100兆欧min 250V DC.
 5. 操作力: 450gf±100gf.
 6. 产品寿命: 100,000次.
 7. 导通行程: 1.20±0.25mm.
 8. 操作类型: 触动回复式.

② Terminal	Phosphor bronze	Au Plating
① Housing	Nylon	Black
ITEM PART NAME	TER'NO.	QTY.
APPROVALS		
DRAWN	J.X.Zhong	DATE 2013/11/11
ELECTRONICS CO.,LTD		
TITLE: LED Tact Switch		
PART NO. K6-6610D		

ECN NO.	REV.	DATE.	DESCRIPTION.	CHANGE.	CHECK.	APPRO.	TOLERANCES ARE	30~45°	10~30°	5~10°	±2'	DRAWING NO.	PROJ.	SHEET
	A		NEW				±0.30	±0.15	±0.20	±2'				1 OF 1