

Circuit Diagram

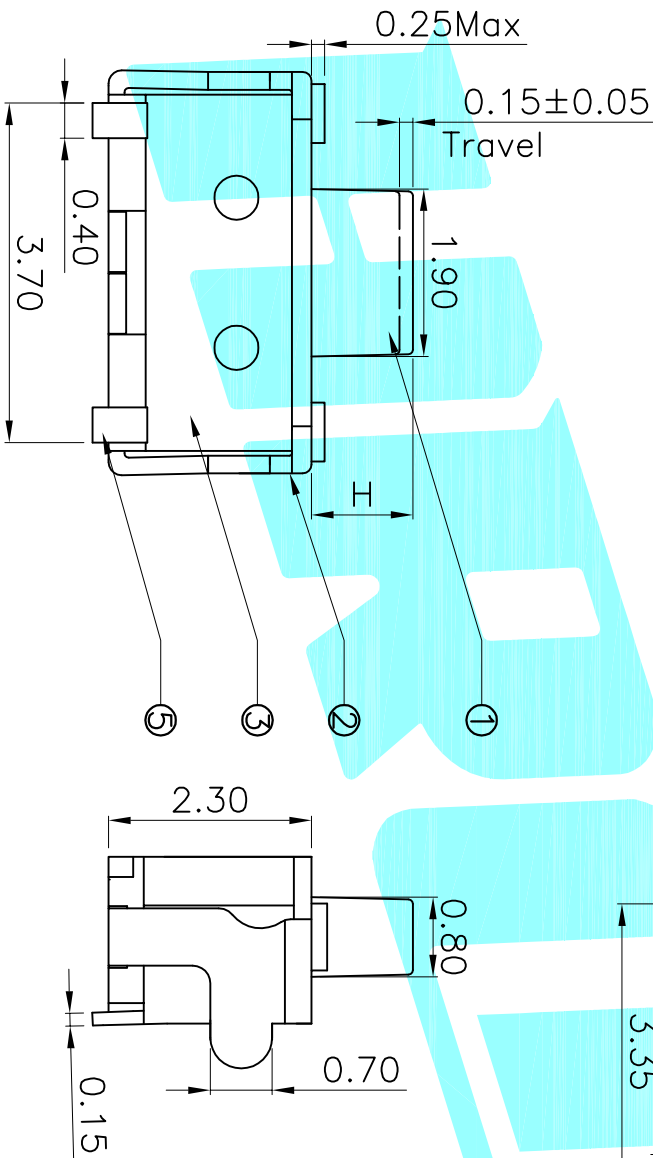


NO.1	
PART NO	H
A	1.2
B	1.5

NO.3	
PART NO	MATERIAL/QTY
S	SUS/1PC
D	SUS/2PCS

NO.2	
PART NO	vigor
1	90±30
2	130±30
3	180±30
4	250±30

NO.4-NO.5	
PART NO	NOTE
01~99	SERIAL NUMBER



ITEM	PART NAME	TER'NO.	QTY.	MATERIAL	FINISHING	REMARK
①	Dust cover	—	1	KAPTON FILM	—	—
②	Terminal	—	2	Phosphor Bronze	Plating silver	—
③	Contact	—	1	F.Ag/C5210	—	—
④	Base	—	1	PA46	White	UL94V-0
⑤	Cover	—	1	Brass	Plating Sn	—
⑥	Keystroke	—	1	PA46	Black	UL94V-0

APPROVALS		DATE
DRAWN	JKUNLU	2015/4/21

CHECKED		TITLE:	
APPROVALS		TACT SWITCHS	
TOLERANCES ARE		PART NO.	K2-1806SW-□□□W-□□
30~0.1	±0.30	SCALE:	1:1
10~0.30	±0.20	PROJ.	□
5~0.10	±0.15	DRAWING NO.	—
~5	±0.10	SHEET	1 OF 1

ECN NO.	REV.	DATE.	DESCRIPTION.	CHANGE.	CHECK.	APPRO.
—	A	—	NEW	—	—	—



ELECTRONICS CO., LTD