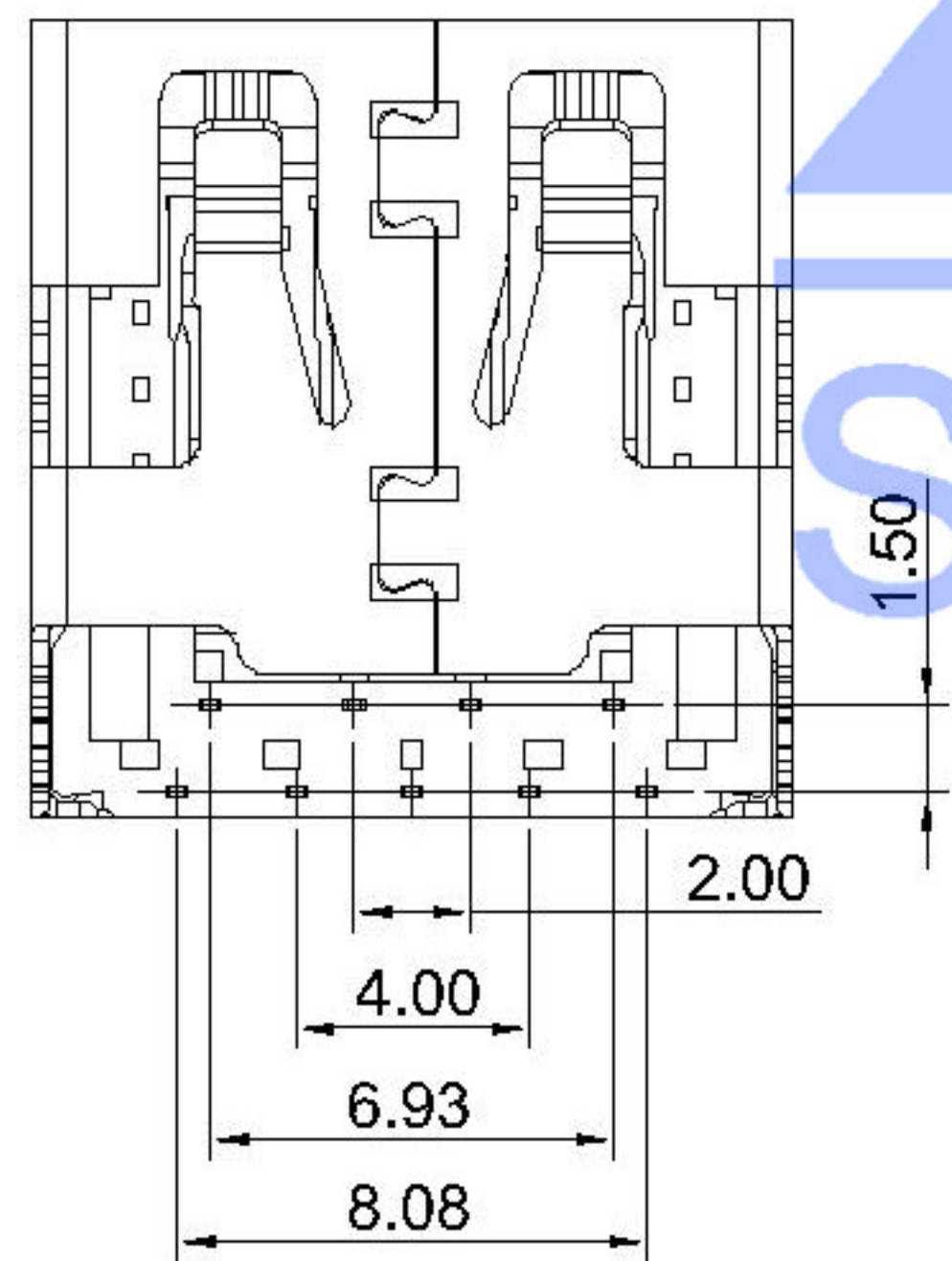
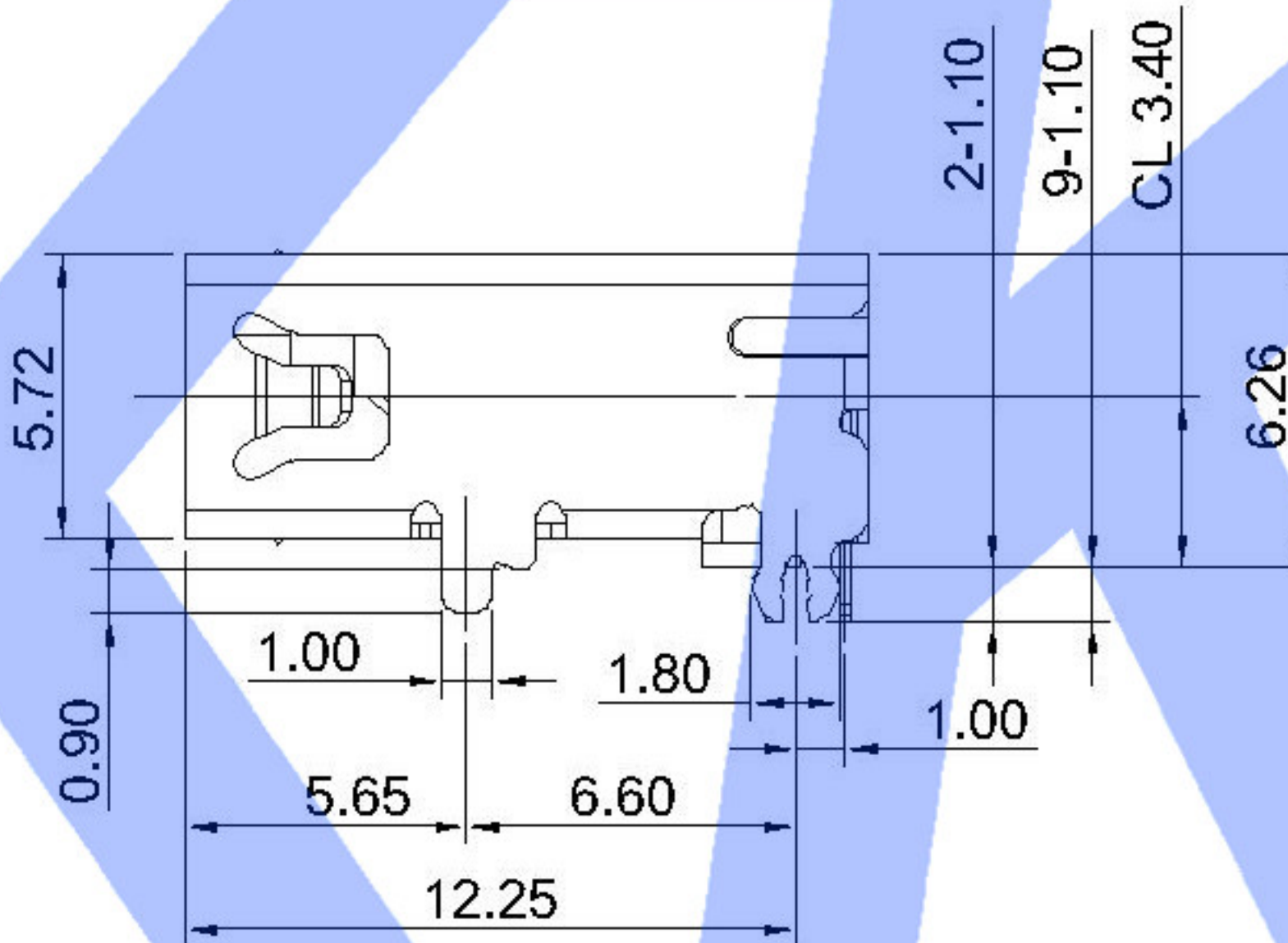
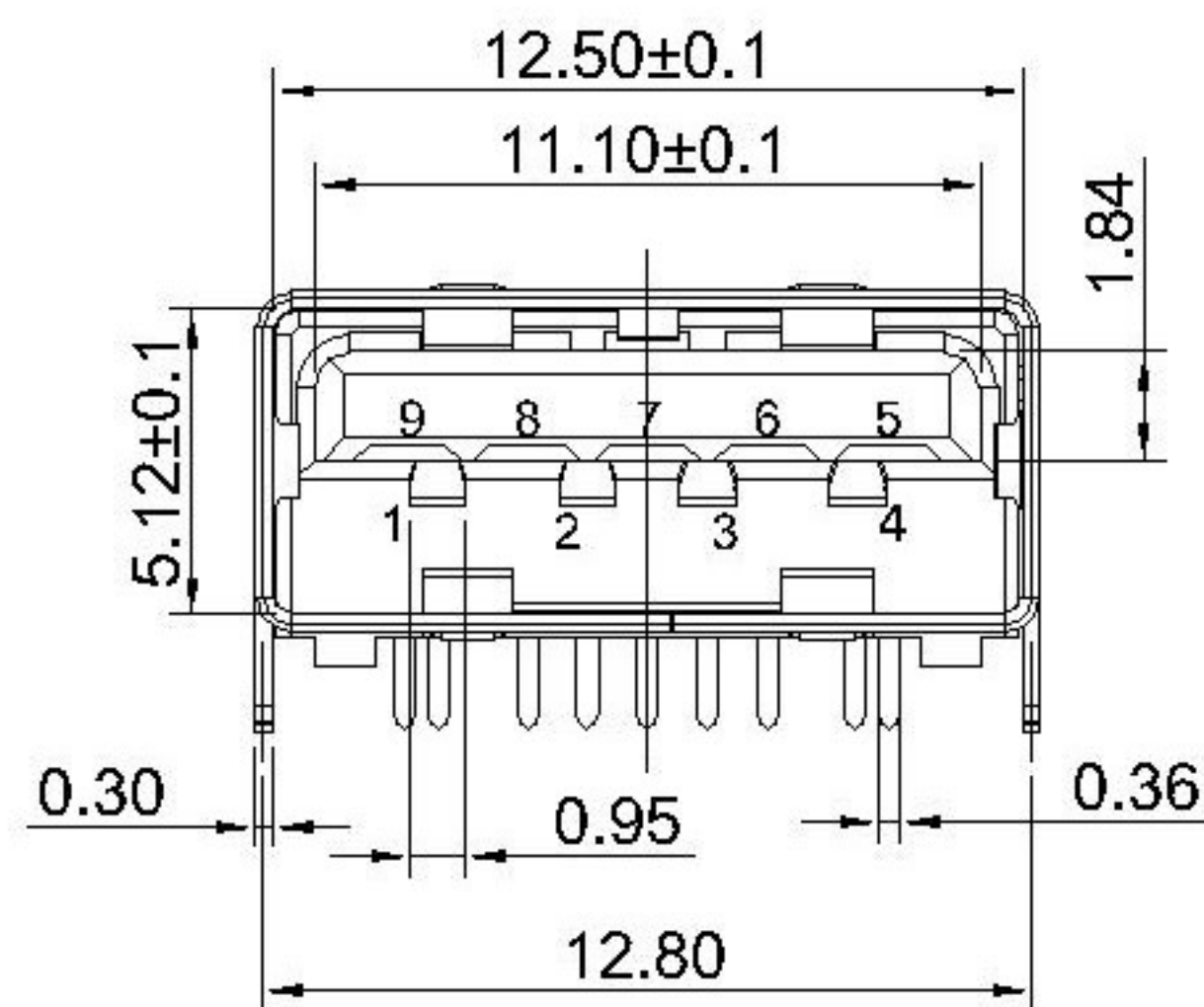
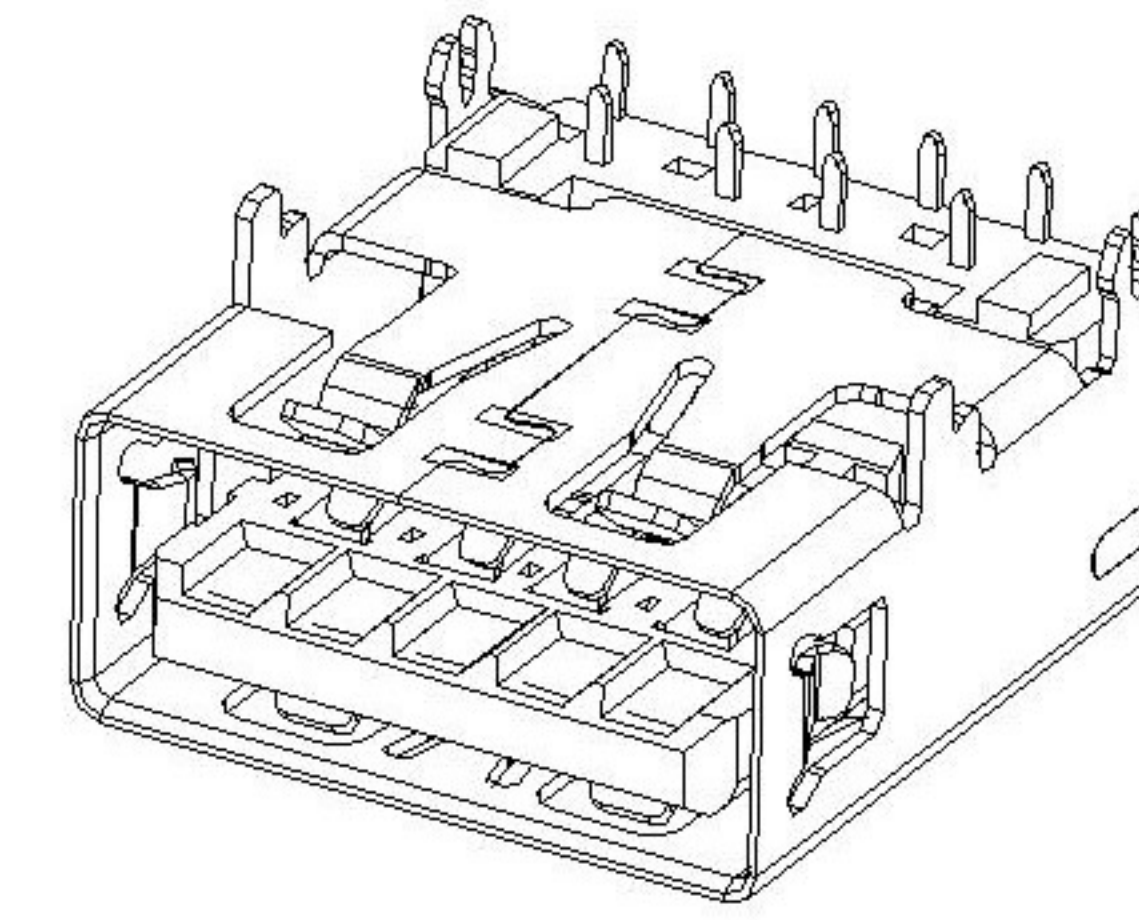


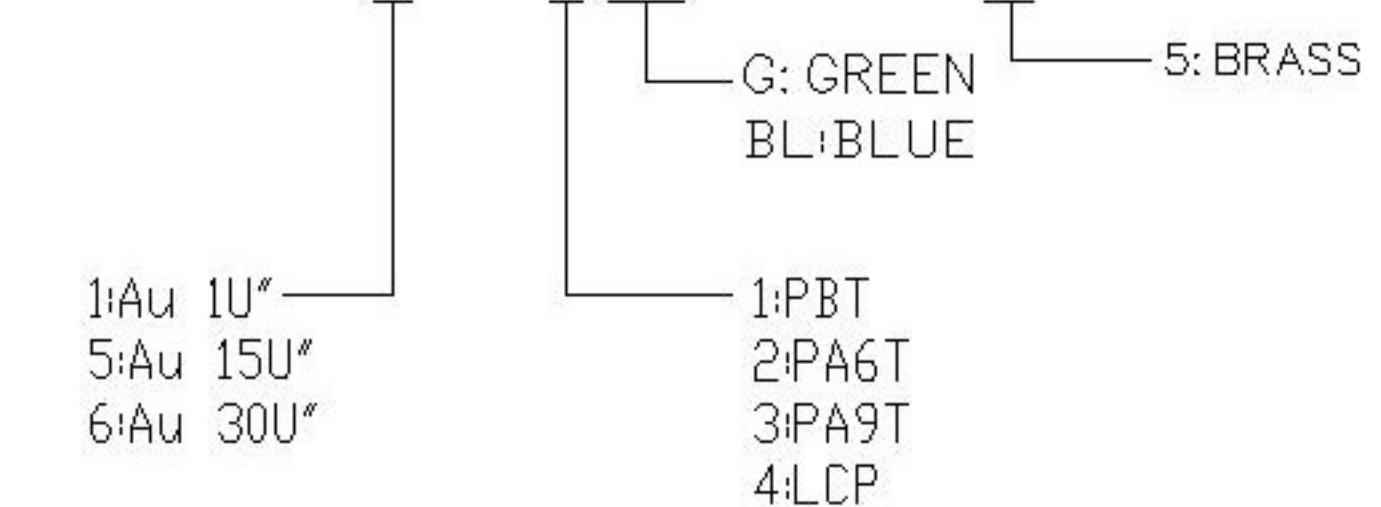
TOLERANCE: ± 0.05 , THICKNESS: 1.2mm
 RECOMMENDED PCB LAYOUT
 (TOP VIEW)
 KEEP OUT AREA



Pin #	SIGNAL NAME	DESCRIPTION	MATING SEQUENCE
1	VBUS	POWER	SECOND
2	D-	USB 2.0 DIFFERENTIAL PAIR	THIRD
3	D+		
4	GND	GROUND FOR POWER RETURN	SECOND
5	StdA_SSRX-	SUPERSPEED RECEIVER DIFFERENTIAL PAIR	LAST
6	StdA_SSRX+		
7	GND_DRAIN	GROUND FOR SIGNAL RETURN	
8	StdA_SSTX-	SUPERSPEED TRANSMITTER DIFFERENTIAL PAIR	
9	StdA_SSTX+		
Shell	Shield	CONNECTOR METAL SHELL	FRIST

Material
 Housing Material: PA9T, UL94V-0, green/blue
 Contact Terminal: Brass
 Metallic Shell: Brass
Plating
 Underplating: Nickel
 Contact Plating: 1 μ " Gold
 Solder Tail: 100 μ " Min. Tin
 Metallic Shell: Nickel
Electrical
 Voltage Rating: 100 V AC
 Current Rating: 0.25A (Signal pins 2,3,5,6,7,8,9) 3A (Power Pins 1,4)
 Contact Resistance: 30m Ω Max.
 Insulation resistance: 1000M Ω Min.
 Dielectric withstanding voltage: 100V AC/Minute
Mechanical
 Durability: 1500 cycles
 Mating Force: 35N (3.57Kgf) Max
 Unmating Force: 10N (1.02Kgf) Min. initial, 8N min after test
 Environmental and Processing
 Operating Temperature: -40°C to +85°C

U231-09XN-3XRC10-5



MARK	DESCRIPTION	DATE	REVISED	APPROVED	UNSPECIFIED TOLERANCES
Δ X					ANGULAR $\pm 5^\circ$
Δ X					$L \leq 4$ ± 0.2
Δ X					$4 < L \leq 16$ ± 0.3
					$16 < L \leq 63$ ± 0.4
					$L > 63$ ± 0.5

DSND	DATE	SCALE: N/A	MODEL TYPE: USB 3.0
DWN	DATE	VIEW:	PART NO.:
CHKD	DATE	UNIT: mm	DWG NO.:
APPD	DATE	SIZE: A4	U231-09XN-3XRC10-5
XKB INDUSTRIAL PRECISION CO., LIMITED			WEIGHT: 1.0g
			SHEET: 1/1
			REVISION: A0