

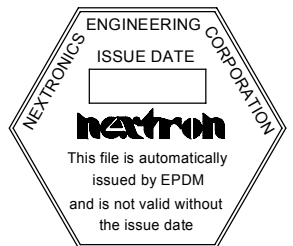
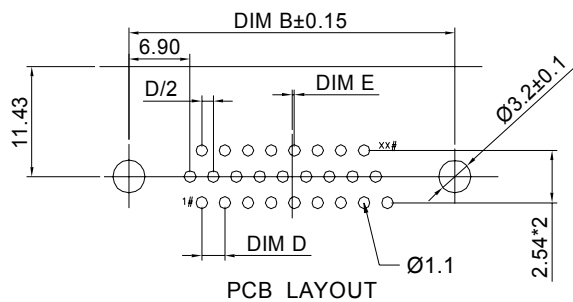
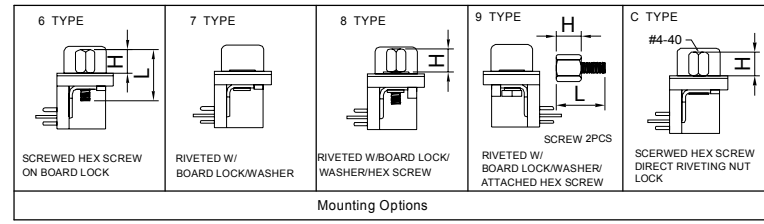
| | | | | | |
|----------|-----------|-------|-------|------|------|
| 62P | 54.84 | 63.50 | 69.32 | 2.41 | 0.58 |
| 44P | 38.38 | 47.04 | 53.04 | 2.29 | 0.51 |
| 26P | 24.66 | 33.32 | 39.14 | 2.29 | 0.51 |
| 15P | 16.33 | 24.99 | 30.81 | 2.29 | 0.25 |
| POS. NO. | DIMENSION | | | | |

SPECIFICATIONS:
 Current rating:3.0A AC/DC
 Voltage rating:250V AC/DC
 Contact resistance:30m ohm MAX
 Insulation resistance:5000M ohm MIN
 Withstanding voltage:1000V AC for one minute
 Operating temperature range:-40°C ~ +85°C

MATERIAL AND FINISH
 Insulator:PBT+30%G.F(UL94V-0)
 Contact:Copper Alloy Nickel Undercoated
 Selective Gold Plated
 SHELL:Metal Iron With Tin Plated

PART NO.

Z-SUBHR * F * * 7 * * * *
 NO. OF CONTACTS
 B=15PIN
 D=26PIN
 F=44PIN
 G=62PIN
 H=78PIN
 TYPE
 F=FEMALE
 MOUNTING OPTIONS
 6=SCREWED HEX SCREW ON BOARD LOCK
 7=RIVETED W/ BOARD LOCK/WASHER
 8=RIVETED W/BOARD LOCK/WASHER/HEX SCREW
 9=RIVETED W/ BOARD LOCK/WASHER/ ATTACHED HEX SCREW
 C=SCREWED HEX SCREW DIRECT RIVETING NUT LOCK
 LOGO
 0=NO LOGO
 2=NEXTRON LOGO
 INSULATOR COLOR
 0=BLACK
 6=BLUE
 9=WHITE
 INSULATOR MATERIAL
 0=PBT
 2=NYLON
 PLATED
 A=GOLD 1u"/LIGHT TIN
 B=GOLD 3u"/LIGHT TIN
 C=GOLD 5u"/LIGHT TIN
 E=GOLD 15u"/LIGHT TIN
 F=GOLD 30u"/LIGHT TIN
 CONTACT MATERIAL
 7=PHOSPHOR BRONZE
 NUT POST HEIGHT(H*L) $\triangle B$
 0=5.8*12.8(STD)
 1=4.8*11.8



| | | |
|------|---------------------------|------------|
| B | ECN-19105 $\triangle B=1$ | 2019/11/14 |
| A | ADD LOGO MARK | 2016/06/11 |
| REV. | DESCRIPTION | DATE |

| | | | | | | | | | | | |
|--|------------|-------------------------------|--|--|--|-------|-------|------|-----|-----|---|
| UNITS: ■ mm □ inch | SIZE A3 | NAME: D-SUB HR TYPE FEMALE | NEXTRONICS ENGINEERING CORP. | | | | | | | | |
| GENERAL TOLERANCE: (UNLESS SPECIFIED) | | PART NO: Z-SUBHRXFX7XXXX | TITLE: CUSTOMER DWG | | | | | | | | |
| 4 PLACE | ± ** | ±. ** | DWG NO: 010-0000-F39 | | | | | | | | |
| 3 PLACE | ± ** | ±. ** | <table border="1"> <tr> <td>SCALE</td> <td>SHEET</td> <td>REV.</td> </tr> <tr> <td>1/1</td> <td>1/1</td> <td>B</td> </tr> </table> | | | SCALE | SHEET | REV. | 1/1 | 1/1 | B |
| SCALE | SHEET | REV. | | | | | | | | | |
| 1/1 | 1/1 | B | | | | | | | | | |
| 2 PLACE | ± 0.20 | ±. ** | | | | | | | | | |
| 1 PLACE | ± 0.30 | ±. ** | | | | | | | | | |
| ANGLES | X° ± 3° | DESIGN: Lu陳惠枝 | 2019/11/14 | | | | | | | | |