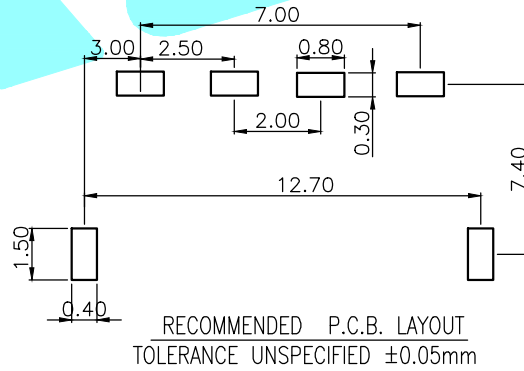
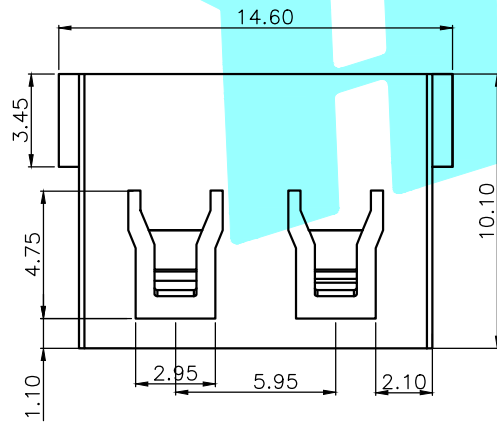
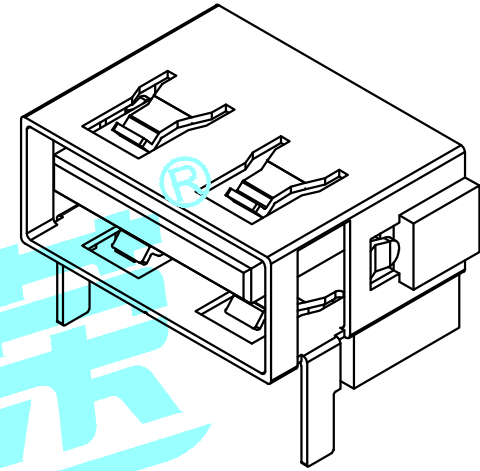
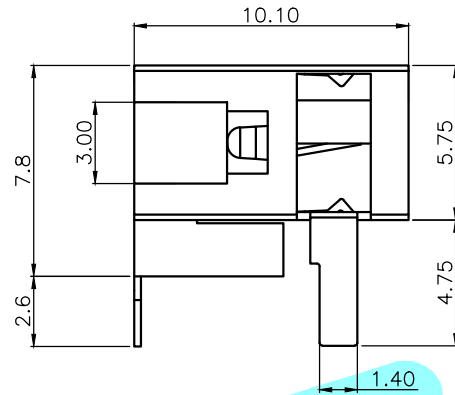
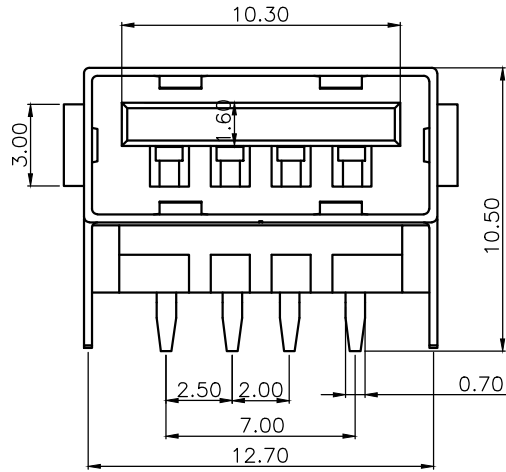


ROHS



NOTES:

- 1.Specifications
 - 1-1.INSERT FORCE:35N MAX.
 - 1-2.WITHDRAW FORCE:10N MIN.INITIAL 8-20N AFTER
 - 1-3.Current rating:1.0A
 - 1-4.Voltage Rating:30V
 - 1-5.Life Test:10000 CYCLES MIN.
 - 1-6.:Dielectric withstanding:voltage100V AC MIN.
 - 1-7.Contact resistance:30mΩ MAX.INITIAL;40mΩ MAX AFTER
 - 1-8.Insulation resistance:100MΩ MIN
 - 1-9.Temperature range:-30°TO +80°

APPROVALS		DATE	 ELECTRONICS CO.,LTD			
DRAWN	D.J.LV	2017/12/26				
CHECKED			TITLE:	USB CONNECTOR		
APPROVALS			PART NO.	U-A-24DD-W-1		
TOLERANCES ARE	30~以上	±0.30	ANGLE	UNIT: mm	SCALE: 1:1	PROJ:
	10~30	±0.20				
	5~10	±0.15	±2'	DRAWING NO.		SHEET 1 OF 1
	~ 5	±0.10				

ECN NO.	REV.	DATE.	DESCRIPTION.	CHANGE.	CHECK.	APPRO.
	A		NEW			