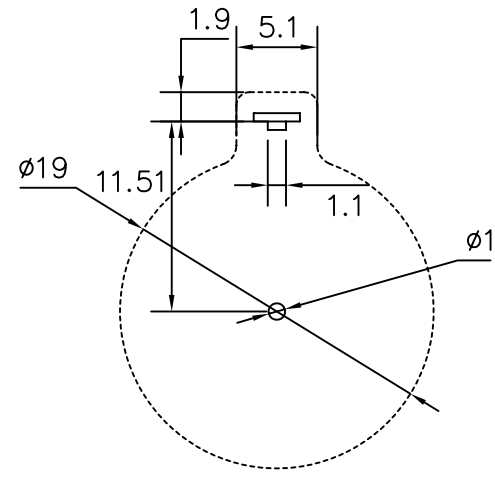
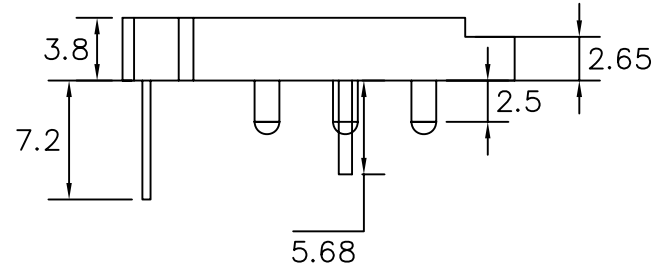
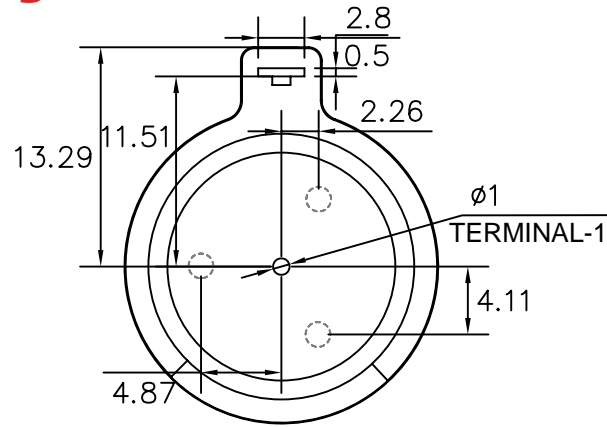
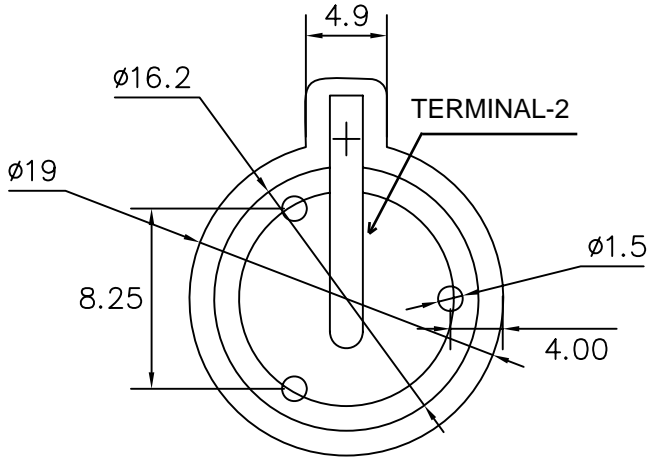


REV.	MATTER	APP.	DATE
A			



PCB HOLE LAYOUT



NOTE:

- 1.MATERIAL:
 - a.HOUSING:THERMOPLASTIC GLASS FIBRE UL94V-0
 - b.CONTACT:PHOSPHOR BRONZE (SURFACE PLATING:Ni100u")
 - SEE ORDERING INFORMATION
- 2.ELECTRIC:
 - a.CONTACT RESISTANCE: 30 MILLIOHMS MAX
 - b.INSULATION RESISTANCE: 1000 MEGA OHMS MIN
 - c.DIELECTNIC VOLTAGE: 750V AC ONE SEC LEVEL
 - d.OPERATING TEMPERATURE: -55°C~ +85°C

ORDERING INFORMATION

BS-16-A**0*0025

电池座系列 ————

BS-16系列 ————

DIP 90° TYPE ————

MATERIAL: _____

- 1A—PBT WHITE
- 1B—PBT BLACK
- 2A—PA66 WHITE
- 2B—PA66 BLACK
- 3A—PA6T WHITE
- 3B—PA6T BLACK

PLATING: _____

- J—Ni100U"~120U"
- K—Ni150U"

CRUST: _____

- O—WITHOUT

TOLERANCE		Tolerance:Unless otherwise specified			
LINEAR	ANGLE	3	TERMINAL-2	C5191	Ni-Plated
		2	TERMINAL-1	H62	Ni-Plated
		1	HOUSING	PBT	BLACK
		NO.	PART NAME	MATERIAL	COLOR/FINISHED

深圳市金航标电子有限公司	www.kinghelm.com.cn	日期DATE	单位UNITS	审核CHECK	BATTERY HDLDER	PART NO.
		2011.10.28	mm			BS-16-A1B0J0025
KH-BS1632-1	0755-28190160	比例SCALE	制图DRAW	设计DESIGN	TITLE: 两PIN电池座卧式 (BS-1632)	
		1/1				