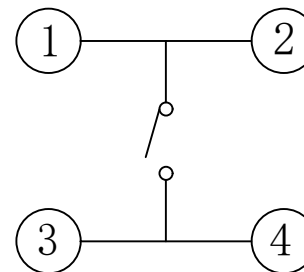
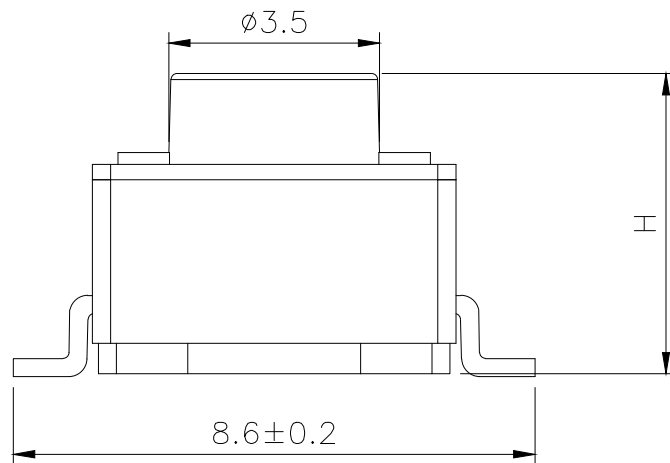
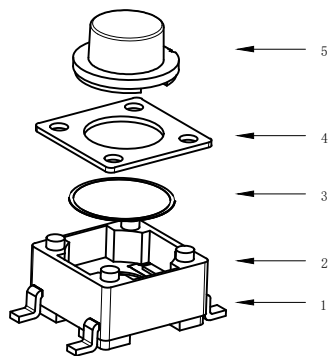


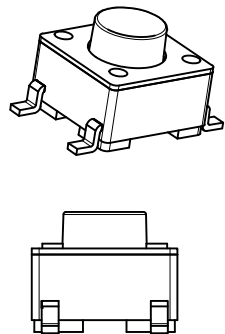
# RoHS

CAD GENERATED DRAWING. DON'T CHANGE BY HAND.

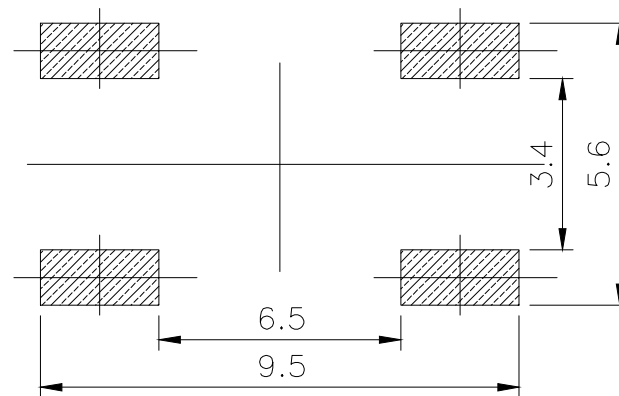
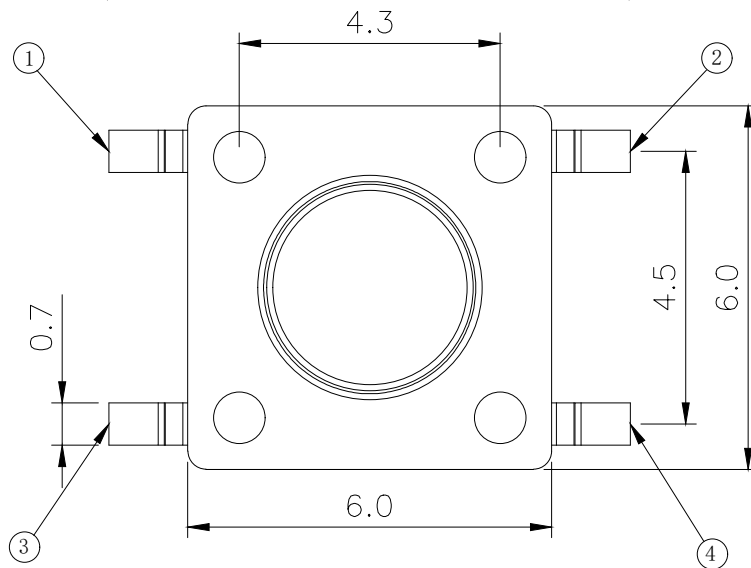
REV.	ECN. NO.	APPD.



CIRCUIT DIAGRAM



Specification



PCB. WELDING DRAWING

Packaging:  
 A reel of 1000 pieces for 4.3~6.5H  
 A reel of 800 pieces for 7.0~7.5H  
 A reel of 700 pieces for 8.0~9.0H  
 A reel of 500 pieces for 9.5~15.0H

Operating Life	100,000
Contact rating	50mA@12V DC.
Insulation resistance	1011 $\Omega$ min.
Contact resistance	100m $\Omega$ max. initial.
Dielectric Strength	250 V AC(1mm)
Travel	0.2 $\pm$ 0.1mm
Storage Temperature	-30 $^{\circ}$ C to 85 $^{\circ}$ C

### Mechanical

ITEM	DESCRIPTION	MATERIAL	QTY	FINISH/COLOR
E	Button	PPA	1	Black
D	COVER	Brass	1	Cleaning
C	DOME	Stainless Steel	1	Plated Ag
B	HOUSING	PPA	1	Black
A	PIN	PHOSPHOR BRONZE	1	Plated Ag

Type	Operatin g Force (gf)	Heiht mm	Button	Leads Shape (G, J, T)	Ground pin (0, 1)	Pegs Option (0, 1)	
YTS1R003	2	250 $\pm$ 50	Q	15.0	B (BLACK)	G	0 (None)
			P	13.0			
			O	12.0			
			N	11.0			
			M	10.0			
			L	9.0			
			K	8.5			
			J	8.0			
			H	7.5			
			G	7.0			
			F	6.5			
			E	6.0			
			YTS1R003	1			
C	5.0						
B	4.5						
A	4.3						
A	4.3						

X. $\pm 0.50$	X. $^{\circ} \pm 2^{\circ}$	UNITS mm
.X $\pm 0.30$	.X $^{\circ} \pm 1^{\circ}$	
.XX $\pm 0.10$	.XX $^{\circ} \pm 0.5^{\circ}$	MAT'L
.XXX $\pm 0.05$		FINISH
THESE DRAWINGS AND SPECIFICATIONS ARE THE PROPERTY OF YIYUAN TECHNOLOGY CO.,LTD AND SHALL NOT BE REPRODUCED, COPIED OR USED IN ANY MANNER WITHOUT THE PRIOR WRITTEN CONSENT OF YIYUAN TECHNOLOGY CO.,LTD		Q' TY



深圳市怡远科技有限公司  
 SHENZHEN YIYUAN TECHNOLOGY CO., LTD

PART NO. YTS1R003	TITLE: TACTILE SWITCH
APPD: ROGER	DWG NO.: YTS1R003
CHKD: ROC	
DR: BILLY WANG 2020/08/21	

SCALE	SHEET	REV.
1/1	1/1	A1