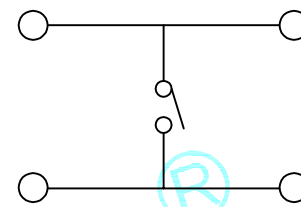
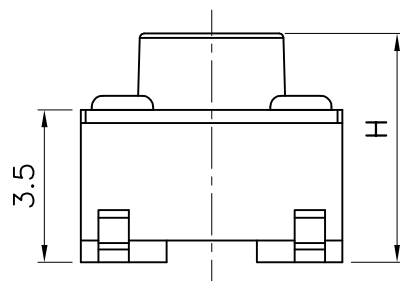
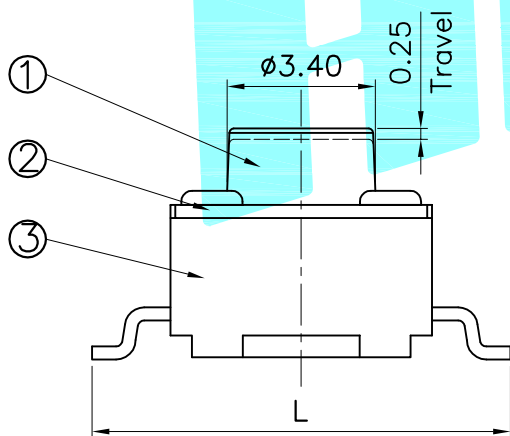


PCB Layout(Pattern side)



Circuit Diagram

NO.2	
PART NO	vigor
1	90±30
2	130±30
3	180±30
4	250±30
5	350±50

NO.3	
PART NO	MATERIAL/QTY
S	SUS/1PC
C	C5210/1PC
D	SUS/2PCS
F	C5210/2PCS

NO.4		
PART NO	L	L1
A	8	10
B	8.5	11
C	9	11
D	9.5	12
E	10	12

NO.5-NO.6	
PART NO	NOTE
01~99	SERIAL NUMBER

NO.1			
PART NO	H	PART NO	H
A	4.3	Q	12
B	4.5	R	12.5
C	5	S	13
D	5.5	T	13.5
E	6	U	14
F	6.5	V	15
G	7	W	16
H	7.5	X	17
I	8	Y	18
J	8.5	Z	19
K	9	1	15.5
L	9.5	2	16.5
M	10	3	17.5
N	10.5	4	22
O	11	5	23
P	11.5	6	20

⑤	Terminal	4	Brass(0.30t)	Plating silver	_____	
④	Contact	1	F.Ag/SUS	_____	_____	
③	Base	1	Nylon	Black	_____	
②	Cover	1	SPCC	Plating Nickel	_____	
①	Keystoke	1	Nylon	Black	_____	
ITEM	PART NAME	TER'NO.	QTY.	MATERIAL	FINISHING	REMARK

APPROVALS		DATE	HROELECTRONICS CO.,LTD			
DRAWN	SUNNY	2020.7.7	ELECTRONICS CO.,LTD			
CHECKED			TITLE:	TACT SWITCHS		
APPROVALS			PART NO.	K2-1102SP-□□□□-□□		
TOLERANCES ARE	30~以上	±0.30	ANGLE	UNIT: mm	SCALE: 1:1	PROJ:
	10~30	±0.20				
	5~10	±0.15				
	~ 5	±0.10	±2'	DRAWING NO.		SHEET 1 OF 1

ECN NO.	REV.	DATE.	DESCRIPTION.	CHANGE.	CHECK.	APPRO.
	A		NEW			