

零件承認書

Approval Sheet

客戶名称: _____

产品料号: ZC-AN2400-12F05BBX-130

产品名称: 2.4G Antenna

(OD1.13 黑色线+I-PEX L=130MM)

供应商确认		
审核	制作人	日期
張禮波	楊興凱	2020.07.08

客戶簽署		
品保	工程	采购

东莞市众驰电子有限公司

Index:


- 1. Revision History / Page 2**
- 2. Specification / Page 3**
- 3. Characteristics and Reliability Test / Page 4**
- 4. Antenna - S Parameter Test Data / Page 5**
- 5. Antenna - Radiation Pattern Test Data / Page 6**
- 6. Mechanical and Packing Drawing / Page 7 ~ 8**

东莞市众驰电子有限公司

1. Revision History

Revision	Date	Change Notification	Description
1.0	2020.07.08	初版	

2. Specification

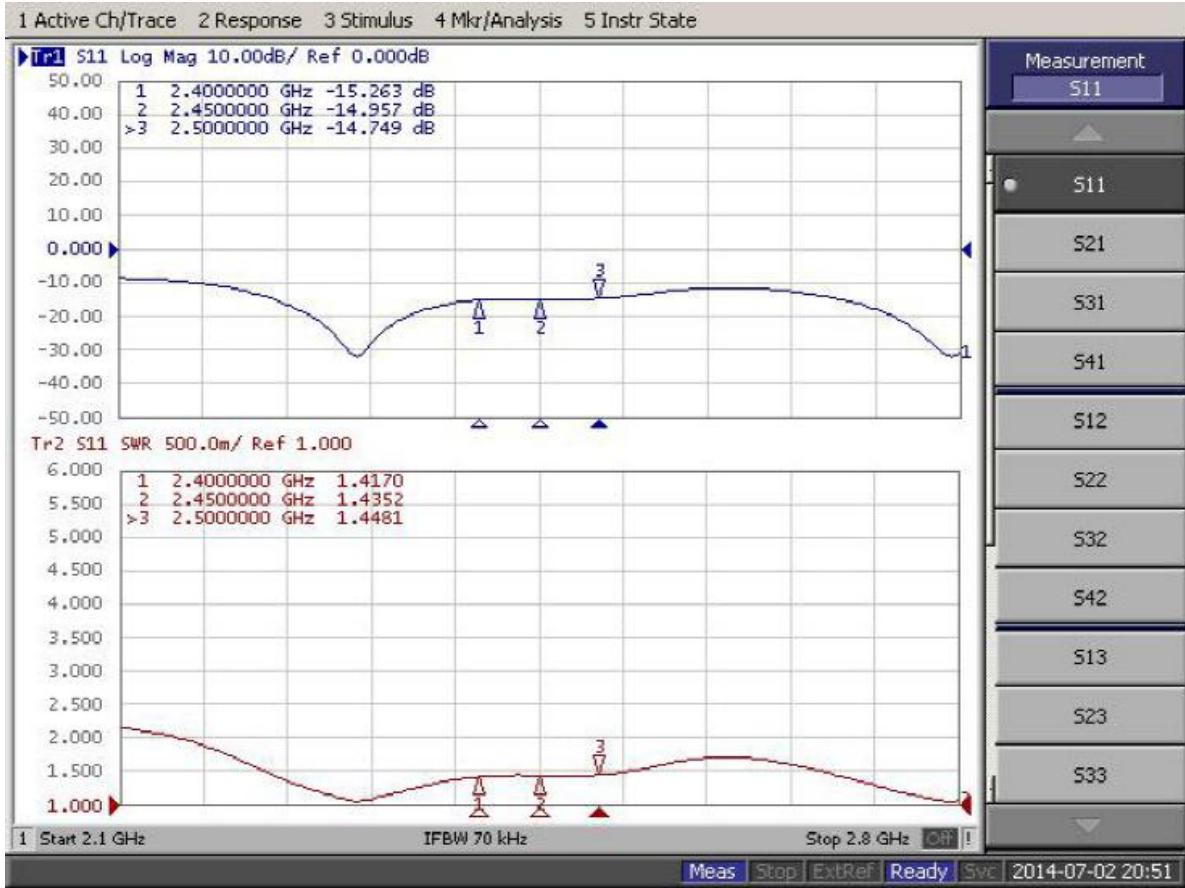
Sample Photo	
	
A. Electrical Characteristics	
Frequency	2400 ~ 2500 MHz
S.W.R.	<= 2.0 @ 2400 ~ 2500 MHz
Antenna Gain	5.0 +/- 0.7 dBi @ 2400 ~ 2500 MHz
Efficiency(%)	72 % @ 2400~2500 MHz
Radiation Pattern	Omni-Directional
Max Input Power	>= 2 W
Polarization	Linear
Impedance	50 Ohm
B. Material & Mechanical Characteristics	
Material of Radiator	SPRING
Material of Plastic	Body1: TPEE Body2: PC+PBT Body3: PC Body5: POM
Cable Type	OD1.13 Black
Connector Type	I-PEX
C. Environmental	
Operation Temperature	- 40 °C ~ + 65 °C
Storage Temperature	- 40 °C ~ + 80 °C
Antenna Color Storage life	< 2 year

东莞市众驰电子有限公司

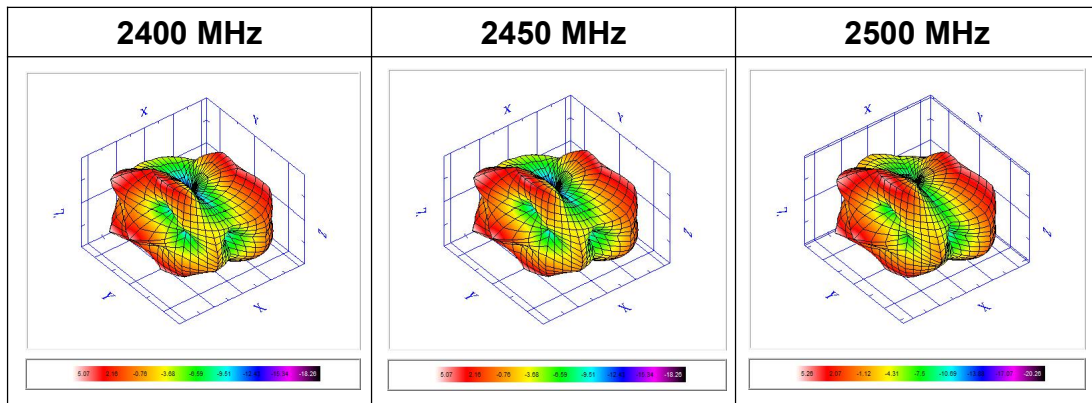
3. Characteristics and Reliability Test

Test Items		Test Condition and Procedure	Requirements
C1	S.W.R.	Set DUT on Network Analyzer; make individual calibration to test	Directive DUT specification
C2	Antenna Gain	Set DUT on Antenna Chamber; make individual calibration to test	Directive DUT specification
E1	Salt Spray	GB / T 2423 . 17- 93 Temp: 35°C; RH: >= 95%; NaCl solution: >= 5%; Time: 24 hours	After 2 Hours Recovery 1. No Visual Damage 2. Frequency Tol.<= 5%
E2	Humidity	GB / T 2423 . 4 - 93 Temp: 80°C / 12 H; -40°C / 12H RH: >= 90%; Time: 24 hours	After 2 Hours Recovery 1. No Visual Damage 2. Frequency Tol.<= 5%
E3	Thermal Shock	GB / T 2423 . 22 - 87 1 Cycle: - 40°C (30 minutes) to + 80°C (30 minutes) Cycles: 24	After 2 Hours Recovery 1. No Visual Damage 2. Frequency Tol.<= 5%
E4	Life (High Temp.)	GB / T 2423 . 2 - 89 Temp: 80°C; Time: 24 hours	After 2 Hours Recovery 1. No Visual Damage 2. Frequency Tol.<= 5%
R1	RoHS	With Reference to IEC 62321:2008 with flow chart	Directive RoHS 2011/65/EU
R2	PFOS	With Reference to USA EPA 3540C:1996 by LC/MS	Directive RoHS 2006/122/EC
R3	PFOA	With Reference to USA EPA 3540C:1996 by LC/MS	Directive RoHS 2006/122/EC

4. Antenna - S Parameter Test Data



5. Antenna - Radiation Pattern Test Data

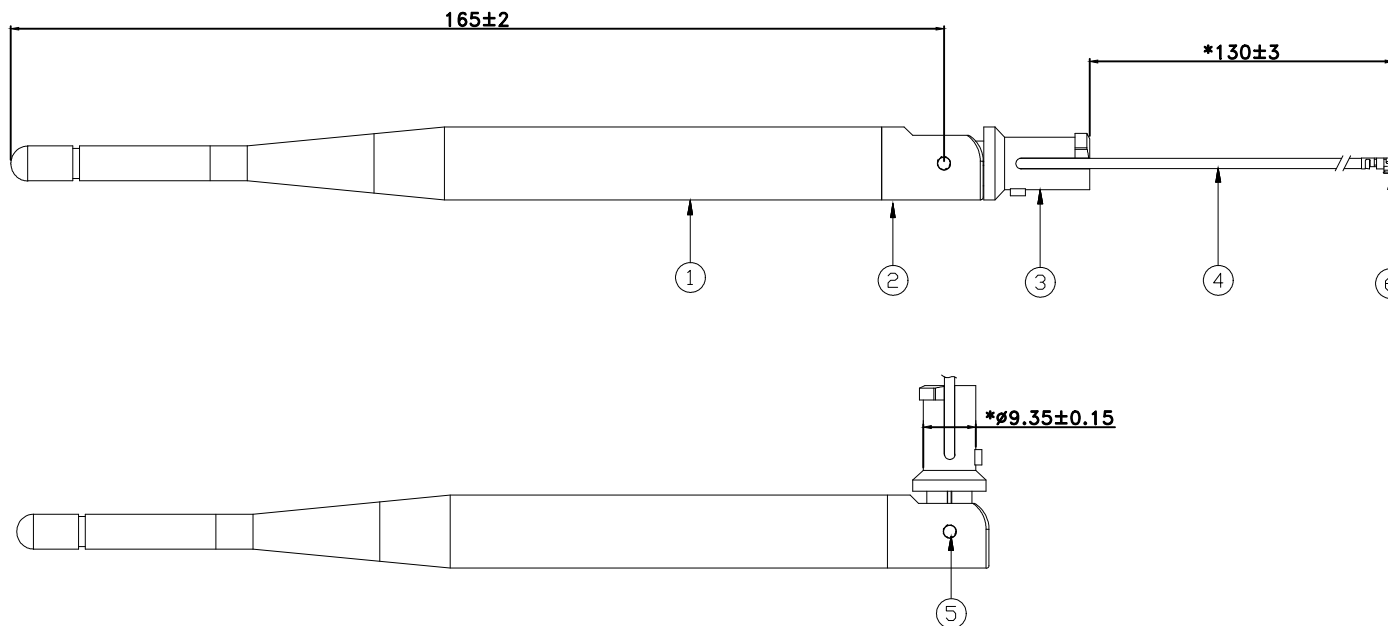


FEITUKEJI			
Frequency ID	1	2	4
Frequency (MHz)	2400	2450	2500
Tot. Rad. Pwr. (dBm)	-1.32	-1.66	-2.06
Peak EIRP (dBm)	4.08	4.15	4.33
Directivity (dBi)	5.4	5.8	6.4
Efficiency (%)	73.85	75.15	70.16

RoHS

Compatible

SIGN	DATE	DESCRIPTION	APPROVER
△			
△			
△			



Note:

1. Dimension: Take * is the important dimension
2. Tolerance: Unmarked tolerance refer to the standard tolerance please

6	CR-113	I-PEX		Mini CONN	1
5	Body 4	Hinge Pin	POM	2.3mm*5.3mm	2
4	CB-113BS	Cable		Φ1.13mm , Black	1
3	Body 3	基座	PC	Φ13.0mm*29.6mm*9.35mm	1
2	Body 2	下固	ABS	Φ13.0mm*28.3mm	1
1	Body 1	天线护套	TPEE	Φ13.0mm*153.0mm	1
No.	Part Number	Name	Material	Finish	Q'ty

东莞市众驰电子有限公司

TITLE:

PART NO.: ZC-A2400-12F05BBX-130

DWG NAME:

APP BY

CHK BY

RF BY

DES BY

UNITS: mm

SCALE: 1/1

REVISION: A

Tolerance

XX

XXX ±0.1

X ±1

ZLB
2020.07.08

8

產品包裝規範

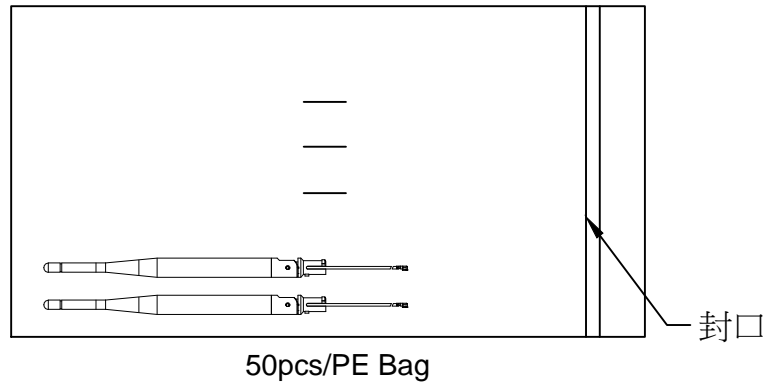
PACKING CRITERION

Date: 2020.07.08

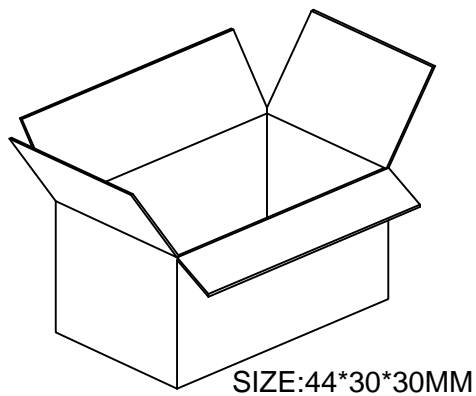
Page: 1 of 1

Part Number : ZC-A2400-12F05BBX-130	Revision : A
Name: 2.4GHz Antenna	Customer : ALL

1. Enter PE Bag ◦

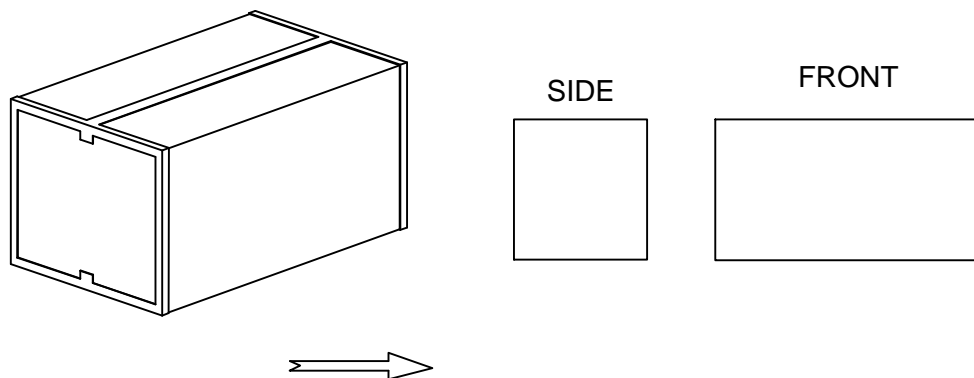


2. PACKING ◦



3. SEALING ◦

1000pcs/Carton



APPROVED BY : WWC

CHECKED BY : YXK

DESIGNED BY : ZLB