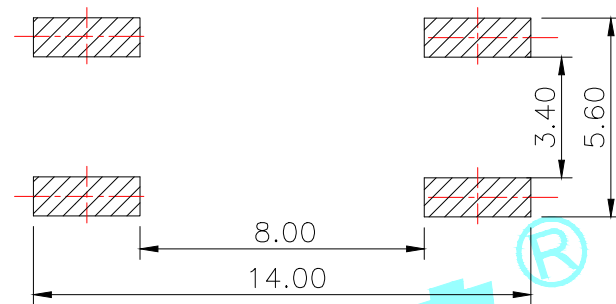
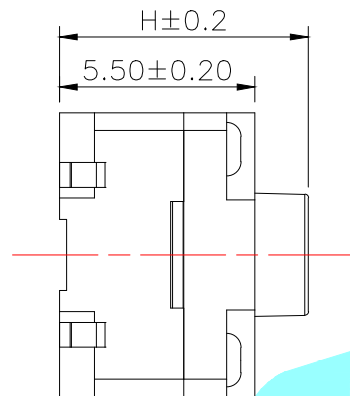
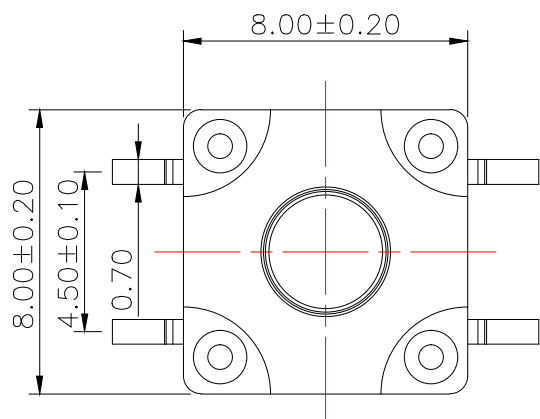
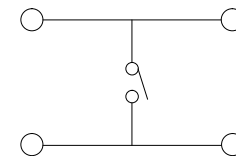


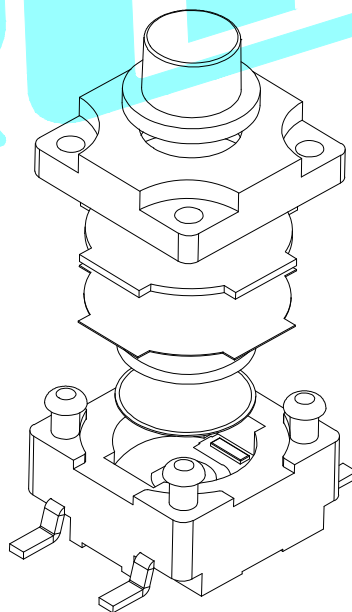
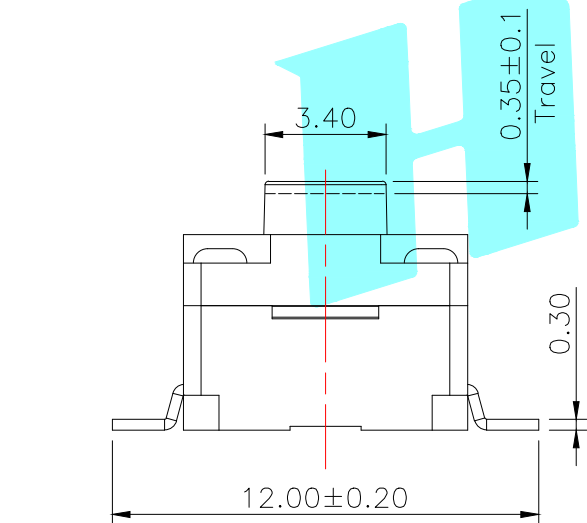
ROHS



PCB Layout(Pattern side)



Circuit Diagram



NO.1	
PART NO	H
F	6.5
G	7
H	7.5
I	8
J	8.5
K	9
L	9.5
M	10
N	10.5
O	11
P	11.5
Q	12

NO.2-NO.3	
PART NO	NOTE
01~99	SERIAL NUMBER

NOTE:  
 Rating: DC 12V 50mA  
 Forcel: 250±40gf  
 Life: 100,000 Cycles  
 Waterproof: IEC IP67

ITEM	PART NAME	TER'NO.	QTY.	MATERIAL	FINISHING	REMARK
⑧	Dust Cover	—	1	PI	Yellow	—
⑦	Gasket	—	1	PPA	Black	—
⑥	Waterproof Silicone	—	1	Silica gel	Black	—
⑤	Terminal	—	4	Brass(0.3t)	Plating silver	—
④	Contact	—	1	F.Ag/SUS	—	—
③	Base	—	1	PPA	Black	—
②	Cover	—	1	PPA	Black	—
①	Keystoke	—	1	PPA	Black	—

APPROVALS		DATE	HRO 韓泰 ELECTRONICS CO.,LTD			
DRAWN	LIUCAN	2021.6.1	TITLE:	TACT SWITCHS		
CHECKED			PART NO.	K2-1843SP-□4SW-□□		
APPROVALS			UNIT: mm	SCALE: 1:1	PROJ:	
TOLERANCES ARE	30~以上 ±0.30	10~30 ±0.20	ANGLE	DRAWING NO.		SHEET 1 OF 1
	5~10 ±0.15	~ 5 ±0.10	±2'			

ECN NO.	REV.	DATE.	DESCRIPTION.	CHANGE.	CHECK.	APPRO.
	A		NEW			