

NOTES:

1. BURR ALLOWANCE: 0.038MAX.
2. MINIMUM PUSHOUT FORCE: 2.22N.
3. -TR PACKAGING NOT AVAILABLE ON THE 100 POSITION;
- TY PACKAGING ONLY AVAILABLE ON-100 POSITION.
4. INSULATOR: LCP, COLOR: BLACK.
5. TERMINAL: Phosphor Bronze.
6. CURRENT RATING: 2.9 A PER PIN (2 PINS POWERED).
7. OPERATING TEMP RANGE: -55°C TO + 125°C.
8. VOLTAGE RATING: 235 VAC/330 VDC

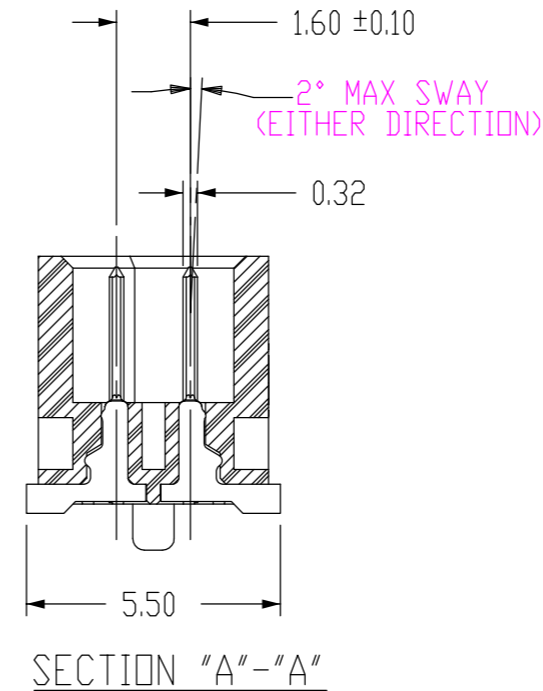
84TEM08-XXXVXXGXXT

- 010: 2*5PIN
- 020: 2*10PIN
- 030: 2*15PIN
- 040: 2*20PIN
- 050: 2*25PIN
- 060: 2*30PIN
- 070: 2*35PIN
- 080: 2*40PIN
- 090: 2*45PIN
- 100: 2*50PIN

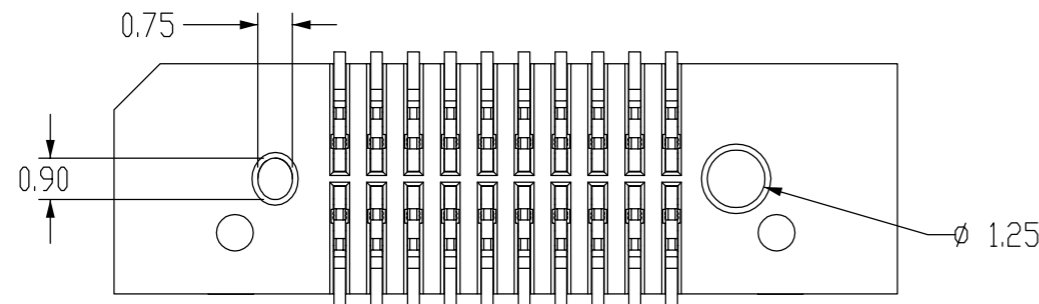
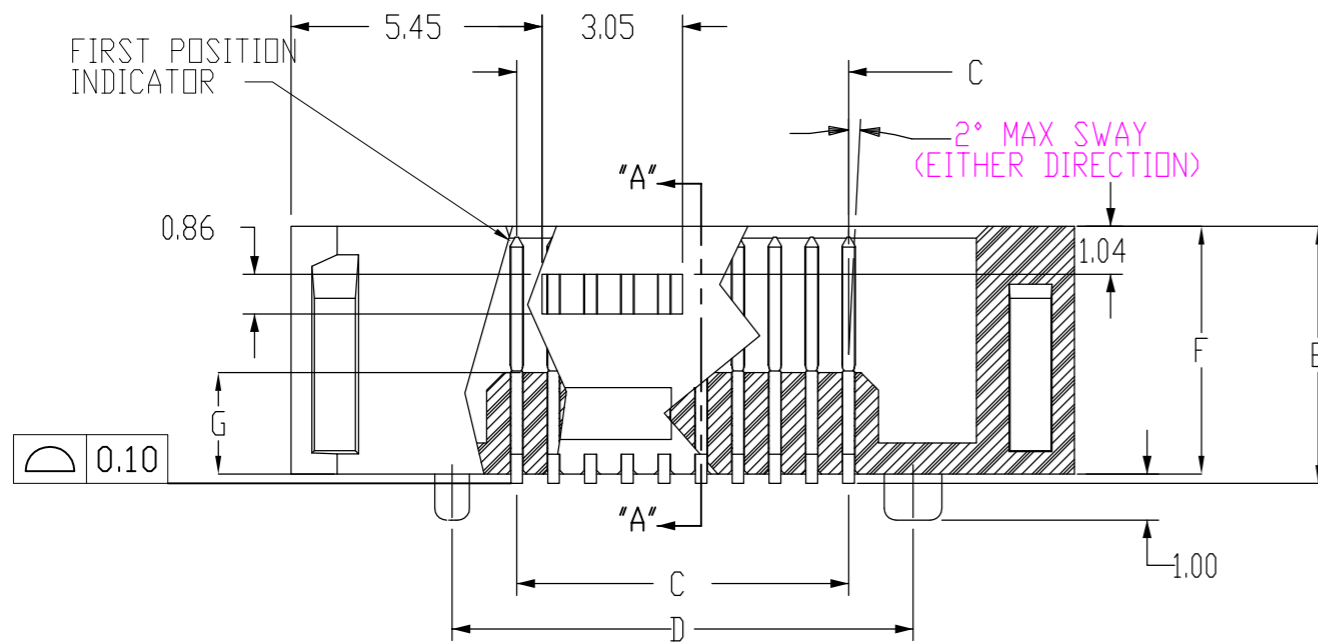
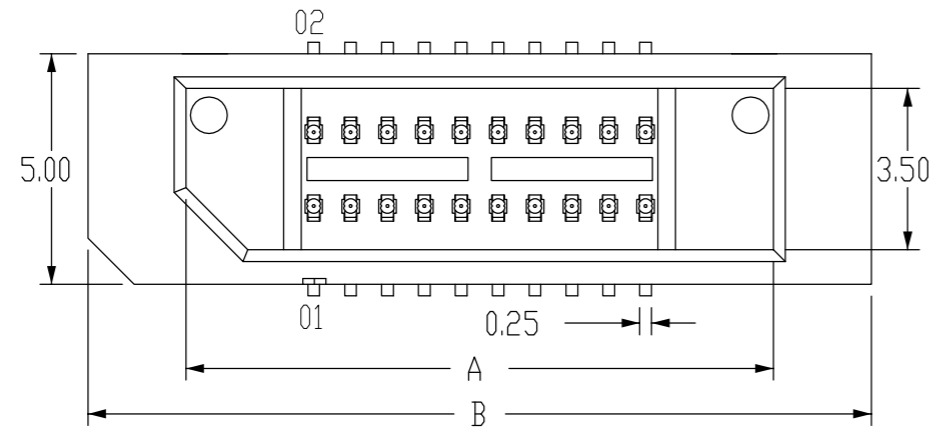
GXX: GOLD FLASH
G03: Au3U"/TIN
G10: Au10U"/TIN
G30: Au30U"/TIN

STACK HEIGHT
V03: 6MM
V04: 7MM
V07: 10MM

POS	A	B	C	D
10	9.00	13.00	3.20	6.00
20	13.00	17.00	7.20	10.00
30	17.00	21.00	11.20	14.00
40	21.00	25.00	15.20	18.00
50	25.00	29.00	19.20	22.00
60	29.00	33.00	23.20	26.00
70	33.00	37.00	27.20	30.00
80	37.00	41.00	31.20	34.00
90	41.00	45.00	35.20	38.00
100	45.00	49.00	39.20	42.00



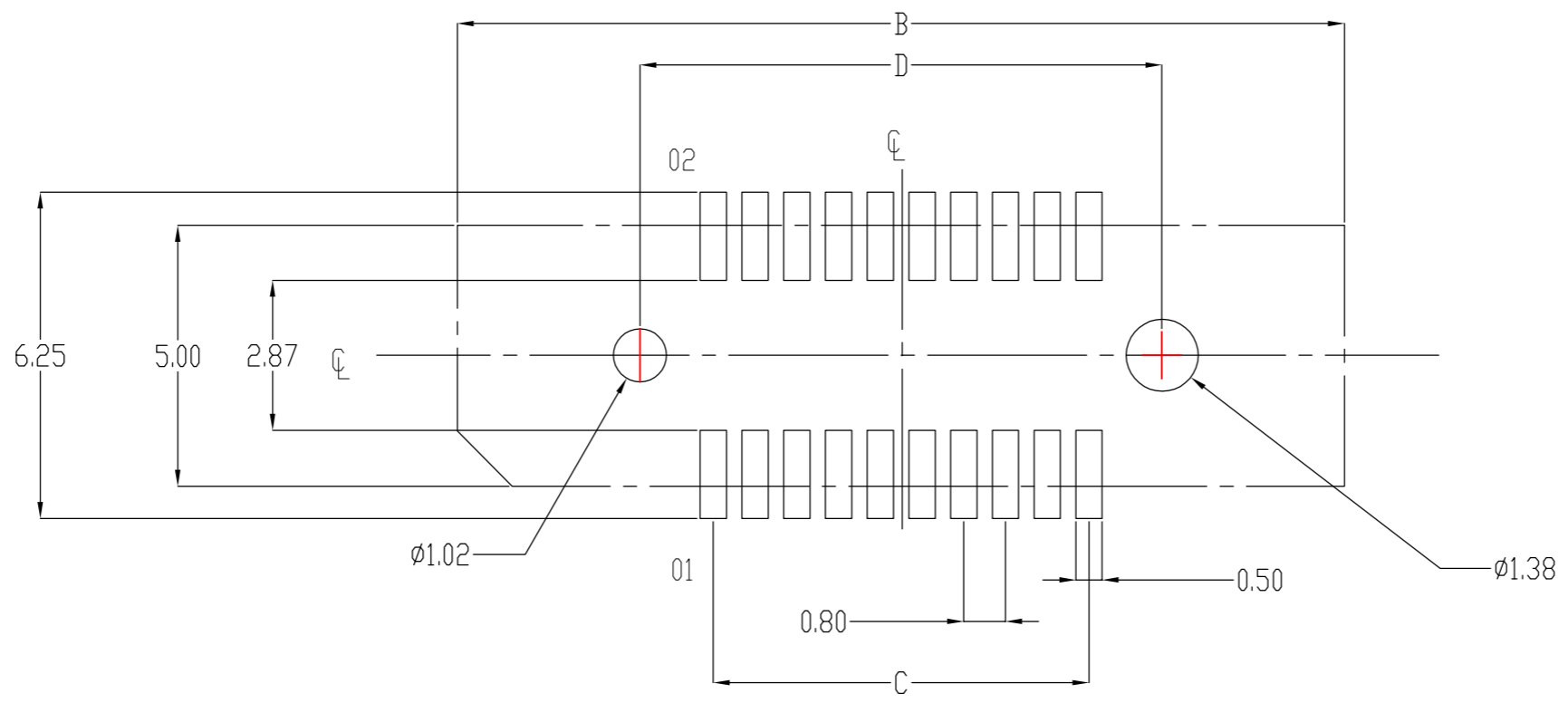
STACK HEIGHT	E	F	G
V03	5.61	5.375	2.20
V04	6.61	6.375	3.20
V07	9.61	9.375	6.20



REV	DATE	MODIFICATION DESCRIPTION	CHANGE	APPROVE	OPERATION	DRAW	DATE	SCALE	FIT
A0	20200426	NEW	Bee	Andy	OPERATION	Bee	20200426	SCALE	FIT
					X.X	Jensen	20191226	UNIT	mm
					X.XX	Jack	20191226	SIZE	A4
					X.XXX	Andy	20191226	SHEET	1/2
					Angle			PROJ.	◎ ◁
					DIM			DWG.No.	
					TOL				

SIGNAL 鑫格诺电子(东莞)有限公司
Specializing in the production of connectors and wiring harness products
SIGNAL ELECTRONICS(DONGGUAN) CO., LTD.
TEL: 0769-82894469 FAX: 0769-82894469

PART NO. 84TEM08-XXXVXXGXXT
TITLE: 0.8mm TIGER EYE MICRO TERMINAL



PCB LAYOUT

					OPERATION	DRAW	Bee	20200426	SCALE	FIT	SIGNAL 鑫格诺电子(东莞)有限公司 Specializing in the production of connectors and wiring harness products SIGNAL ELECTRONICS(DONGGUAN) CO., LTD. TEL:0769-82894469 FAX:0769-82894469	
					X.X ±0.10	DESIGN	Jensen	20191226	UNIT	mm		
					X.XX ±0.05	CHECK	Jack	20191226	SIZE	A4	PART NO.	84TEM08-XXXVXXGXXT
A0	20200426	NEW	Bee	Andy	X.XXX ±0.02	APPROVE	Andy	20191226	SHEET	2/2	TITLE:	0.8mm TIGER EYE MICRO TERMINAL
REV	DATE	MODIFICATION DESCRIPTION	CHANGE	APPROVE	Angle ±3°				PROJ.	☉	DWG.No.	
					DIM TOL							