

# CRYSTAL OSCILLATOR

**SERIES 6N, SEAM SEALED CERAMIC 7.0X5.0MM SURFACE MOUNT PACKAGE**

深圳市晶科鑫实业有限公司

Shenzhen Crystal Technology Industrial Co., Ltd

## APPROVAL SHEET

|                |  |
|----------------|--|
| CUSTOMER P/N:  |  |
| TYPE:          | SMD CRYSTAL  |
| DESCRIPTION:   | SMD7050 OSC 3,579545MHZ 5.0V LVC MOS -40~85°C  |
| P N/ SJK:      | 6N03579AG50YC  |
| ENVIRONMENTAL: | <input checked="" type="checkbox"/> RoHS <input checked="" type="checkbox"/> REACH <input checked="" type="checkbox"/> HF <input type="checkbox"/> PAHS <input type="checkbox"/> other |
| REVISION:      | A1    2017-5-10  |
| MSL:           | Levels 1   |

| SIGNATURE |       |         |  |       |         |
|-----------|-------|---------|--|-------|---------|
| SUPPLIER  |       |         | CUSTOMER   |       |         |
| Issue     | Check | Approve | QA   | Check | Approve |
|           |       |         |  |       |         |
| SJK       |       |         | Signature  |       |         |
| FAE_EMAIL |       |         | Date   |       |         |
| Date      |       |         | Approve: <input type="checkbox"/> accept <input type="checkbox"/> unaccepted |       |         |
| Note:     |       |         |  |       |         |

# CRYSTAL OSCILLATOR

## SERIES 6N, SEAM SEALED CERAMIC 7.0X5.0MM SURFACE MOUNT PACKAGE

### 1. ELECTRICAL SPECIFICATIONS

#### Standard atmospheric conditions

Unless otherwise specified, the standard range of atmospheric conditions for making measurement and tests are as follow:

Ambient temperature : 25±5°C

Relative humidity : 40%~70%

If there is any doubt about the results, measurement shall be made within the following limits:

Ambient temperature : 25±3°C

Relative humidity : 40%~70%

#### Measure equipment

Electrical characteristics measured by MD 37WX-05M or equivalent.

#### Crystal cutting type

The crystal is using AT CUT (thickness shear mode).

|    | Parameters                |                                  | SYM   | Electrical Spec. |      |         |         | Notes             |
|----|---------------------------|----------------------------------|-------|------------------|------|---------|---------|-------------------|
|    |                           |                                  |       | MIN              | TYPE | MAX     | UNITS   |                   |
| 1  | Nominal Frequency         |                                  |       | 3.579545         |      |         | MHZ     |                   |
| 2  | Frequency Stability       | AT 25°C                          |       | ±10              |      |         | PPM     |                   |
|    |                           | Over Operating Temperature range |       | ±20              |      |         | PPM     | -40~85°C          |
| 3  | Operating Temperature     |                                  | Topr  | -40              | 25   | 85      | °C      |                   |
| 4  | Storage Temperature       |                                  | Tstg  | -55              | ~    | 125     | °C      |                   |
| 5  | Supply Voltage            |                                  | VDD   | 5.0 / ±10%       |      |         | V       |                   |
| 6  | Input Current             |                                  | Icc   |                  |      | 5       | mA      |                   |
| 7  | Enable Control            |                                  |       | Yes              |      |         |         | Pad1              |
| 8  | Output Load : CMOS        |                                  | CL    | 15               |      |         | pF      |                   |
| 9  | Output Voltage High       |                                  | VoH   | 90% Vdd          |      |         | V       |                   |
| 10 | Output Voltage Low        |                                  | VoL   |                  |      | 10% Vdd | V       |                   |
| 11 | Rise Time                 |                                  | Tr    |                  |      | 5       | ns      | 10%→ 90%VDD Level |
| 12 | Fall Time                 |                                  | Tf    |                  |      | 5       | ns      | 90%→ 10%VDD Level |
| 13 | Symmetry (Duty ratio)     |                                  | TH/T  | 45               | ~    | 55      | %       |                   |
| 14 | Start-up Time             |                                  | Tosc  |                  |      | 10      | ms      |                   |
| 15 | Enable Voltage High       |                                  | Vhi   | 70% Vdd          |      |         | V       |                   |
| 16 | Disable Voltage Low       |                                  | Vlo   |                  |      | 30% Vdd | V       |                   |
| 17 | Aging                     |                                  |       | ±3               |      |         | ppm/yr. | 1st. Year at 25°C |
| 18 | Output Disable Delay Time |                                  | T off |                  |      | 150     | us      |                   |
| 19 | Output Enable Delay Time  |                                  | T on  |                  |      | 150     | us      |                   |

Tel: 0755-88352810-837(Mr.huang) Fax: 0755-88353718 <http://www.g-crystal.com>

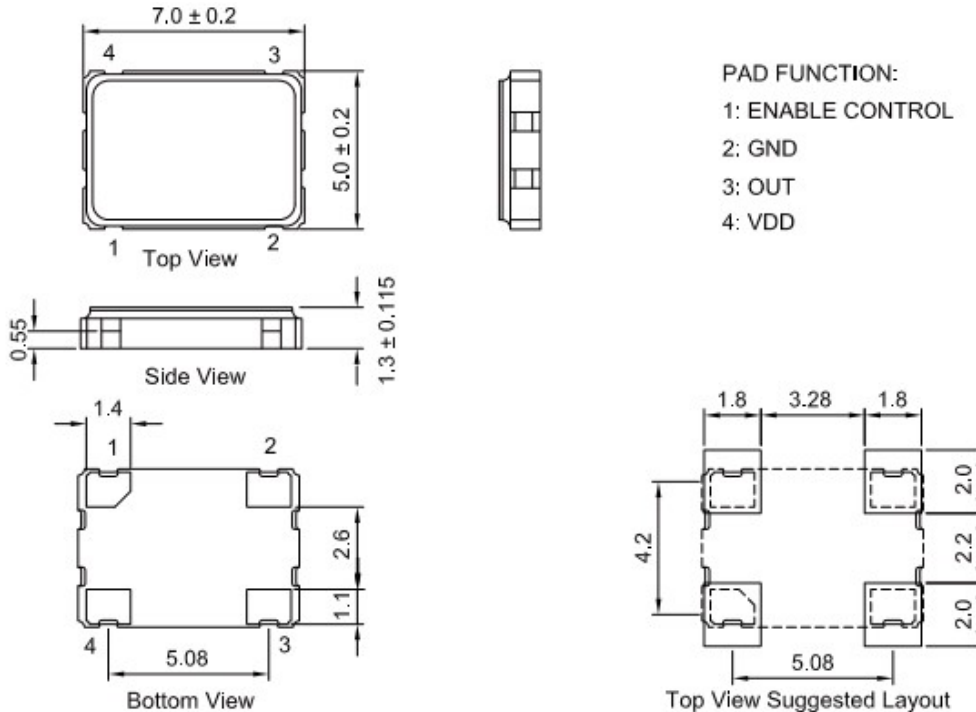
ADD: Room 1204~1206, Building 3C, TianAn Cloud Park Phase 1, Bantian, Longgang District, Shenzhen

# CRYSTAL OSCILLATOR

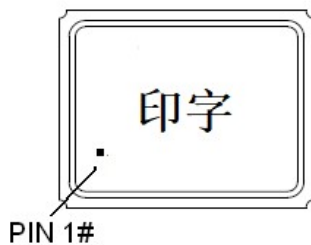
## SERIES 6N, SEAM SEALED CERAMIC 7.0X5.0MM SURFACE MOUNT PACKAGE

|    |                            |  |     |     |    |  |
|----|----------------------------|--|-----|-----|----|--|
| 20 | Phase Jitter (12KHZ~20MHZ) |  | 0.5 | 1.0 | ps |  |
|----|----------------------------|--|-----|-----|----|--|

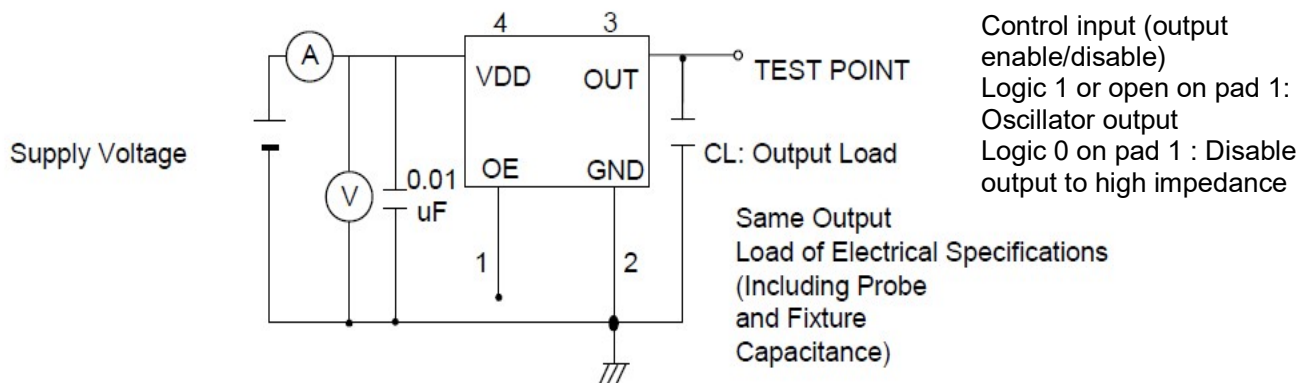
### 2. DIMENSIONS (Units :mm)



### 3. MARKING



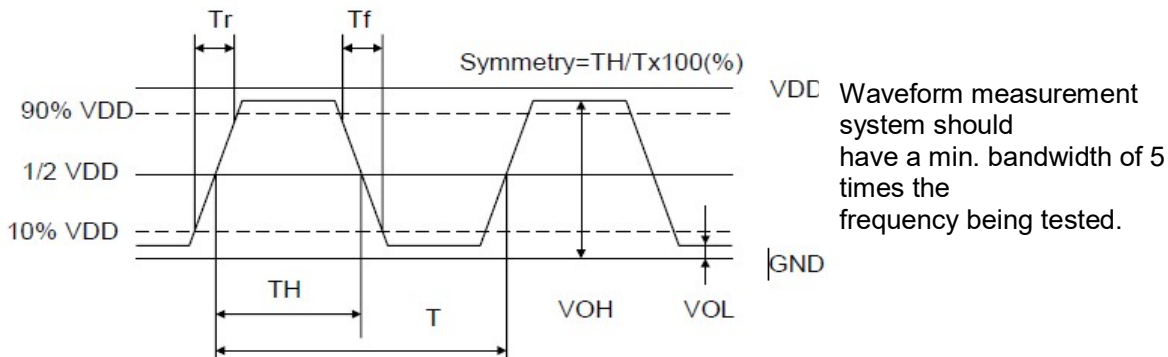
### 4. TEST CIRCUIT



# CRYSTAL OSCILLATOR

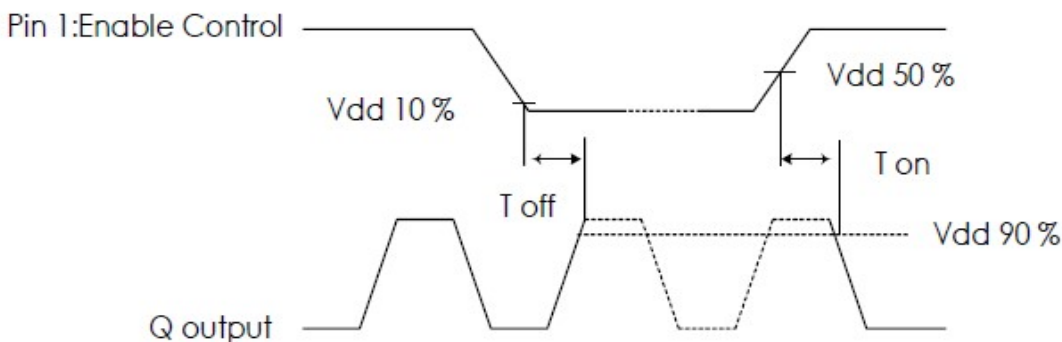
**SERIES 6N, SEAM SEALED CERAMIC 7.0X5.0MM SURFACE MOUNT PACKAGE**

## 5. WAVEFORM CONDITIONS

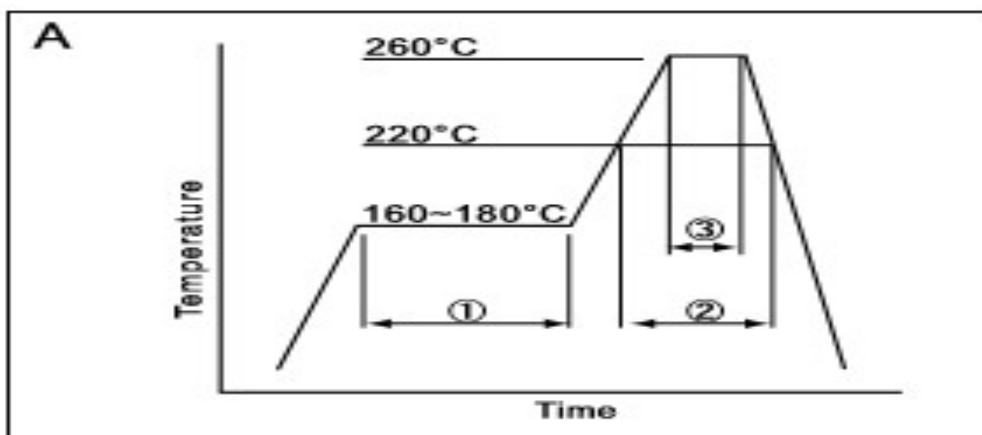


## 6. OUTPUT ENABLE / DISABLE DELAY

The following figure shows the oscillator timing during normal operation. Note that when the device is in standby, the oscillator stops. When standby is released, the oscillator starts and stable oscillator output occurs after a short delay.



## 7. SUGGESTED REFLOW PROFILE



|   |              |           |            |
|---|--------------|-----------|------------|
| ① | Preheat      | 160~180°C | 120sec.    |
| ② | Primary heat | 220°C     | 60sec.     |
| ③ | Peak         | 260°C     | 10sec. max |

Total time : 200 sec. Max / Solder melting point :220 °C

Tel: 0755-88352810-837(Mr.huang) Fax: 0755-88353718 <http://www.q-crystal.com>  
 ADD: Room 1204~1206, Building 3C, TianAn Cloud Park Phase 1, Bantian, Longgang District, Shenzhen

# CRYSTAL OSCILLATOR

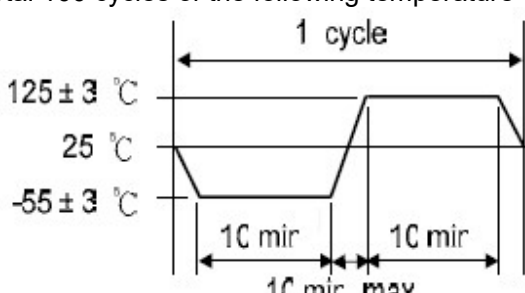
**SERIES 6N, SEAM SEALED CERAMIC 7.0X5.0MM SURFACE MOUNT PACKAGE**

## 8. RELIABILITY TEST SPECIFICATION

### 1. Mechanical Endurance

| No. | Test Item        | Test Methods  | REF. DOC     |
|-----|------------------|---|--------------|
| 1   | Drop Test        | 75 cm height, 3 times on concrete floor .   | JIS C6701    |
| 2   | Mechanical Shock | Device are shocked to half sine wave ( 1000 G ) three mutually perpendicular axes each 3 times. 0.5m sec. duration time                               | MIL-STD-202F |
| 3   | Vibration        | Frequency range 10 ~ 2000 Hz<br>Amplitude 1.52 mm/20G<br>Sweep time 20 minutes<br>Perpendicular axes each test time 4 Hrs<br>(Total test time 12 Hrs) | MIL-STD-883E |
| 4   | Gross Leak       | Standard Sample For Automatic Gross Leak Detector, Test Pressure: 2kg / cm <sup>2</sup>   | MIL-STD-883E |
| 5   | Fine Leak        | Helium Bombing 4.5 kgf / cm <sup>2</sup> for 2 Hrs  |              |
| 6   | Solderability    | Temperature 245 °C ± 5°C<br>Immersing depth 0.5 mm minimum<br>Immersion time 5 ± 1 seconds<br>Flux Rosin resin methyl alcohol solvent ( 1 : 4 )       | MIL-STD-883E |

### 2. Environmental Endurance

| No. | Test Item                    | Test Methods  | REF. DOC     |
|-----|------------------------------|---|--------------|
| 1   | Resistance To Soldering Heat | Pre-heat temperature 125 °C<br>Pre-heat time 60 ~ 120 sec.<br>Test temperature 260 ± 5 °C<br>Test time 10 ± 1 sec.                          | MIL-STD-202F |
| 2   | High Temp. Storage           | + 125 °C ± 3 °C for 1000 ± 12 Hrs   | MIL-STD-883E |
| 3   | Low Temp. Storage            | - 40 °C ± 3 °C for 1000 ± 12 Hrs  |              |
| 4   | Thermal Shock                | Total 100 cycles of the following temperature cycle<br> | MIL-STD-883E |
| 5   | Pressure Cooker Storage      | 121 ± 3°C , RH100% , 2 bar , 240 Hrs  | JIS C6701    |
| 6   | High Temp & Humidity         | 85°C ± 3°C, RH 85% , 1000 Hrs   | JIS C5023    |
| 备注  |                              |   |              |

Tel: 0755-88352810-837(Mr.huang) Fax: 0755-88353718 <http://www.g-crystal.com>  
 ADD: Room 1204~1206, Building 3C, TianAn Cloud Park Phase 1, Bantian, Longgang District, Shenzhen



# **CRYSTAL OSCILLATOR**

***SERIES 6N, SEAM SEALED CERAMIC 7.0X5.0MM SURFACE MOUNT PACKAGE***

---