



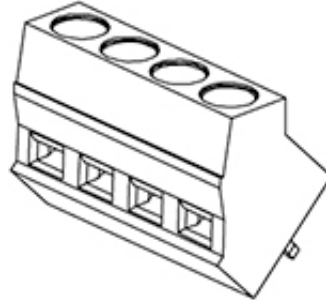
Part Number : [395434310](#)

Product Description : 5.00mm Pitch Eurostyle 45° Wire Entry Fixed Mount PCB Terminal Block, 10 Circuits

Series Number : 39543

Status : Active

Product Category : Terminal Blocks and Barrier Strip



Documents & Resources

Drawings

[Drawing 395434310_sd.pdf](#)

3D Models and Design Files

[3D Model 395434310_stp.zip](#)

Product Environment Compliance

Compliance

GADSL/IMDS	Not Relevant
China RoHS	Not Reviewed per SJ/T 11365-2006
EU ELV	Not Relevant
Low-Halogen Status	Not Reviewed per IEC 61249-2-21
REACH SVHC	Not Reviewed per D(2023)3788-DC (14 Jun 2023)
EU RoHS	Not Reviewed per EU 2015/863

Multiple Part Product Compliance Statements

- Eu RoHS
- REACH SVHC
- Low-Halogen

Multiple Part Industry Compliance Documents

- IPC 1752A Class C
- IPC 1752A Class D
- Molex Product Compliance Declaration
- IEC-62474
- chemSHERPA (xml)

Part Details

General

Status	Active
Category	Terminal Blocks and Barrier Strip
Series	39543
Description	5.00mm Pitch Eurostyle 45° Wire Entry Fixed Mount PCB Terminal Block, 10 Circuits
Application	N/A
Component Type	One Piece
Product Family	Eurostyle Terminal Blocks
Product Name	Eurostyle Fixed Mount
Type	Euro Block
UPC	822350543736

Agency

UL	E48521
----	--------

Electrical

Current - Maximum per Contact	10.0A
Voltage - Maximum	300V

Physical

Circuits (Loaded)	10
Entry Angle	45° Angle
Lock to Mating Part	None
Number of Rows	1
Orientation	45° Angle
Panel Mount	No
PC Tail Length	4.40mm
PCB Thickness - Recommended	3.40mm
Pitch - Mating Interface	5.00mm
Pitch - Termination Interface	5.00mm

Polarized to Mating Part	N/A
Stackable	No
Temperature Range - Operating	-40° to +105°C
Wire Size (AWG)	14, 16, 18, 20, 22
Wire Size mm ²	0.33-2.08

Solder Process Data

Max-Duration	5
Lead-Free Process Capability	WAVE
Max-Cycle	135
Max-Temp	260