

Data sheet | Item number: 2001-437
Jumper; from 1 to 7; insulated; light gray

www.wago.com/2001-437



i Picture differs from the item.

Color: —

Data

Electrical data

Ratings per IEC/EN

Nominal voltage (III/3)	800 V
Rated current	18 A

Subject to changes. Please also observe the further product documentation!

WAGO GmbH & Co. KG
Hansastr. 27
32423 Minden
Phone: +49571 887-0 | Fax: +49571 887-169
Email: info.de@wago.com | Web: www.wago.com

Do you have any questions about our products?
We are always happy to take your call at +49 (571) 887-44222.



Ex information

Rated current (Ex e II)	16 A
-------------------------	------

Physical data

Width	28.1 mm / 1.106 inches
Height	4.1 mm / 0.161 inches
Depth	19 mm / 0.748 inches
Jumper assignment	1-7

Material data

Note (material data)	Information on material specifications can be found here
----------------------	----------------------------------------------------------

Color	light gray
Fire load	0.015 MJ
Weight	1.6 g

Commercial data

Product Group	22 (TOPJOB S)
eCl@ss 10.0	27-14-11-40
eCl@ss 9.0	27-14-11-40
ETIM 8.0	EC000489
ETIM 7.0	EC000489
PU (SPU)	25 pcs
Packaging type	bag
Country of origin	DE
GTIN	4055143699662
Customs tariff number	85366990990

Environmental Product Compliance

RoHS Compliance Status	Compliant, No Exemption
------------------------	-------------------------

Approvals / Certificates

Declarations of conformity and manufacturer's declarations

Logo	Approval	Additional Approval Text	Certificate name
	Railway	-	Railway

Subject to changes. Please also observe the further product documentation!



WAGO GmbH & Co. KG

Ready

Downloads

Documentation

Bid Text

2001-437 X81 - Datei	2019 Feb 19	xml 2.6 kB	Download
-------------------------	-------------	---------------	----------

2001-437 doc - Datei	2017 Apr 27	doc 24.1 kB	Download
-------------------------	-------------	----------------	----------

Additional Information

		pdf 2.3 MB	Download
--	--	---------------	----------

CAD/CAE-Data

CAD data

2D/3D Models 2001-437		URL	Download
-----------------------	--	-----	----------

CAE data

EPLAN Data Portal 2001-437		URL	Download
----------------------------	--	-----	----------

ZUKEN Portal 2001-437		URL	Download
-----------------------	--	-----	----------

WSCAD Universe 2001-437		URL	Download
-------------------------	--	-----	----------

Asset Administration Shell

Asset Administration Shell 2001-437		URL	Download
-------------------------------------	--	-----	----------

Environmental Product Compliance

Compliance Search

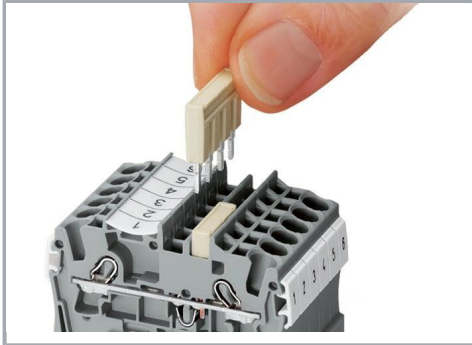
Environmental Product Compliance 2001-437		URL	Download
-------------------------------------------	--	-----	----------

Subject to changes. Please also observe the further product documentation!

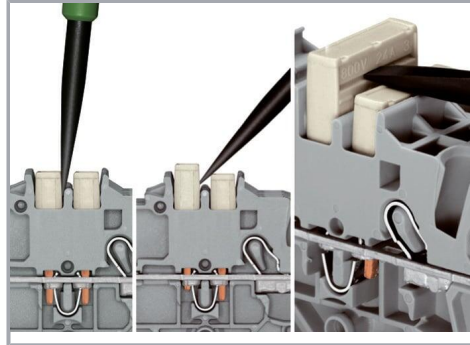
Jumper; from 1 to 7; insulated; light gray

Installation Notes

Commoning



Insert push-in type jumper bar and push down until it hits backstop.

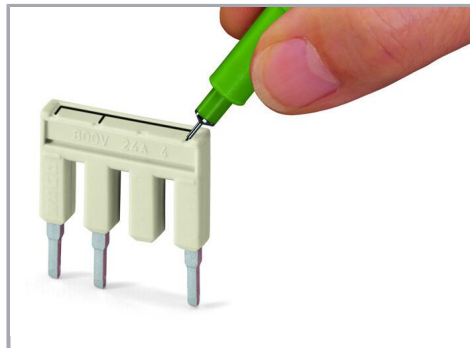


Removing a push-in type jumper bar:
Insert the operating tool between the jumper and partition wall of the dual jumper slots, then lift up the jumper.
Place the operating tool in the center of jumpers for up to five contacts (see above), or alternately on both sides for jumpers with more than five contacts.

Commoning



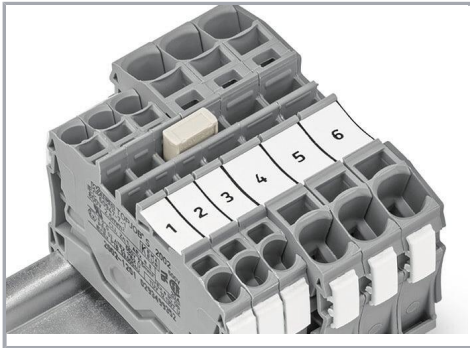
Custom jumpers are created by breaking and removing jumper contacts (2000, 2001, 2002, 2004 Series).



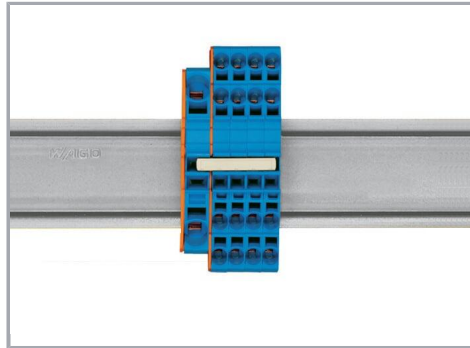
Marking with a felt-tip pen.

Commoning

Subject to changes. Please also observe the further product documentation!

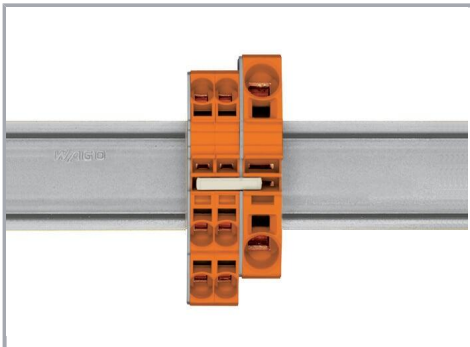


Stepping down via push-in type jumper bar.



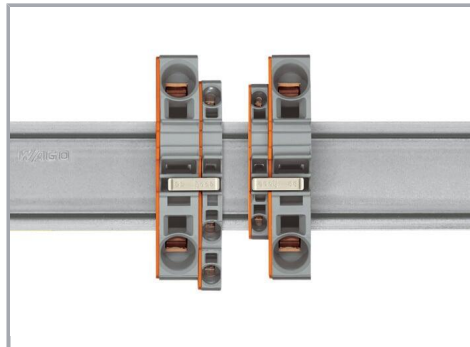
Stepping down via push-in type jumper bar:

Commoning via closed terminal side with end plate allows jumpering over two cross-section sizes, e.g., from 16 mm² (6 AWG) to 6 mm² (10 AWG) or from 6 mm² (10 AWG) to 2.5 mm² (14 AWG) (see illustration above).



Stepping down via push-in type jumper bar:

Commoning via open terminal side with end plate allows jumpering over two cross-section sizes for 16 mm² (6 AWG) and 10 mm² (8 AWG) and one cross-section size for 6/4/2.5 mm² (10 /12/14 AWG). An example: from 16 mm² (6 AWG) to 6 mm² (10 AWG) (see illustration above) or from 10 mm² (8 AWG) to 4 mm² (12 AWG).



Note:

The total current of the outgoing circuits must not exceed the nominal current of the step-down jumper/push-in type jumper bar.

Product family

TOPJOB® S

TOPJOB® S: In various industrial applications and modern building installations, WAGO's wide and versatile range of rail-mount terminal blocks provides more than just reliable electrical connections.

[Show all products from the family](#)

Subject to changes. Please also observe the further product documentation!