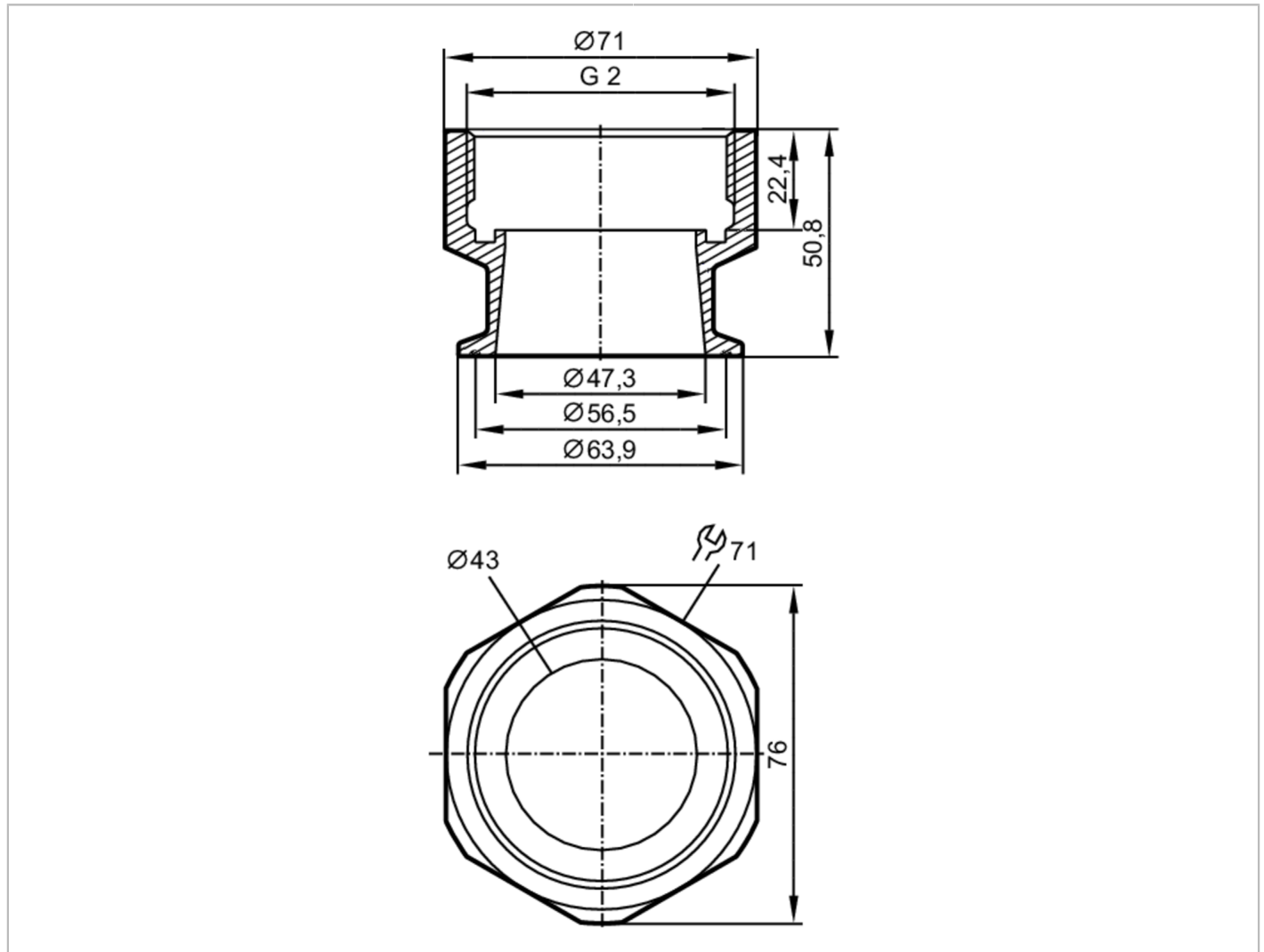


# US0043



## Mounting adapter for inline flow sensors

ADTR, SM, G2, 2" TC, SS



| Application        |                                 |
|--------------------|---------------------------------|
| Design             | for flow sensors Typ SM2, SM9   |
| Mechanical data    |                                 |
| Weight [g]         | 907.184                         |
| Material           | stainless steel (1.4404 / 316L) |
| Sensor connection  | G 2                             |
| Process connection | Tri-Clamp 2"                    |
| Accessories        |                                 |
| Items supplied     | O-rings: 2, FKM                 |
| Remarks            |                                 |
| Pack quantity      | 2 pcs.                          |