

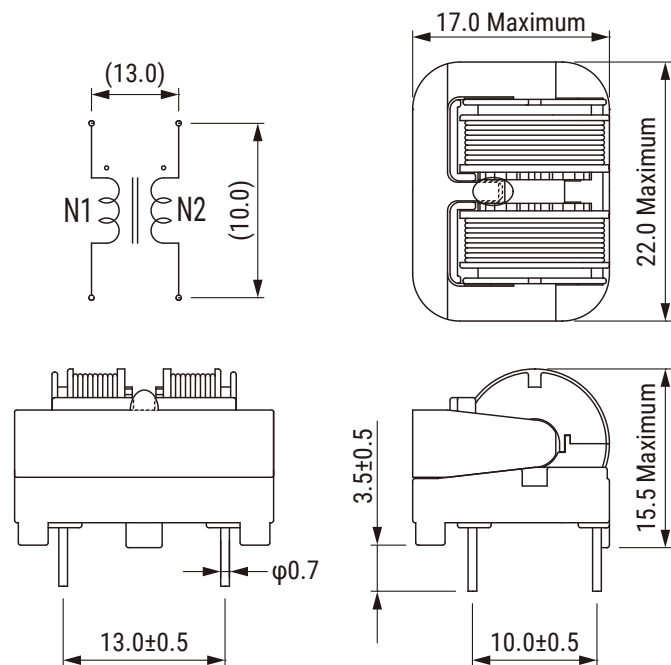
# Common Mode & Dual Mode Chokes Coils, 0.3 – 0.8 A Low Current Kit

## Sample Kit Contents

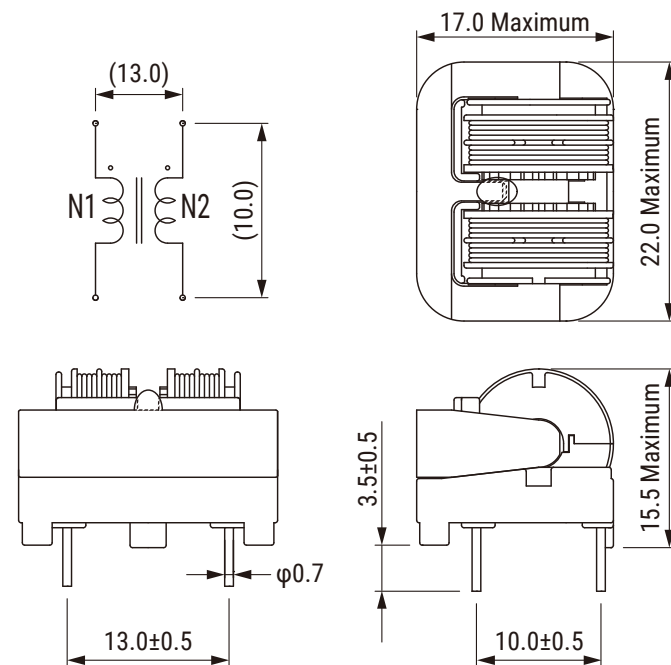
KEMET Part Number	Rated Voltage (VAC)	Rated Current (A)	Inductance (mH) at 10 kHz Minimum	DC Resistance/Line (Ω) Maximum	Temperature Range	Quantity	Description
SSRH7HS-M03925	250	0.30	92.50	3.18	-25/+120°C	1	SSRH7HS-M, Common Mode
SSRH7H-M031157	250	0.30	115.70	3.57	-25/+120°C	1	SSRH7H-M, Common Mode
SSR21NVS-M031500	250	0.30	150.00	2.70	-25/+120°C	1	SSR21NVS-M/NHS-M, Common Mode
SSR21NV-M031900	250	0.30	190.00	2.90	-25/+120°C	1	SSR21NV-M/NH-M, Common Mode
SSHB10HS-04265	250	0.40	26.50	2.45	-25/+130°C	1	SSHB10HS, Dual Mode
SSHB10H-04320	250	0.40	32.00	2.70	-25/+130°C	1	SSHB10H, Dual Mode
SSRH7HS-M04467	250	0.40	46.70	1.79	-25/+120°C	1	SSRH7HS-M, Common Mode
SSRH7H-M04596	250	0.40	59.60	2.02	-25/+120°C	1	SSRH7H-M, Common Mode
SSHB10HS-R04620	250	0.40	62.00	2.45	-25/+120°C	1	SSHB10HS, Dual Mode
SSR10VS-04745	250	0.40	74.50	2.50	-25/+120°C	1	SSR10VS/HS, Common Mode
SSHB10H-R04760	250	0.40	76.00	2.70	-25/+120°C	1	SSHB10H, Dual Mode
SSR10V-04910	250	0.40	91.00	2.80	-25/+120°C	1	SSR10V/H, Common Mode
SSR21NVS-M041350	250	0.40	135.00	2.00	-25/+120°C	1	SSR21NVS-M/NHS-M, Common Mode
SSR21NV-M041500	250	0.40	150.00	2.00	-25/+120°C	1	SSR21NV-M/NH-M, Common Mode
SSHB10HS-05177	250	0.50	17.70	1.55	-25/+130°C	1	SSHB10HS, Dual Mode
SSHB10H-05212	250	0.50	21.20	1.70	-25/+130°C	1	SSHB10H, Dual Mode
SSRH7HS-M05324	250	0.50	32.40	1.21	-25/+120°C	1	SSRH7HS-M, Common Mode
SSRH7H-M05408	250	0.50	40.80	1.36	-25/+120°C	1	SSRH7H-M, Common Mode
SSHB10HS-R05415	250	0.50	41.50	1.55	-25/+120°C	1	SSHB10HS, Dual Mode
SSR10VS-05495	250	0.50	49.50	1.60	-25/+120°C	1	SSR10VS/HS, Common Mode
SSHB10H-R05500	250	0.50	50.00	1.70	-25/+120°C	1	SSHB10H, Dual Mode
SSR10V-05595	250	0.50	59.50	1.70	-25/+120°C	1	SSR10V/H, Common Mode
SSR21NVS-M051200	250	0.50	120.00	1.85	-25/+120°C	1	SSR21NVS-M/NHS-M, Common Mode
SSR21NV-M051350	250	0.50	135.00	1.90	-25/+120°C	1	SSR21NV-M/NH-M, Common Mode
SSHB10HS-06140	250	0.60	14.00	1.17	-25/+130°C	1	SSHB10HS, Dual Mode
SSHB10H-06171	250	0.60	17.10	1.30	-25/+130°C	1	SSHB10H, Dual Mode
SSRH7HS-M06185	250	0.60	18.50	0.69	-25/+120°C	1	SSRH7HS-M, Common Mode
SSRH7H-M06237	250	0.60	23.70	0.78	-25/+120°C	1	SSRH7H-M, Common Mode
SSHB10HS-R06330	250	0.60	33.00	1.17	-25/+120°C	1	SSHB10HS, Dual Mode
SSR10VS-06385	250	0.60	38.50	1.20	-25/+120°C	1	SSR10VS/HS, Common Mode
SSHB10H-R06400	250	0.60	40.00	1.30	-25/+120°C	1	SSHB10H, Dual Mode
SSR10V-06475	250	0.60	47.50	1.30	-25/+120°C	1	SSR10V/H, Common Mode
SSR21NVS-M06890	250	0.60	89.00	1.35	-25/+120°C	1	SSR21NVS-M/NHS-M, Common Mode
SSR21NV-M061200	250	0.60	120.00	1.50	-25/+120°C	1	SSR21NV-M/NH-M, Common Mode
SSHB10HS-07099	250	0.70	9.90	0.81	-25/+130°C	1	SSHB10HS, Dual Mode
SSHB10H-07120	250	0.70	12.00	0.90	-25/+130°C	1	SSHB10H, Dual Mode
SSRH7HS-M07154	250	0.70	15.40	0.63	-25/+120°C	1	SSRH7HS-M, Common Mode
SSRH7H-M07196	250	0.70	19.60	0.71	-25/+120°C	1	SSRH7H-M, Common Mode
SSHB10HS-R07230	250	0.70	23.00	0.81	-25/+120°C	1	SSHB10HS, Dual Mode
SSR10VS-07265	250	0.70	26.50	0.85	-25/+120°C	1	SSR10VS/HS, Common Mode
SSHB10H-R07284	250	0.70	28.40	0.90	-25/+120°C	1	SSHB10H, Dual Mode
SSR10V-07330	250	0.70	33.00	0.90	-25/+120°C	1	SSR10V/H, Common Mode
SSR21NVS-M07680	250	0.70	68.00	0.95	-25/+120°C	1	SSR21NVS-M/NHS-M, Common Mode
SSR21NV-M07890	250	0.70	89.00	1.05	-25/+120°C	1	SSR21NV-M/NH-M, Common Mode
SSHB10HS-08068	250	0.80	6.80	0.58	-25/+130°C	1	SSHB10HS, Dual Mode
SSHB10H-08082	250	0.80	8.20	0.64	-25/+130°C	1	SSHB10H, Dual Mode
SSRH7HS-M08134	250	0.80	13.40	0.50	-25/+120°C	1	SSRH7HS-M, Common Mode
SSHB10HS-R08160	250	0.80	16.00	0.58	-25/+120°C	1	SSHB10HS, Dual Mode
SSRH7H-M08169	250	0.80	16.90	0.56	-25/+120°C	1	SSRH7H-M, Common Mode
SSR10VS-08180	250	0.80	18.00	0.60	-25/+120°C	1	SSR10VS/HS, Common Mode
SSHB10H-R08194	250	0.80	19.40	0.64	-25/+120°C	1	SSHB10H, Dual Mode
SSR10V-08220	250	0.80	22.00	0.65	-25/+120°C	1	SSR10V/H, Common Mode
SSR21NVS-M08475	250	0.80	47.50	0.68	-25/+120°C	1	SSR21NVS-M/NHS-M, Common Mode
SSR21NV-M08680	250	0.80	68.00	0.80	-25/+120°C	1	SSR21NV-M/NH-M, Common Mode
KEMET Part Number	Rated Voltage (VAC)	Rated Current (A)	Inductance (mH) at 10 kHz Minimum	DC Resistance/Line (Ω) Maximum	Temperature Range	Quantity	Description

## Dimensions – Millimeters (Inches)

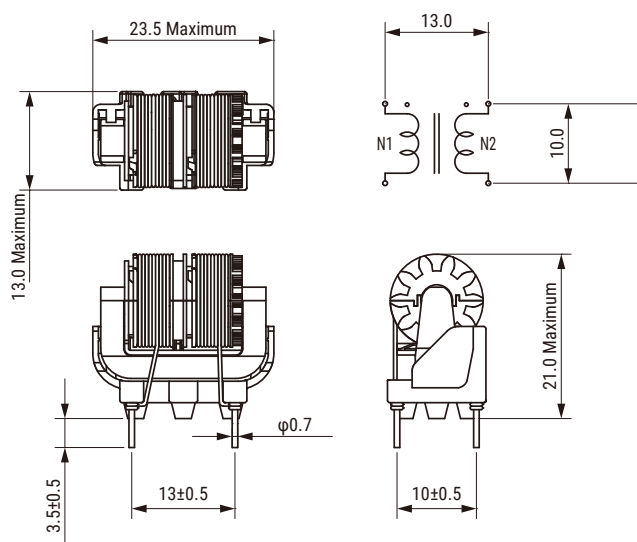
SSHB10H



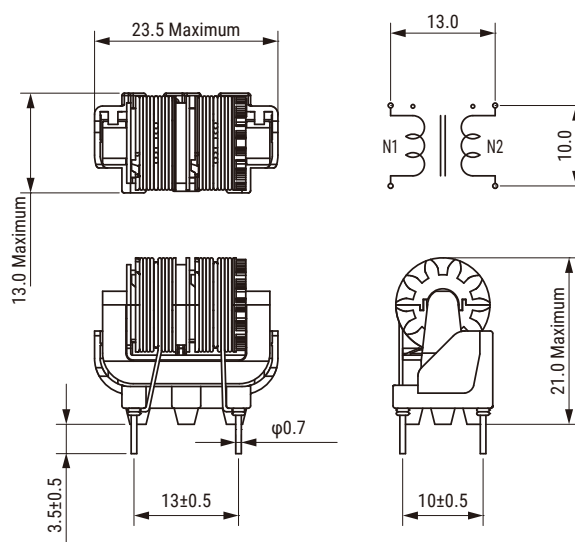
SSHB10HS



SSR10V

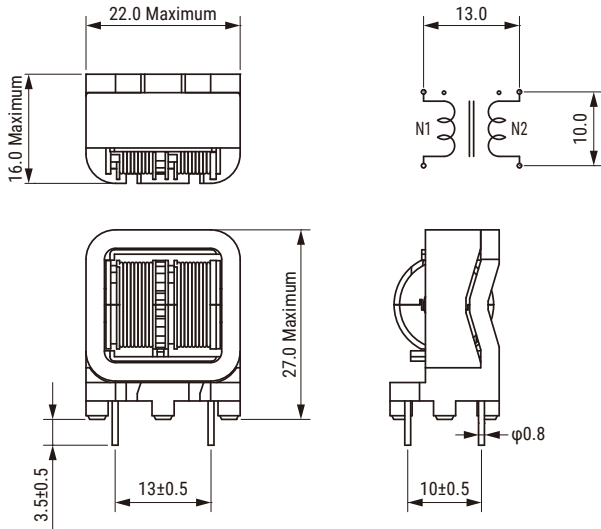


SSR10VS

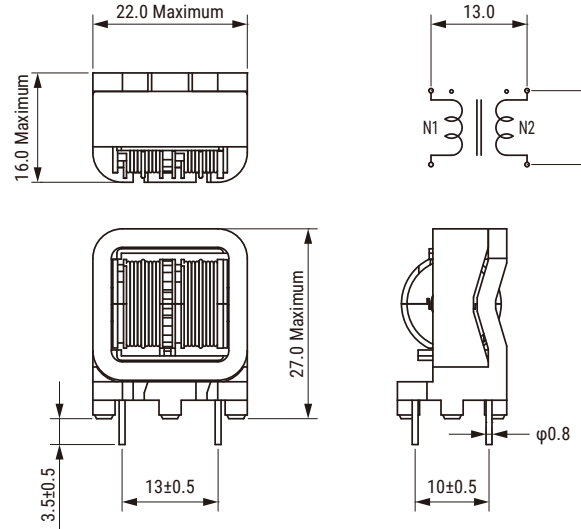


## Dimensions – Millimeters (Inches) cont.

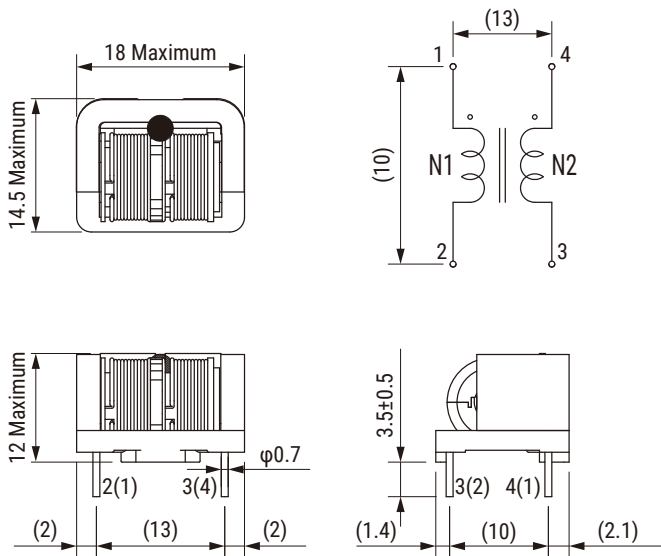
### SSR21NV-M



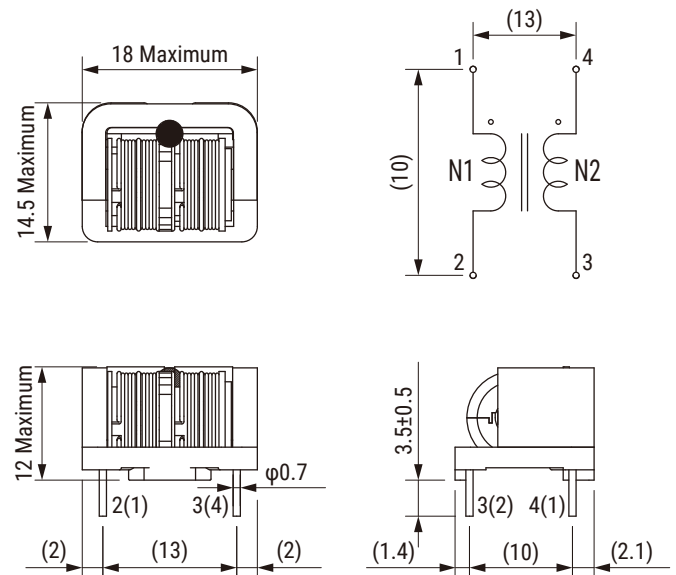
### SSR21NVS-M



### SSRH7H-M



### SSRH7HS-M



## KEMET Electronics Corporation Sales Offices

For a complete list of our global sales offices, please visit [www.kemet.com/sales](http://www.kemet.com/sales).

---

### Disclaimer

YAGEO Corporation and its affiliates do not recommend the use of commercial or automotive grade products for high reliability applications or manned space flight.

All product specifications, statements, information and data (collectively, the "Information") in this datasheet are subject to change. The customer is responsible for checking and verifying the extent to which the Information contained in this publication is applicable to an order at the time the order is placed. All Information given herein is believed to be accurate and reliable, but it is presented without guarantee, warranty, or responsibility of any kind, expressed or implied.

Statements of suitability for certain applications are based on KEMET Electronics Corporation's ("KEMET") knowledge of typical operating conditions for such applications, but are not intended to constitute – and KEMET specifically disclaims – any warranty concerning suitability for a specific customer application or use. The Information is intended for use only by customers who have the requisite experience and capability to determine the correct products for their application. Any technical advice inferred from this Information or otherwise provided by KEMET with reference to the use of KEMET's products is given gratis, and KEMET assumes no obligation or liability for the advice given or results obtained.

Although KEMET designs and manufactures its products to the most stringent quality and safety standards, given the current state of the art, isolated component failures may still occur. Accordingly, customer applications which require a high degree of reliability or safety should employ suitable designs or other safeguards (such as installation of protective circuitry or redundancies) in order to ensure that the failure of an electrical component does not result in a risk of personal injury or property damage.

Although all product-related warnings, cautions and notes must be observed, the customer should not assume that all safety measures are indicated or that other measures may not be required.

When providing KEMET products and technologies contained herein to other countries, the customer must abide by the procedures and provisions stipulated in all applicable export laws and regulations, including without limitation the International Traffic in Arms Regulations (ITAR), the US Export Administration Regulations (EAR) and the Japan Foreign Exchange and Foreign Trade Act.

---

*KEMET is a registered trademark of KEMET Electronics Corporation.*