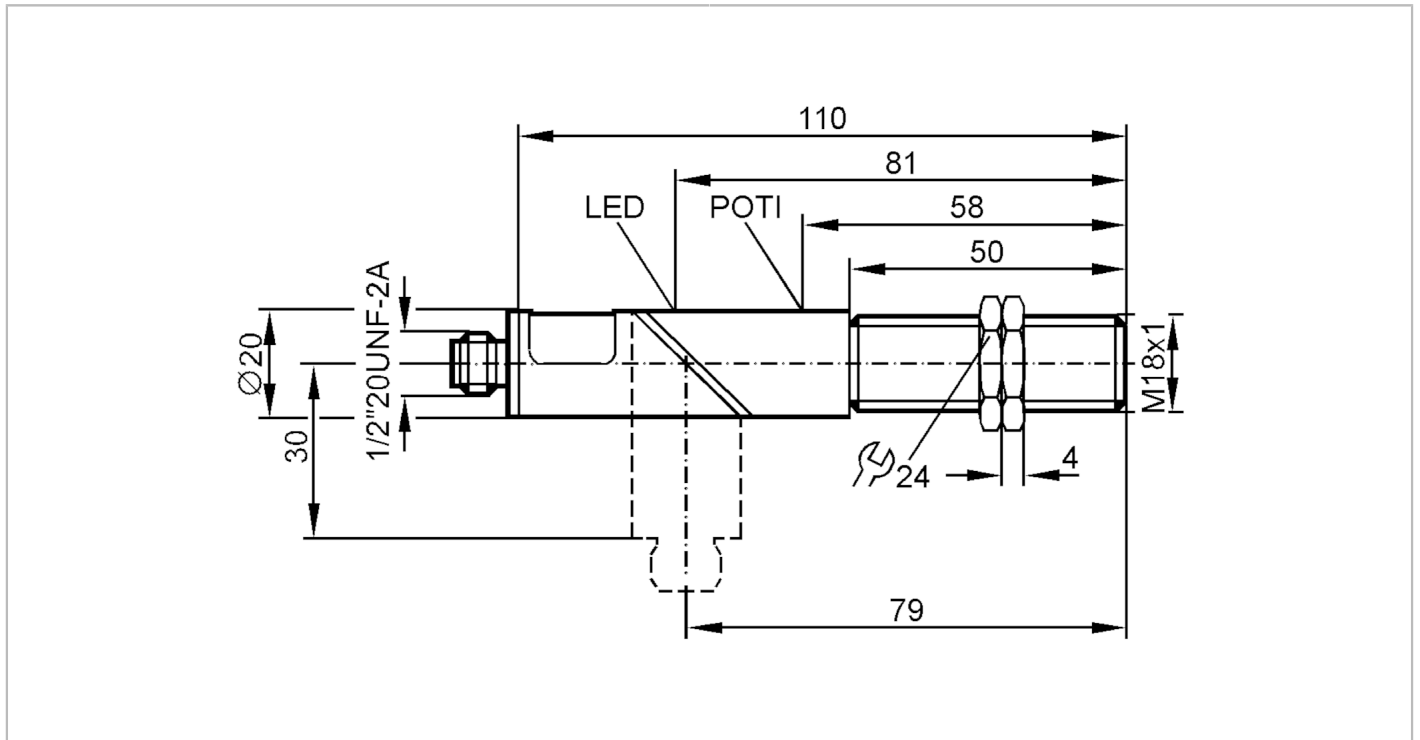


KG3500



Capacitive sensor

KGE2008-FBOA/LS100AK



Product characteristics

Output function		normally open / closed; (selectable)
Sensing range	[mm]	8
Housing		Threaded type
Dimensions	[mm]	M18 x 1

Electrical data

Operating voltage	[V]	20...250 AC/DC
Protection class		II
Reverse polarity protection		no

Outputs

Output function		normally open / closed; (selectable)
Max. voltage drop switching output DC	[V]	6
Max. voltage drop switching output AC	[V]	6
Minimum load current	[mA]	4
Max. leakage current	[mA]	2.0 (250 V AC) / 1.5 (110 V AC) / 0.8 (24 V DC)
Permanent current rating of switching output AC	[mA]	250; (350 (...50 °C))
Permanent current rating of switching output DC	[mA]	100
Short-time current rating of switching output	[mA]	2100; (50 ms / 1 Hz)
Switching frequency AC	[Hz]	25
Switching frequency DC	[Hz]	50
Short-circuit proof		no
Overload protection		no

KG3500



Capacitive sensor

KGE2008-FBOA/LS100AK

Monitoring range		
Sensing range	[mm]	8
Real sensing range Sr	[mm]	8 ± 10 %
Operating distance	[mm]	0...6.5
Accuracy / deviations		
Correction factor		glass: 0.4 / water: 1 / ceramics: 0.2 / PVC: 0.2
Hysteresis	[% of Sr]	1...15
Switch-point drift	[% of Sr]	-15...15
Operating conditions		
Ambient temperature	[°C]	-25...80
Protection		IP 65
Tests / approvals		
EMC		EN 60947-5-2
Mechanical data		
Weight	[g]	72.575
Housing		Threaded type
Mounting		non-flush mountable
Dimensions	[mm]	M18 x 1
Thread designation		M18 x 1
Material		PBT; end cap: PC
Displays / operating elements		
Display	Switching status	1 x LED, yellow
Accessories		
Items supplied		lock nuts: 2 screwdriver: 1
Remarks		
Pack quantity		1 pcs.

KG3500



Capacitive sensor

KGE2008-FBOA/LS100AK

Electrical connection - plug

Connector: 1 x 1/2"; coding: C

