

# SACC-FP-F-M12-THR PP - Housing screw connection



1027678

<https://www.phoenixcontact.com/us/products/1027678>

Please be informed that the data shown in this PDF document is generated from our online catalog. Please find the complete data in the user documentation. Our general terms of use for downloads are valid.

Housing screw connection, Socket, M12-Push-Pull, Front mounting, M14 x 1, THR- und Wellenlötkontakte, Item is lead-free in accordance with RoHS II without Exemption 6c (Pb <0.1%)

## Your advantages

- Manufacturer-independent M12 push-pull locking system for maximum availability
- Easy and quick cabling of devices and systems in hard-to-reach areas
- Easy device integration, thanks to mechanical port screw connections with threaded fastening
- Flexible PCB assembly: two-piece connectors for wave and THR soldering
- Compatible with connectors with screw or push-in connection

## Commercial data

Item number	1027678
Packing unit	1 pc
Minimum order quantity	10 pc
Sales key	AB23
Product key	ABQAAI
GTIN	4055626533933
Weight per piece (including packing)	9.2 g
Weight per piece (excluding packing)	9.2 g
Customs tariff number	79070000
Country of origin	DE

## Technical data

### Notes

General	The electrical and mechanical data specified assume that the connector pair is correctly locked and mounted. If the connector is unlocked and if there is a danger of contamination, the connector must be sealed using a protective cap > IP54. Influences arising from litz wires, cables or PCB assembly must also be taken into consideration.
---------	--

### Product properties

Product type	Panel mounting base
Thread type	M12

### Connection data

Connection method	THR- und Wellenlötkontakte
-------------------	----------------------------

### Material specifications

Material	Brass, nickel-plated
Flammability rating according to UL 94	V0
Seal material	FKM
Material of grip body	Brass, nickel-plated
Material for screw connection	Brass, nickel-plated

### Connector

#### Connection 1

Head design	Socket
Head thread type	M12
Head locking type	Push-Pull

### Mechanical properties

#### Mechanical data

Insertion/withdrawal cycles	> 100
-----------------------------	-------

### Environmental and real-life conditions

#### Ambient conditions

Degree of protection (when plugged in)	IP67 (correctly plugged in and locked)
Degree of protection	IP67 (correctly plugged in and locked)
	IP67, when in locked state
Ambient temperature (operation)	-25 °C ... 85 °C (Plug / socket)
	-40 °C ... 85 °C (without mechanical actuation)

### Standards and regulations

M12

# SACC-FP-F-M12-THR PP - Housing screw connection



1027678

<https://www.phoenixcontact.com/us/products/1027678>

Standard designation	M12 connector
Standards/specifications	IEC 61076-2-010
Note	Push-pull (type 2)

## Mounting

Mounting type	Front mounting M14 x 1
Connection method	THR- und Wellenlötkontakte

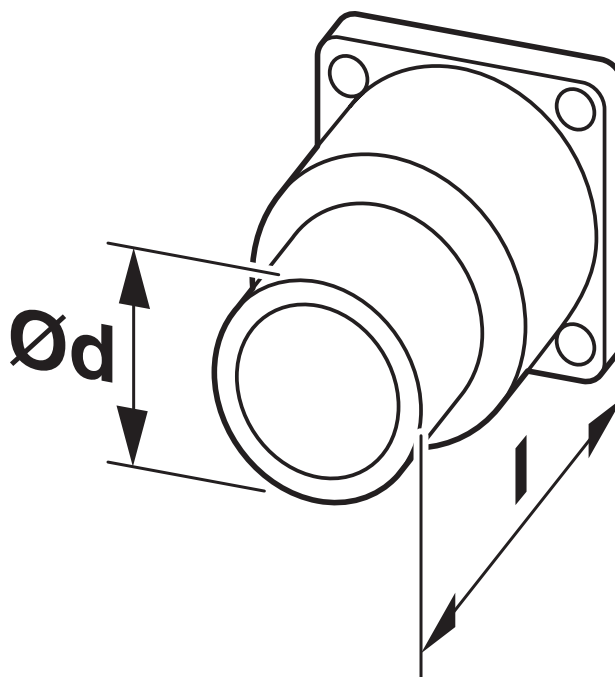
# SACC-FP-F-M12-THR PP - Housing screw connection

1027678

<https://www.phoenixcontact.com/us/products/1027678>

## Drawings

Dimensional drawing



Technical drawings can be found under Downloads

# SACC-FP-F-M12-THR PP - Housing screw connection



1027678

<https://www.phoenixcontact.com/us/products/1027678>

## Classifications

### ECLASS

ECLASS-11.0	27440224
ECLASS-12.0	27440224
ECLASS-13.0	27440224

### ETIM

ETIM 9.0	EC003556
----------	----------

### UNSPSC

UNSPSC 21.0	39121400
-------------	----------

# SACC-FP-F-M12-THR PP - Housing screw connection



1027678

<https://www.phoenixcontact.com/us/products/1027678>

## Environmental product compliance

China RoHS	Environmentally friendly use period: unlimited = EFUP-e No hazardous substances above threshold values
------------	---

Phoenix Contact 2024 © - all rights reserved  
<https://www.phoenixcontact.com>

Phoenix Contact USA  
586 Fulling Mill Road  
Middletown, PA 17057, United States  
(+717) 944-1300  
[info@phoenixcon.com](mailto:info@phoenixcon.com)