

# EV-T1CCS-MF-M4X10-BIT-CTS - Repair kit



1085802

<https://www.phoenixcontact.com/us/products/1085802>

Please be informed that the data shown in this PDF document is generated from our online catalog. Please find the complete data in the user documentation. Our general terms of use for downloads are valid.

CHARX connect professional, Repair kit, Accessories, with DC contact holder with integrated front part of the DC contacts, with replaceable mating face frame, with 5x M4X10 flat-head screws with Torx safety drive (IPR TORX PLUS® with special bit (867/4 IPR TORX PLUS® bit, 20 IPR x 89 mm) for insulated screwdriver, for replacement of the mating face frame of vehicle charging connectors, CCS type 1, IEC 62196-3-1, SAE J1772, Screw mounting, housing: black, Replacement without draining the coolant

## Product description

Repair kit with replaceable mating face frame for CCS type 1 HPC DC vehicle connector

## Your advantages

- Complete product range
- Developed and produced in accordance with the IATF 16949 automotive standard and ISO 9001
- Maintenance-friendly replacement of the mating face frame without draining the coolant

## Commercial data

Item number	1085802
Packing unit	1 pc
Minimum order quantity	1 pc
Sales key	EM01
Product key	XWBAFB
GTIN	4055626875729
Weight per piece (including packing)	278.7 g
Weight per piece (excluding packing)	278.7 g
Customs tariff number	85389099
Country of origin	DE

# EV-T1CCS-MF-M4X10-BIT-CTS - Repair kit



1085802


<https://www.phoenixcontact.com/us/products/1085802>

## Technical data

### Notes

General	Replacement without draining the coolant
General	The vehicle connector housing does not have to be opened in order to replace the mating face frame.

### Product properties

Product type	Repair kit
Product family	CHARX connect professional
Application	for replacement of the mating face frame of vehicle charging connectors
Type	Accessories
Design	with DC contact holder with integrated front part of the DC contacts with replaceable mating face frame with 5x M4X10 flat-head screws with Torx safety drive (IPR TORX PLUS®  ) with special bit (867/4 IPR TORX PLUS® bit, 20 IPR x 89 mm) for insulated screwdriver
Technology	Combined Charging System High Power Charging
Charging standard	CCS type 1
Charging mode	Mode 4

### Material specifications

Color (Housing)	black (9005)
Material (Housing)	Plastic

### Environmental and real-life conditions

#### Ambient conditions

Ambient temperature (operation)	-30 °C ... 50 °C
Ambient temperature (storage/transport)	-40 °C ... 80 °C

### Standards and regulations

#### Standards

Standards/regulations	IEC 62196-3-1 SAE J1772
-----------------------	----------------------------

### Mounting

Mounting type	Screw mounting
---------------	----------------

# EV-T1CCS-MF-M4X10-BIT-CTS - Repair kit

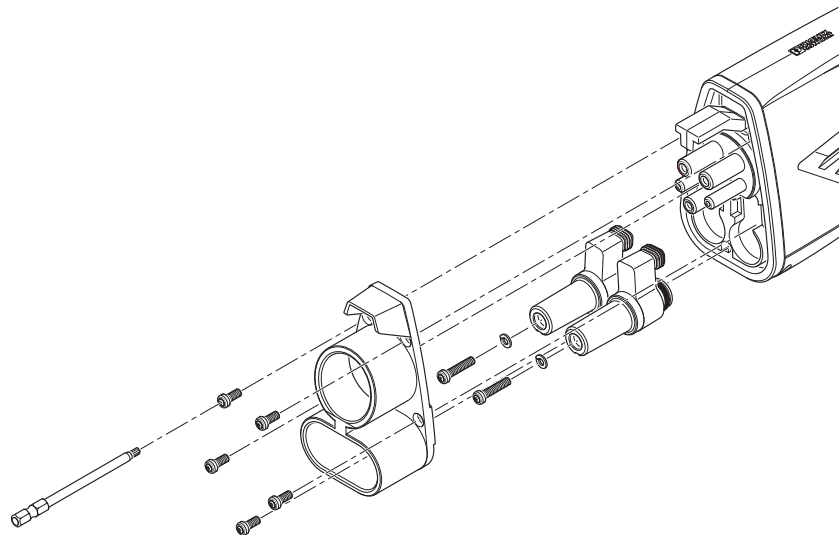


1085802

<https://www.phoenixcontact.com/us/products/1085802>

## Drawings

Schematic diagram



Assembly drawing

# EV-T1CCS-MF-M4X10-BIT-CTS - Repair kit



1085802

<https://www.phoenixcontact.com/us/products/1085802>

## Classifications

### ECLASS

ECLASS-11.0	27144792
ECLASS-12.0	27144792
ECLASS-13.0	27144792

### ETIM

ETIM 9.0	EC002884
----------	----------

### UNSPSC

UNSPSC 21.0	39121500
-------------	----------

# EV-T1CCS-MF-M4X10-BIT-CTS - Repair kit



1085802

<https://www.phoenixcontact.com/us/products/1085802>

## Environmental product compliance

China RoHS	Environmentally friendly use period: unlimited = EFUP-e
	No hazardous substances above threshold values

# EV-T1CCS-MF-M4X10-BIT-CTS - Repair kit



1085802

<https://www.phoenixcontact.com/us/products/1085802>

## Accessories

### TSD-M 3NM - Torque screwdriver

1212225

<https://www.phoenixcontact.com/us/products/1212225>



Torque screw driver, accuracy as per EN ISO 6789 standard, adjustable from 1.2 - 3 Nm

---

Phoenix Contact 2024 © - all rights reserved  
<https://www.phoenixcontact.com>

Phoenix Contact USA  
586 Fulling Mill Road  
Middletown, PA 17057, United States  
(+717) 944-1300  
[info@phoenixcon.com](mailto:info@phoenixcon.com)