



Wiring kit spring-type Electrical and mechanical Including mechanical interlocking for reversing starter Size S0

General technical data		
product brand name		SIRIUS
product designation		wiring kit reversing contactors S0, spring-loaded terminal
design of the product		actuating voltage contactor: AC and DC
size of contactor		S0
Installation/ mounting/ dimensions		
fastening method		clip-on
Certificates/ approvals		
General Product Approval	Declaration of Conformity	Shipping Approval



[Miscellaneous](#)



Shipping Approval	other
  	<p>Confirmation</p>

Further information

Information- and Downloadcenter (Catalogs, Brochures,...)

<https://www.siemens.com/ic10>

Industry Mall (Online ordering system)

<https://mall.industry.siemens.com/mall/en/en/Catalog/product?mlfb=3RA2923-2AA2>

Cax online generator

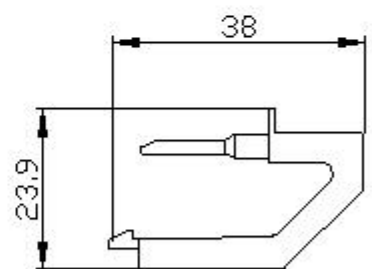
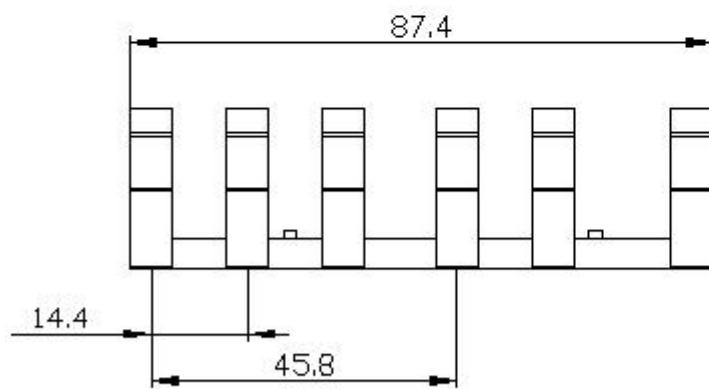
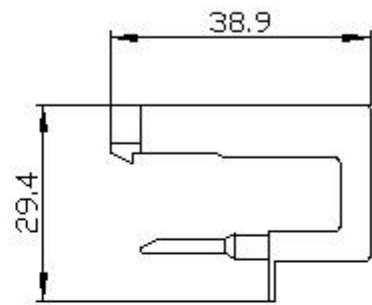
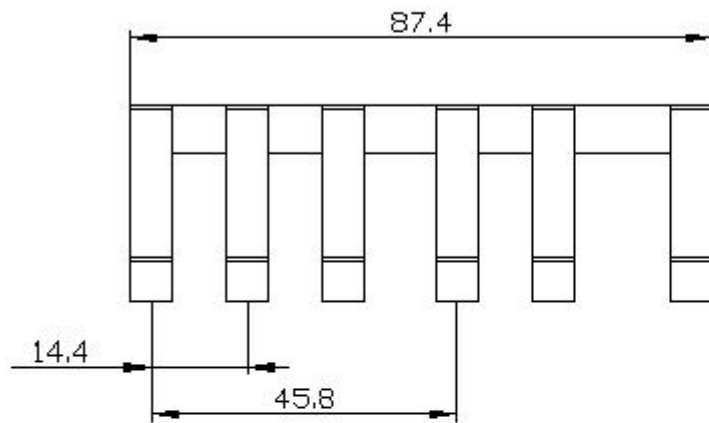
<http://support.automation.siemens.com/WW/CAXorder/default.aspx?lang=en&mlfb=3RA2923-2AA2>

Service&Support (Manuals, Certificates, Characteristics, FAQs,...)

<https://support.industry.siemens.com/cs/ww/en/ps/3RA2923-2AA2>

Image database (product images, 2D dimension drawings, 3D models, device circuit diagrams, EPLAN macros, ...)

http://www.automation.siemens.com/bilddb/cax_de.aspx?mlfb=3RA2923-2AA2&lang=en



last modified:

5/15/2020 