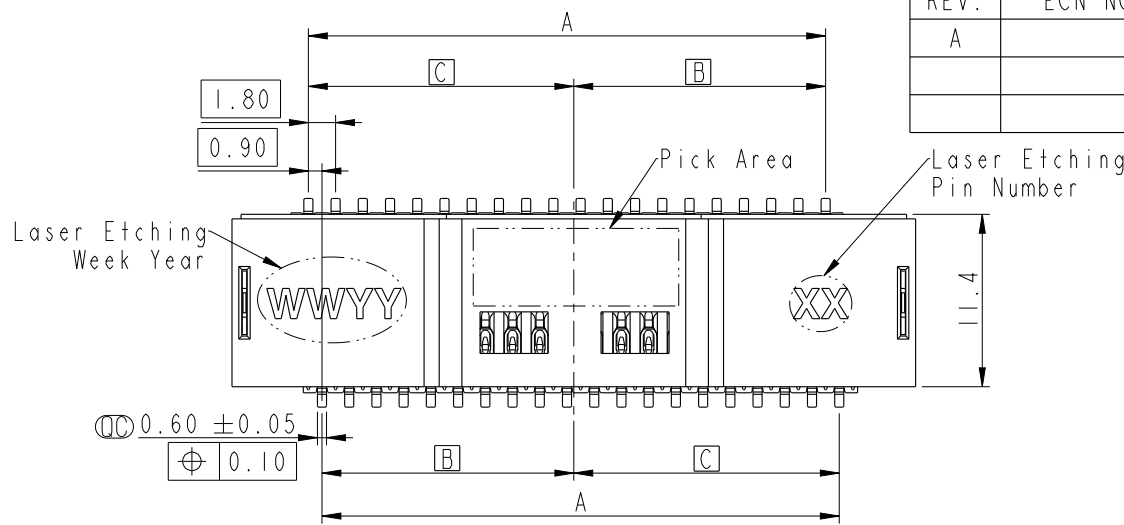
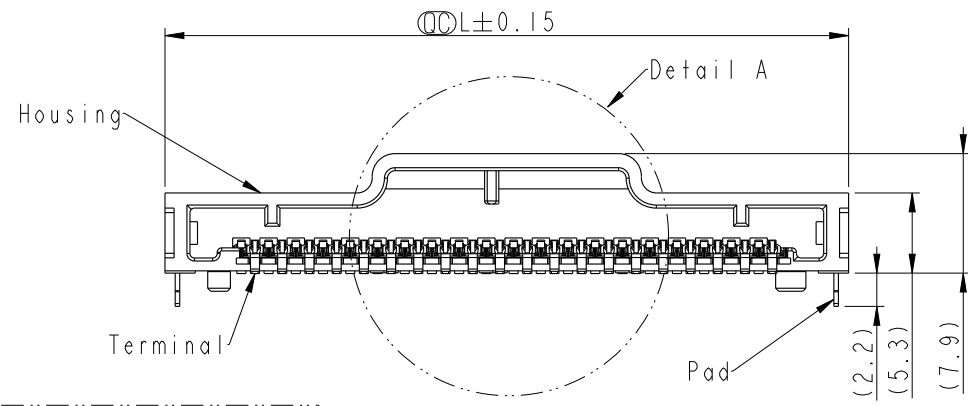


THIS DOCUMENT IS SUBJECT TO CHANGE WITHOUT NOTICE. IT IS CONFIDENTIAL AND A PROPERTY OF Amphenol LTW. DISCLOSURE TO THIRD PARTY HAS TO BE AUTHORIZED BY Amphenol LTW.

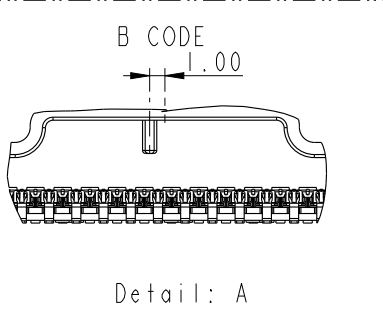
REV.	ECN NO.	DATE	SIGN	DESCRIPTION
A		2023/01/11	Xiaofeng	New Initial



ZCONNECT SIZE				
PIN	L(mm)	A(mm)	B(mm)	C(mm)
36	41.6	30.6	14.85	15.75
38	43.4	32.4	16.65	15.75
40	45.2	34.2	16.65	17.55



Z2BI-XX AFRS-BA0001
 XX-Number of Contacts



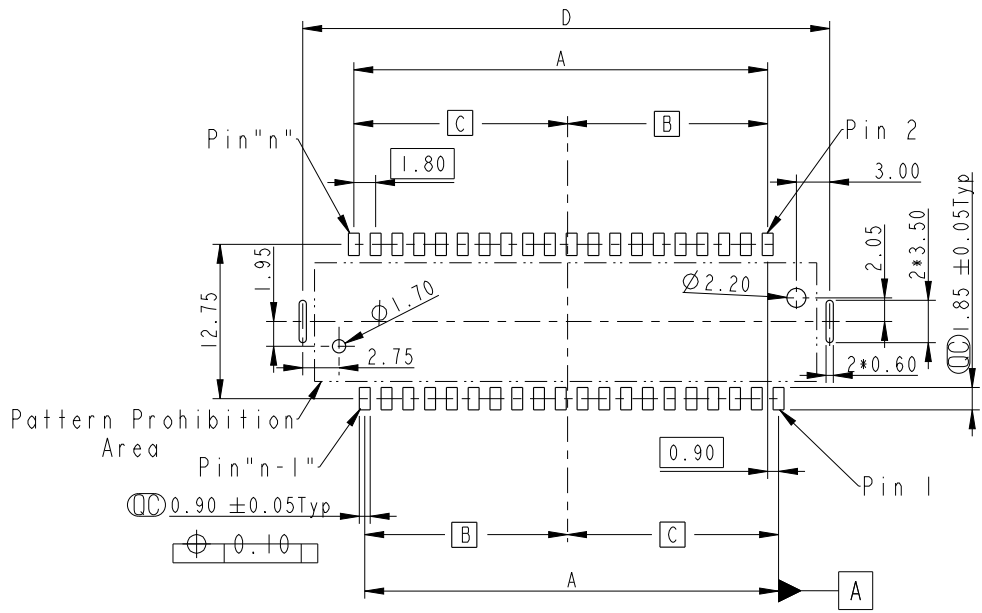
Note:
 * \varnothing Important Dimensions To Check.
 * Housing: Thermoplastic·Black.
 * Terminal: Copper Alloy·Gold Plated.
 * Pad: Metal.

UNIT: mm	\varnothing	∇	TITLE Z CONN., N SHLD, P 0.9, F SMD
TOLERANCE .X ±0.25 .XX ±0.1 .XXX ±0.05 ANGLES ±1°	SCALE 1:1	SIZE A4	SHEET 1 OF 4
REV. A	WC-REV. .0	\varnothing : Inspection item	

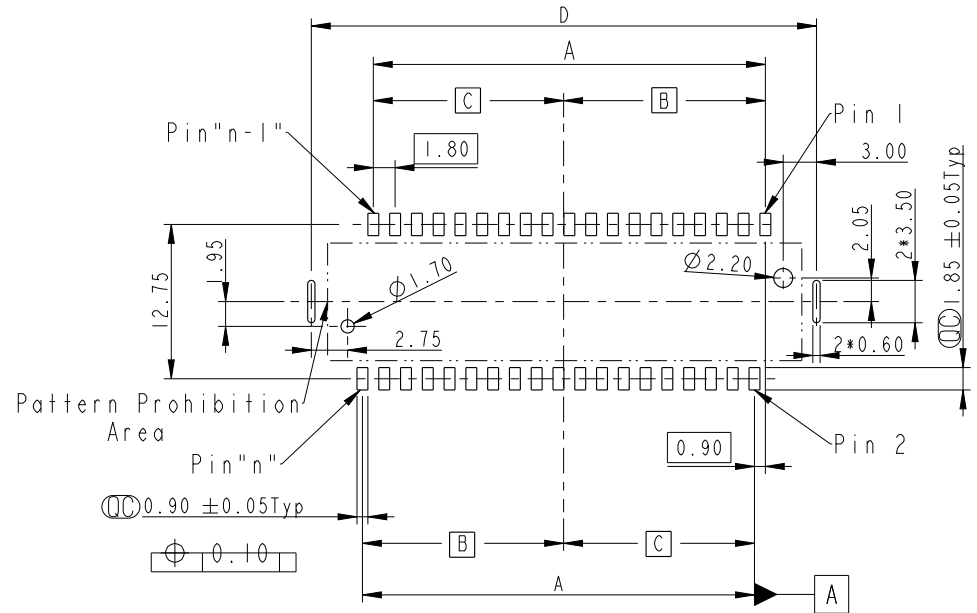
Amphenol LTW
 安費諾亮泰企業股份有限公司

ITEM NO.	DRAWN BY Xiaofeng	DATE 2023/01/11
DWG NO. Z2BI-XXAFRS-BA0001	CHECKED BY Feng-Li	DATE 2023/01/11
CUSTOMER ALTW	APPROVED BY Jerry	DATE 2023/01/11

THIS DOCUMENT IS SUBJECT TO CHANGE WITHOUT NOTICE. IT IS CONFIDENTIAL AND A PROPERTY OF Amphenol LTW. DISCLOSURE TO THIRD PARTY HAS TO BE AUTHORIZED BY Amphenol LTW.



RECOMMENDED PCB LAYOUT



RECOMMENDED PCB LAYOUT

PCB LAYOUT SIZE

PIN	A(mm)	B(mm)	C(mm)	D(mm)
36	30.6	14.85	15.75	39.95
40	34.2	16.65	17.55	43.55

PCB LAYOUT SIZE

PIN	A(mm)	B(mm)	C(mm)	D(mm)
38	32.4	16.65	15.75	41.75

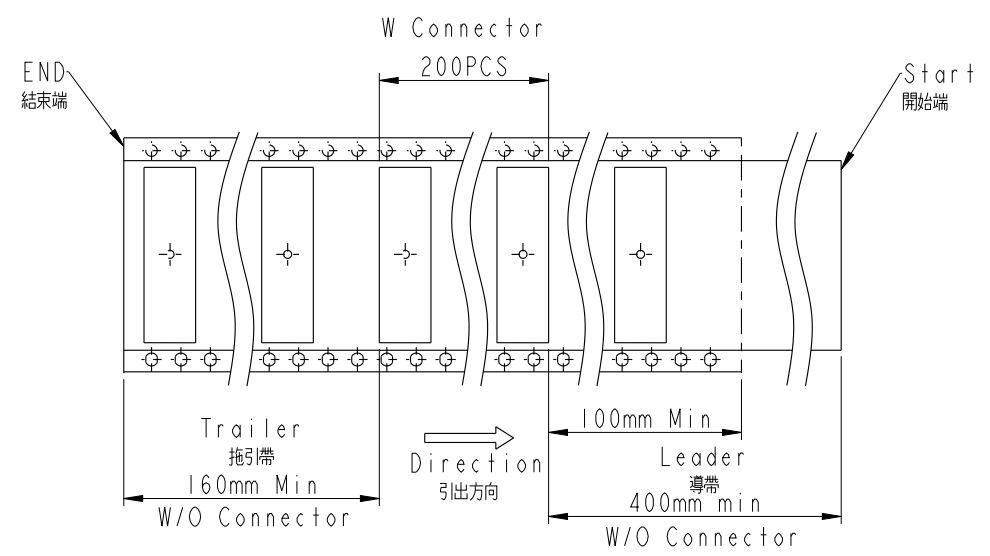
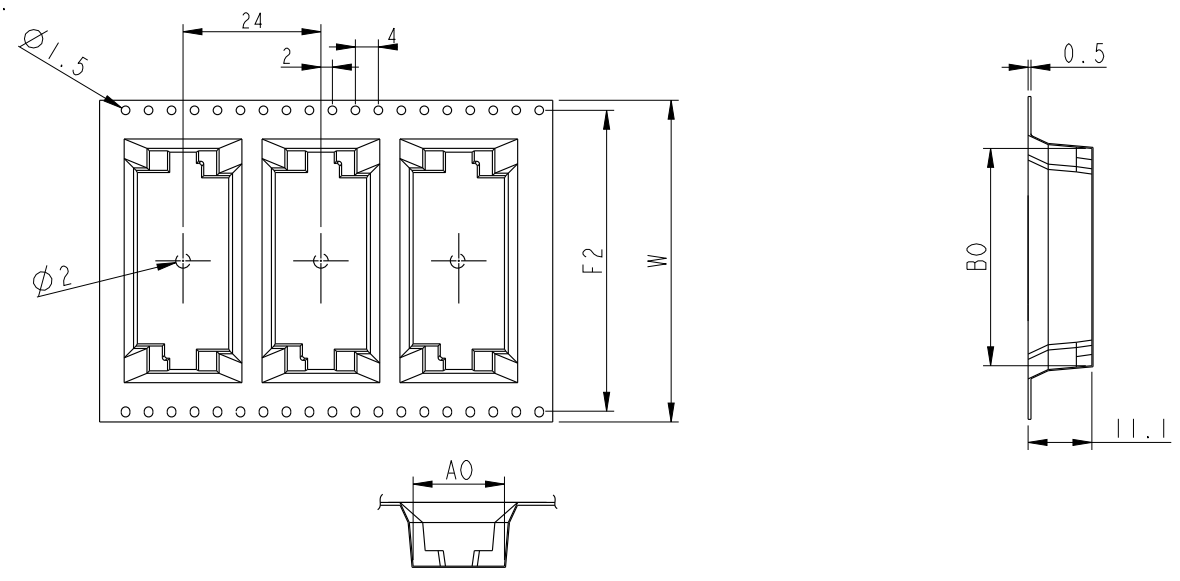
UNIT: mm	Z CONN., N SHLD, P 0.9, F SMD	
	SCALE: 1:1	SHEET 2 OF 4
	REV. A	WC-REV. .0

Amphenol LTW
安費諾亮泰企業股份有限公司

ITEM NO	DRAWN BY	DATE
DWG NO	CHECKED BY	DATE
CUSTOMER	APPROVED BY	DATE

THIS DOCUMENT IS SUBJECT TO CHANGE WITHOUT NOTICE. IT IS CONFIDENTIAL AND A PROPERTY OF AMPHENOL LTW. DISCLOSURE TO THIRD PARTY HAS TO BE AUTHORIZED BY AMPHENOL LTW.

Packing:



PIN	B0(mm)	W(mm)	F2(mm)	A0(mm)
36	41.9	72	68.4	
38	43.7			
40	45.5			

UNIT: mm

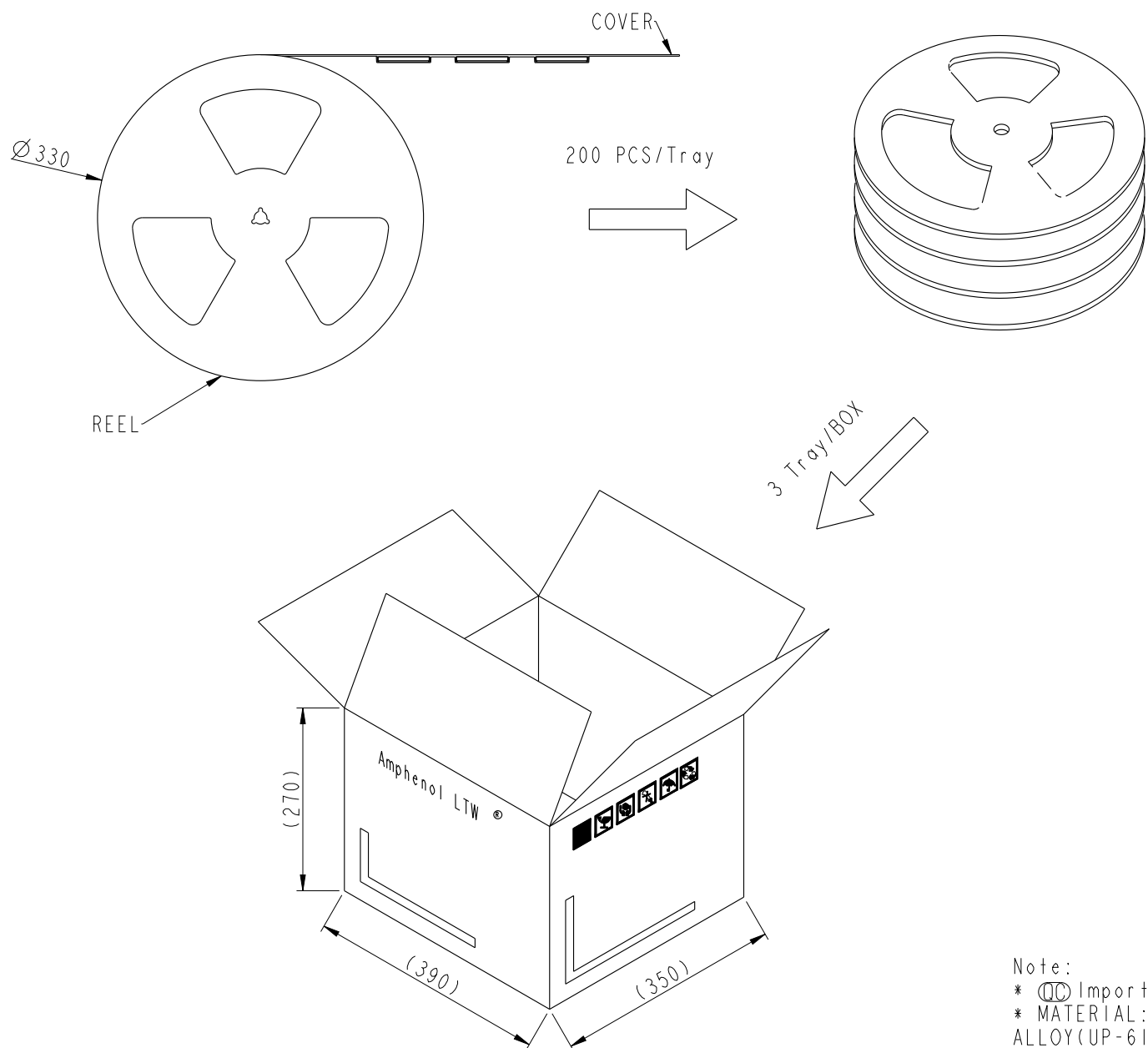
TOLERANCE	
.X	±0.25
.XX	±0.1
.XXX	±0.05
ANGLES	±1°

TITLE Z CONN., N SHLD, P 0.9, F SMD			
SCALE 1:1	SIZE A4	SHEET 3 OF 4	
REV. A	WC-REV. .0	☉: Inspection item	

Amphenol LTW
安費諾亮泰企業股份有限公司

ITEM NO	DRAWN BY Xiaofeng	DATE 2023/01/11
DWG NO Z2B1-XXAFRS-BA0001	CHECKED BY Feng-Li	DATE 2023/01/11
CUSTOMER ALTW	APPROVED BY Jerry	DATE 2023/01/11

THIS DOCUMENT IS SUBJECT TO CHANGE WITHOUT NOTICE. IT IS CONFIDENTIAL AND A PROPERTY OF Amphenol LTW. DISCLOSURE TO THIRD PARTY HAS TO BE AUTHORIZED BY Amphenol LTW.



Note:
 * \varnothing Important Dimensions To Check.
 * MATERIAL: BLACK CONDUCTIVE POLYSTYRENE ALLOY(UP-6100).

A	UNIT:mm			TITLE Z CONN., N SHLD, P 0.9, F SMD			ITEM NO		DRAWN BY Xiaofeng		DATE 2023/01/11	
	TOLERANCE .X ±0.25 .XX ±0.1 .XXX ±0.05 ANGLES ±1°	SCALE 2:1	SIZE A4	SHEET 4	OF 4	DWG NO Z2B1-XXAFRS-BA0001		CHECKED BY Feng-Li		DATE 2023/01/11		
	REV. A	WC-REV. .0	QC: Inspection item		CUSTOMER ALTW		APPROVED BY Jerry		DATE 2023/01/11			
	2	3	4	5	6	7	8	W10814-03-2001A2				

Amphenol LTW
 安費諾亮泰企業股份有限公司