	Date	28-Jul-2022	SPECIFICATION	OLE WOLFF
	Page	1 / 7		www.owolff.com
	DK	P/N: OWS-1330TA-8		Revision: 00



SPECIFICATION FOR APPROVAL

Speaker

Part Number	OWS-1330TA-8
Note	This item was compliance with the following requirements: 1. RoHS directive 2. REACH
Customer P/N	


		Prepared	Checked	Approved
Ole Wolff	Signature / Date	WANGMENGHUA 2022.07.28		

		Confirmation		
Customer	Signature / Date			

REVISION NOTES:

Date	Rev.	Description of Revision
2022.07.28	00	Initial Release

OLE WOLFF ELEKTRONIK A/S Roedengvej 25 4180 Soroe Denmark TEL: +45 57833830 FAX: +45 57820019	OLE WOLFF ELECTRONICS INC. 1525 McCarthy Blvd, Suite 1093 Milpitas, Ca 95035 USA TEL : +1 408 888 8413	OLEWOLFF ELEKTRONIK GmbH Schulstrasse 15A. DE-25451 Quickborn. Germany TEL: +49 (0) 4106 765900 FAX: +49 (0) 4106 627297	OLEWOLFF ELECTRONICS 3 Bedford Street, Woburn, Bedfordshire MK17 9QB, ENGLAND TEL: +44 (0) 1525 290755 FAX: +44 (0) 1525 290855	OLE WOLFF ELEKTRONIK Yliopistonkatu 26 (P.O.BOX 257) FI-40101 Jyväskylä Finland TEL: +358 14 338 3050 FAX: +358 14 338 3059	OLE WOLFF (ASIA) LTD. Unit B, 19/F, Bold Win Ind. Bldg., No. 16-18 Wah Sing St., Kwai Chung, N.T., H.K. TEL: +852 2424 3274 FAX: +852 2424 2219	OLE WOLFF LTD. 5 Floor, Block G, WenTao Industrial Park, YingRenShi, Bao'an District, Shenzhen City, Guangdong Province, PRC. TEL: +86 755 82612542 TEL: +86 755 26406156
---	--	--	---	--	---	---

	Date	28-Jul-2022	SPECIFICATION	OLE WOLFF
	Page	2 / 7		www.owolff.com
	DK	P/N: OWS-1330TA-8		Revision: 00

1. SCOPE

THIS SPECIFICATION IS APPLIED FOR A DYNAMIC SPEAKER.

2. TEST CONDITIONS

TEMPERATURE : 18°C ~ 22°C

HUMIDITY : 65% +/-5% (R.H.)

ATMOSPHERE : 860 ~ 1060 hPa

3. GENERAL REQUIREMENTS

OPERATING TEMPERATURE RANGE: -20° C ~ 60° C

STORAGE TEMPERATUR RANGE: -30° C ~ 60° C

4. MECANICAL LAYOUT & DIMENSIONS


DIMENSIONS : SHOWN IN FIGURE.3

NET WEIGHT: approx 0.8g

5. ELECTRICAL AND ACOUSTICAL CHARACTERISTICS

1	Resonance Frequency	1050± 20% Hz
2	Impedance	8 ± 15%Ω
3	Sensitivity	84±3 dB(0.1W/0.1M) AVERAGE AT 1.0, 1.2, 1.5, 2.0 KHz
4	Input Power	(Nom./Max.): 0.5 W / 0.8 W
5	Effective Frequency Range	700Hz~5KHz
6	Total Harmonic Distortion (THD)	< 5% at 2KHz,0.1W
7	Buzz & Rattle	2V 700Hz ~5KHz
8	Magnet	NdFeB φ6.8 x1.0t mm

OLE WOLFF ELEKTRONIK A/S Roedengvej 25 4180 Soroe Denmark TEL: +45 57833830 FAX: +45 57820019	OLE WOLFF ELECTRONICS INC. 1525 McCarthy Blvd, Suite 1093 Milpitas, Ca 95035 USA TEL : +1 408 888 8413	OLEWOLFF ELEKTRONIK GmbH Schulstrasse 15A. DE-25451 Quickborn. Germany TEL: +49 (0) 4106 765900 FAX: +49 (0) 4106 627297	OLEWOLFF ELECTRONICS 3 Bedford Street, Woburn, Bedfordshire MK17 9QB, ENGLAND TEL: +44 (0) 1525 290755 FAX: +44 (0) 1525 290855	OLE WOLFF ELEKTRONIK Yliopistonkatu 26 (P.O.BOX 257) FI-40101 Jyväskylä Finland TEL: +358 14 338 3050 FAX: +358 14 338 3059	OLE WOLFF (ASIA) LTD. Unit B, 19/F, Bold Win Ind. Bldg., No. 16-18 Wah Sing St., Kwai Chung, N.T., H.K. TEL: +852 2424 3274 FAX: +852 2424 2219	OLE WOLFF LTD. 5 Floor, Block G, WenTao Industrial Park, YingRenShi, Bao'an District, Shenzhen City, Guangdong Province, PRC. TEL: +86 755 82612542 TEL: +86 755 26406156
---	--	--	---	--	---	---

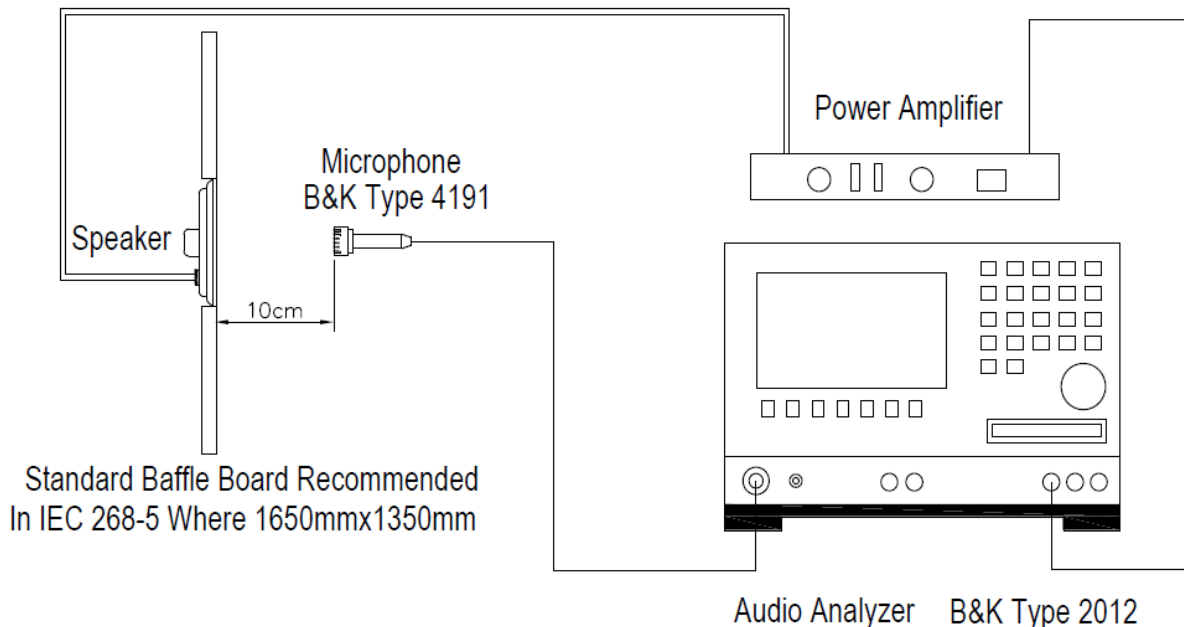
	Date	28-Jul-2022	SPECIFICATION	OLE WOLFF
	Page	3 / 7		www.owolff.com
	DK	P/N: OWS-1330TA-8		Revision: 00

6. RELIABILITY TEST REQUIREMENTS.

After any following tests the S.P.L should not deviate more than $\pm 3\text{dB}$ from initial value.		
N o.	ITEMS	TEST CONDITION
1.	High Temp. Test	Keep 96 hours at $+60^{\circ}\text{C} \pm 3^{\circ}\text{C}$ and leave 3 hours in normal temperature and then check
2.	Low Temp. Test	Keep 96 hours at $-30^{\circ}\text{C} \pm 3^{\circ}\text{C}$ and leave 3 hours in normal temperature and then check
3.	Humidity Test	Keep 96 hours at $+40^{\circ}\text{C} \pm 3^{\circ}\text{C}$ relative humidity 95% and leave 3 hours in normal temperature and then check
4.	Thermal cycle Test	Low temperature: $-30 \pm 3^{\circ}\text{C}$, High temperature: $+60 \pm 3^{\circ}\text{C}$, cycle: 1hour/cycle, total 5 cycles.
5.	Vibration Test	10~55~10Hz sin-wave sweep 15min.5G(constant);X,Y,Z 3 direction,2hours each, total 6 hours.
6.	Drop Test	Free drop a unit from 100cm height to 20mm thick board.6 directions, total 6 times.
7.	Load Test	Rated Power white noise is applied for 96 hours
8.	Max Power Test	Max Power 1min on, 2min off, 10cycles.
9.	Terminal strength Test	Capable of withstand 1kg load for 15seconds without resulting in any damage or rejection

7. MEASUREMENT CIRCUIT (FIG.1)

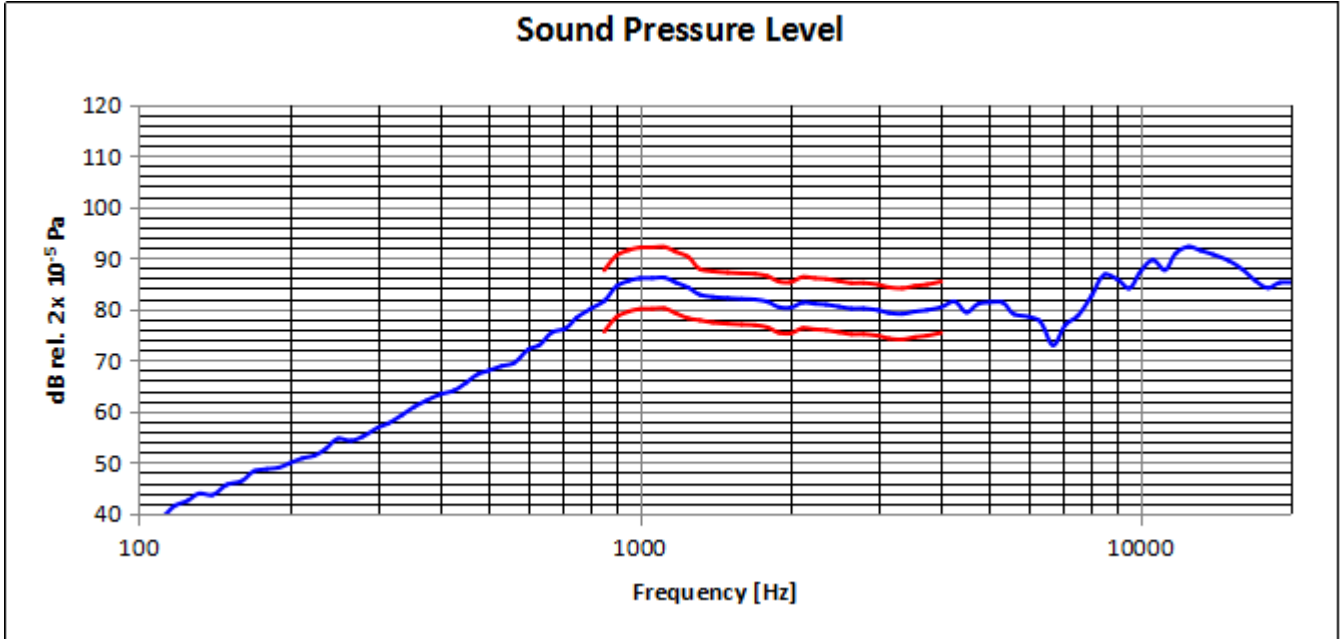
Standard test condition of speaker



OLE WOLFF ELEKTRONIK A/S Roedengvej 25 4180 Soroe Denmark TEL: +45 57833830 FAX: +45 57820019	OLE WOLFF ELECTRONICS INC. 1525 McCarthy Blvd, Suite 1093 Milpitas, Ca 95035 USA TEL: +1 408 888 8413	OLEWOLFF ELEKTRONIK GmbH Schulstrasse 15A. DE-25451 Quickborn. Germany TEL: +49 (0) 4106 765900 FAX: +49 (0) 4106 627297	OLEWOLFF ELECTRONICS 3 Bedford Street, Woburn, Bedfordshire MK17 9QB, ENGLAND TEL: +44 (0) 1525 290755 FAX: +44 (0) 1525 290855	OLE WOLFF ELEKTRONIK Yliopistonkatu 26 (P.O.BOX 257) FI-40101 Jyväskylä Finland TEL: +358 14 338 3050 FAX: +358 14 338 3059	OLE WOLFF (ASIA) LTD. Unit B, 19/F, Bold Win Ind. Bldg., No. 16-18 Wah Sing St., Kwai Chung, N.T., H.K. TEL: +852 2424 3274 FAX: +852 2424 2219	OLE WOLFF LTD. 5 Floor, Block G, WenTao Industrial Park, YingRenShi, Bao'an District, Shenzhen City, Guangdong Province, PRC. TEL: +86 755 82612542 TEL: +86 755 26406156
---	---	--	---	--	---	---


	Date	28-Jul-2022	SPECIFICATION	OLE WOLFF
	Page	4 / 7		www.owolff.com
	DK	P/N: OWS-1330TA-8		Revision: 00

8. STANDARD FREQUENCY RESPONSE CURVE(Fig.2)



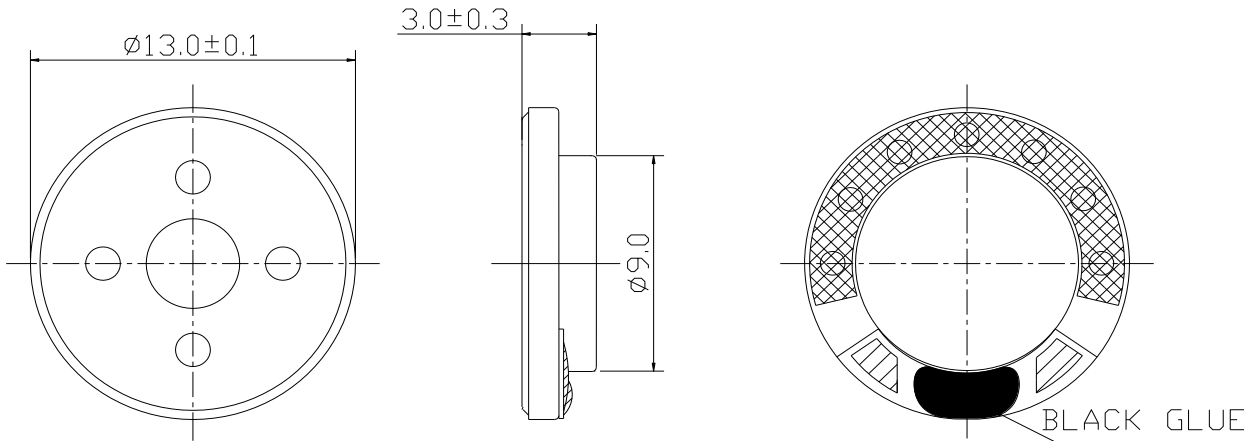
Hz	850~1250	1320~4000
dB	±6	±5

OLE WOLFF ELEKTRONIK A/S Roedengvej 25 4180 Soroe Denmark TEL: +45 57833830 FAX: +45 57820019	OLE WOLFF ELECTRONICS INC. 1525 McCarthy Blvd, Suite 1093 Milpitas, Ca 95035 USA TEL: +1 408 888 8413	OLEWOLFF ELEKTRONIK GmbH Schulstrasse 15A, DE-25451 Quickborn, Germany TEL: +49 (0) 4106 765900 FAX: +49 (0) 4106 627297	OLEWOLFF ELECTRONICS 3 Bedford Street, Woburn, Bedfordshire MK17 9QB, ENGLAND TEL: +44 (0) 1525 290755 FAX: +44 (0) 1525 290855	OLE WOLFF ELEKTRONIK Yliopistonkatu 26 (P.O.BOX 257) FI-40101 Jyväskylä Finland TEL: +358 14 338 3050 FAX: +358 14 338 3059	OLE WOLFF (ASIA) LTD. Unit B, 19/F, Bold Win Ind. Bldg., No. 16-18 Wah Sing St., Kwai Chung, N.T., H.K. TEL: +852 2424 3274 FAX: +852 2424 2219	OLE WOLFF LTD. 5 Floor, Block G, WenTao Industrial Park, YingRenShi, Bao'an District, Shenzhen City, Guangdong Province, PRC. TEL: +86 755 82612542 TEL: +86 755 26406156
---	---	--	---	--	---	---


	Date	28-Jul-2022	SPECIFICATION	OLE WOLFF
	Page	5 / 7		www.owolff.com
	DK	P/N: OWS-1330TA-8		Revision: 00

9. OUTVIEW (Fig.3)

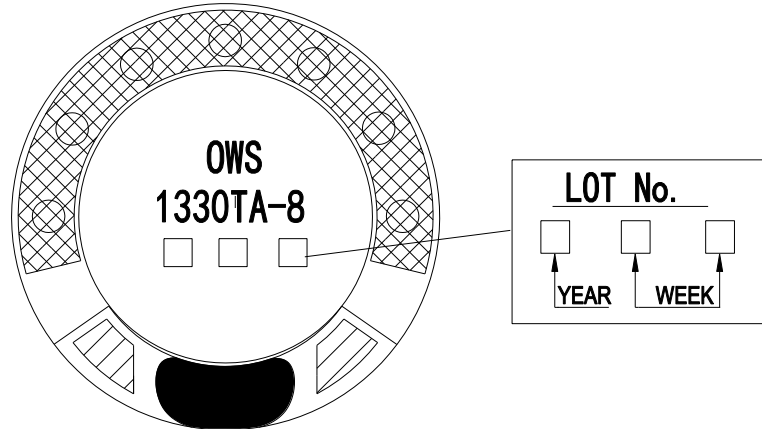
Unless otherwise specified, tolerance: ± 0.3 (unit: mm)



<p>OLE WOLFF ELEKTRONIK A/S Roedengvej 25 4180 Soroe Denmark</p> <p>TEL: +45 57833830 FAX: +45 57820019</p>	<p>OLE WOLFF ELECTRONICS INC. 1525 McCarthy Blvd, Suite 1093 Milpitas, Ca 95035 USA</p> <p>TEL: +1 408 888 8413</p>	<p>OLEWOLFF ELEKTRONIK GmbH Schulstrasse 15A. DE-25451 Quickborn. Germany</p> <p>TEL: +49 (0) 4106 765900 FAX: +49 (0) 4106 627297</p>	<p>OLEWOLFF ELECTRONICS 3 Bedford Street, Woburn, Bedfordshire MK17 9QB, ENGLAND</p> <p>TEL: +44 (0) 1525 290755 FAX: +44 (0) 1525 290855</p>	<p>OLE WOLFF ELEKTRONIK Yliopistonkatu 26 (P.O.BOX 257) FI-40101 Jyväskylä Finland</p> <p>TEL: +358 14 338 3050 FAX: +358 14 338 3059</p>	<p>OLE WOLFF (ASIA) LTD. Unit B, 19/F, Bold Win Ind. Bldg., No. 16-18 Wah Sing St., Kwai Chung, N.T., H.K.</p> <p>TEL: +852 2424 3274 FAX: +852 2424 2219</p>	<p>OLE WOLFF LTD. 5 Floor, Block G, WenTao Industrial Park, YingRenShi, Bao'an District, Shenzhen City, Guangdong Province, PRC.</p> <p>TEL: +86 755 82612542 TEL: +86 755 26406156</p>
---	---	--	---	---	---	---


	Date	28-Jul-2022	SPECIFICATION	OLE WOLFF
	Page	6 / 7		www.owolff.com
	DK	P/N: OWS-1330TA-8		Revision: 00

10. MARKING (Fig.4)

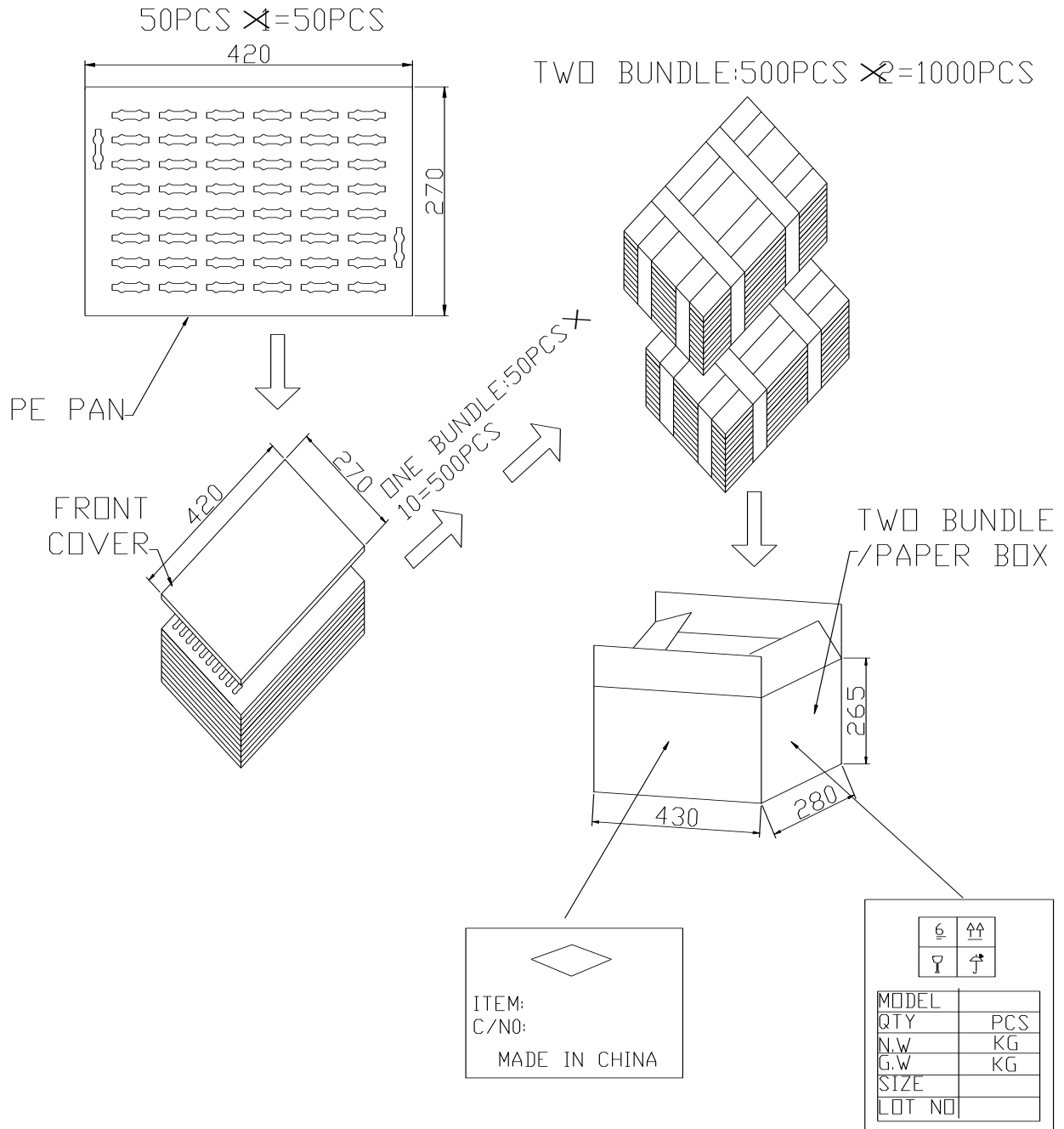


YEAR		WEEK	
year	marking	week	marking
2015	5	1	01
2016	6	2	02
2017	7	3	03
2018	8	4	04
2019	9	5	05
2020	0	↓	↓
2021	1		
2022	2		
		50	50
		51	51
		52	52
		53	53

<p>OLE WOLFF ELEKTRONIK A/S Roedengvej 25 4180 Soroe Denmark</p> <p>TEL: +45 57833830 FAX: +45 57820019</p>	<p>OLE WOLFF ELECTRONICS INC. 1525 McCarthy Blvd, Suite 1093 Milpitas, Ca 95035 USA</p> <p>TEL: +1 408 888 8413</p>	<p>OLEWOLFF ELEKTRONIK GmbH Schulstrasse 15A. DE-25451 Quickborn. Germany</p> <p>TEL: +49 (0) 4106 765900 FAX: +49 (0) 4106 627297</p>	<p>OLEWOLFF ELECTRONICS 3 Bedford Street, Woburn, Bedfordshire MK17 9QB, ENGLAND</p> <p>TEL: +44 (0) 1525 290755 FAX: +44 (0) 1525 290855</p>	<p>OLE WOLFF ELEKTRONIK Yliopistonkatu 26 (P.O.BOX 257) FI-40101 Jyväskylä Finland</p> <p>TEL: +358 14 338 3050 FAX: +358 14 338 3059</p>	<p>OLE WOLFF (ASIA) LTD. Unit B, 19/F, Bold Win Ind. Bldg., No. 16-18 Wah Sing St., Kwai Chung, N.T., H.K.</p> <p>TEL: +852 2424 3274 FAX: +852 2424 2219</p>	<p>OLE WOLFF LTD. 5 Floor, Block G, WenTao Industrial Park, YingRenShi, Bao'an District, Shenzhen City, Guangdong Province, PRC.</p> <p>TEL: +86 755 82612542 TEL: +86 755 26406156</p>
---	---	--	---	---	---	---

	Date	28-Jul-2022	SPECIFICATION	OLE WOLFF
	Page	7 / 7		www.owolff.com
	DK	P/N: OWS-1330TA-8	Revision: 00	

11. PACKING(Fig.5)



OLE WOLFF ELEKTRONIK A/S Roedengvej 25 4180 Soroe Denmark TEL: +45 57833830 FAX: +45 57820019	OLE WOLFF ELECTRONICS INC. 1525 McCarthy Blvd, Suite 1093 Milpitas, Ca 95035 USA TEL: +1 408 888 8413	OLEWOLFF ELEKTRONIK GmbH Schulstrasse 15A. DE-25451 Quickborn. Germany TEL: +49 (0) 4106 765900 FAX: +49 (0) 4106 627297	OLEWOLFF ELECTRONICS 3 Bedford Street, Woburn, Bedfordshire MK17 9QB, ENGLAND TEL: +44 (0) 1525 290755 FAX: +44 (0) 1525 290855	OLE WOLFF ELEKTRONIK Yliopistonkatu 26 (P.O.BOX 257) FI-40101 Jyväskylä Finland TEL: +358 14 338 3050 FAX: +358 14 338 3059	OLE WOLFF (ASIA) LTD. Unit B, 19/F, Bold Win Ind. Bldg., No. 16-18 Wah Sing St., Kwai Chung, N.T., H.K. TEL: +852 2424 3274 FAX: +852 2424 2219	OLE WOLFF LTD. 5 Floor, Block G, WenTao Industrial Park, YingRenShi, Bao'an District, Shenzhen City, Guangdong Province, PRC. TEL: +86 755 82612542 TEL: +86 755 26406156
---	---	--	---	--	---	---