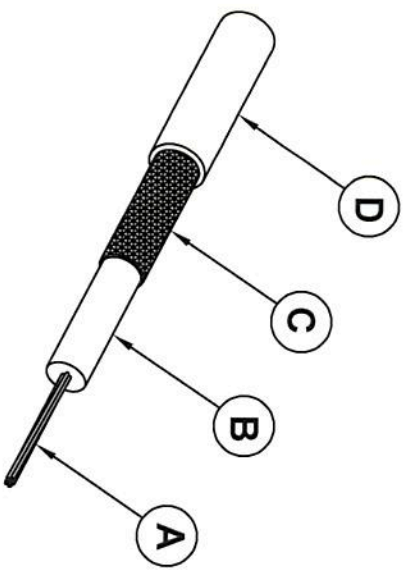


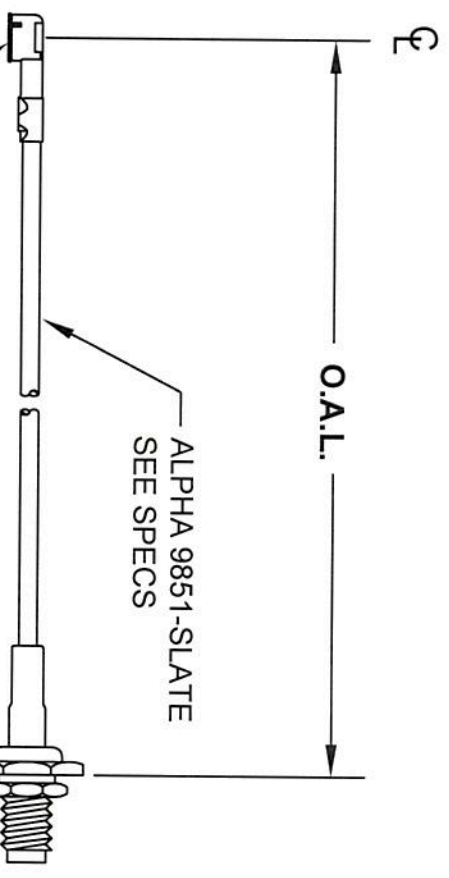
**ALPHA 9851 COAXIAL CABLE SPECS**



- CONSTRUCTION**
- A. CONDUCTOR: AWG 30 (7/38) SILVER PLATED COPPER CLAD STEEL, 0.012" NOMINAL
  - B. DIELECTRIC: FEP, .033" NOMINAL DIA.
  - C. SHIELD: AWG 40(1) SPC BRAIDED SHIELD
  - D. JACKET: SLATE FEP, 0.006" THICK, 0.058" +/- .003"

- REQUIREMENTS**
- 1. IMPEDANCE: 50 +/- 2 OHMS
  - 2. CAPACITANCE: 30 PF / FT NOM
  - 3. VELOCITY OF PROPAGATION: 69% OF AIR NOM
  - 4. ATTENUATION: 29dB/100FT NOM @ 400MHZ  
49dB/100FT (EST.) @ 1GHZ
  - 5. DIELECTRIC BREAKDOWN: 1,000 VOLTS

| REVISIONS |             |      |      |
|-----------|-------------|------|------|
| REV       | DESCRIPTION | DATE | APRV |
|           |             |      |      |



HIROSE  
H.F.L-LP-DFS111(01)  
HOUSING  
H.F.L-LP CONTACT

**CONFIDENTIAL**

THIS DRAWING AND THE SPECIFICATIONS CONTAINED HEREIN ARE THE PROPERTY OF KSM ELECTRONICS INC. AND MAY NOT BE REPRODUCED OR USED IN WHOLE OR IN PART AS THE BASIS FOR MANUFACTURE OR SALE OF PRODUCTS WITHOUT WRITTEN PERMISSION OF KSM ELECTRONICS INC.

NOTE: THIS DRAWING INCORPORATES THIRD ANGLE PROJECTION



**KSM Electronics Inc.** 6630 N.W. 16TH Terrace  
Ft. Lauderdale, FL 33309

**H.F.L TO SMAJ BULKHEAD CABLE ASSEMBLY**

|                             |                           |  |  |
|-----------------------------|---------------------------|--|--|
| DRAWN BY:<br>JOSHUA SALCEDO |                           | TITLE                                  |  |
| C. MURPHY                   |                           | H.F.L TO SMAJ BULKHEAD CABLE ASSEMBLY  |  |
| SIZE<br><b>A</b>            | CAGE CODE<br><b>67013</b> | DRAWING NUMBER<br><b>KSM-2899-REV-</b> |  |
| SCALE: NONE                 | WEIGHT                    | SHEET 1 OF 1                           |  |

