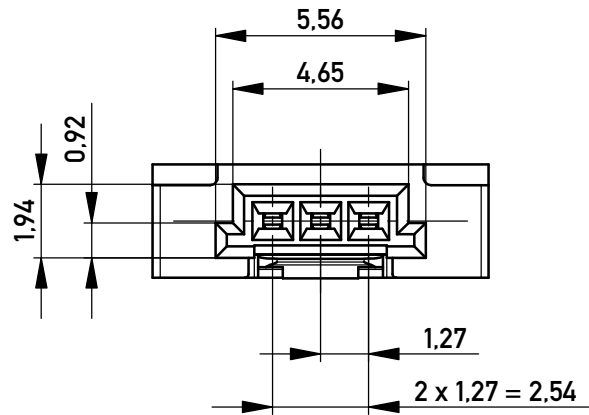
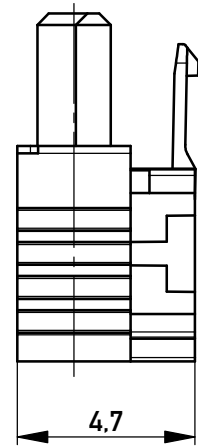


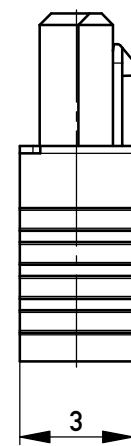
Kabelführung: rot  
cable guide: red



\* Federkontakt AWG 22 - Female Contact AWG 22  
Kabelführung  $\phi$ 1,27 - cable guide  $\phi$ 1,27

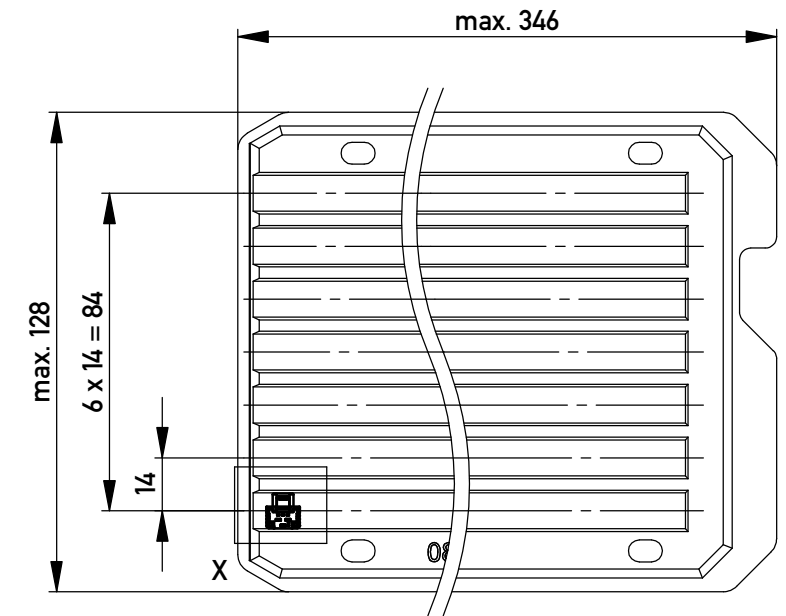


mit aufgesetzter  
Drahtführung  
(Anlieferungszustand)  
with wire guide mounted  
(state at time of supply)

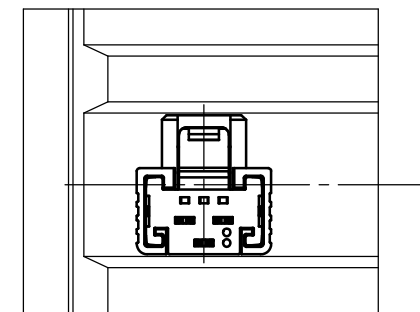


Drahtführung verpresst  
(wire guide pressed on)

Verpackt in Tray - tray packaging  
Verpackungseinheit 238 Stück - packaging unit 238 pcs



Einzelheit X - detail X  
M 2:1



nur mit Hilfsmittel lösbar, für Einzeladern  
only with tool unlockable, for single conductors

Information:	Tolerances	 All Dimensions in mm	Scale	5:1
			Designation	
All rights reserved. Only for Information. To ensure that this is the latest version of this drawing, please contact one of the ERNI companies before using.	Subject to modification without prior notice. Drawing will not be updated.	 www.ERNI.com	<b>1,27 SRC A SKV, 3-polig d=1,27</b> <b>1,27 SRC A IDC, 3-pin d=1,27</b>	
			<b>394968</b>	
Index	Date	Class	SRCA	I A3

Copyright by ERNI GmbH  
Proprietary notice pursuant to ISO 16016 to be observed.